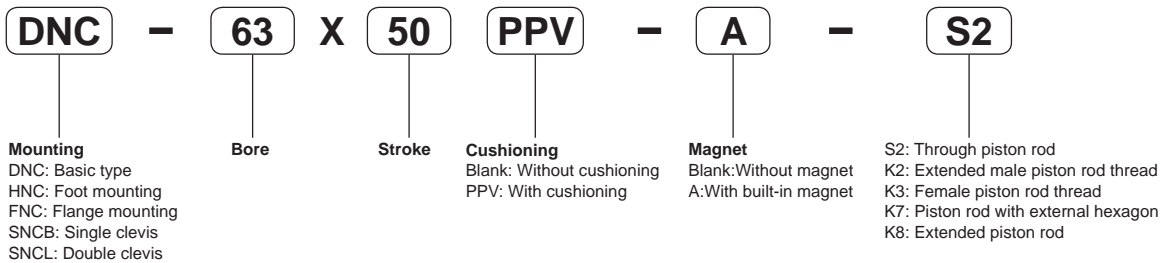


# DNC Series ISO6431 Standard Cylinder



## Ordering code



## Specifications

Bore (mm)	32	40	50	63	80	100	125
Fluid	Filtered air						
Operation	Double acting						
Proof pressure	1.5MPa						
Max. operating pressure	1.0MPa						
Min. operating pressure	0.1MPa						
Cushioning	Air cushioning (Standard)						
Ambient temperature	5~60℃						
Operating piston speed	50~500mm/s						
Allowable stroke tolerance	0~250 <sup>+1.0</sup> <sub>0</sub> 251~1000 <sup>+1.5</sup> <sub>0</sub> 1001~1500 <sup>+2.0</sup> <sub>0</sub>						
Operating life	Not less than 4000Km						
Lubrication	Not required						
Port size	1/8"	1/4"		3/8"		1/2"	

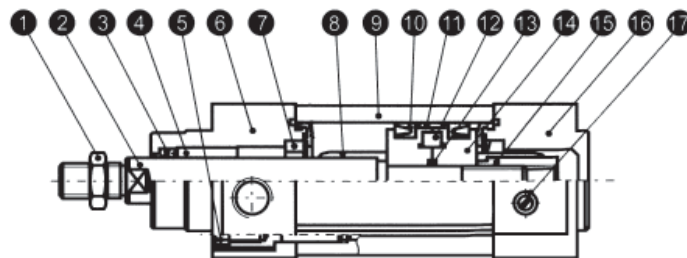
# DNC Series ISO6431 Standard Cylinder

## Stroke

Bore	Standard stroke	Cushioning length PPV	Max. stroke range
32	25 40 50 80	20	10~2000
40			
50	100 125 160	22	
63			
80	400 500	32	
100			

Bore	Min. stroke of proximity sensor	Type of proximity sensor
32	32	KCK2400C embedding type
40	40	
50	50	
63	63	
80	80	
100	100	

## Construction



## Component parts

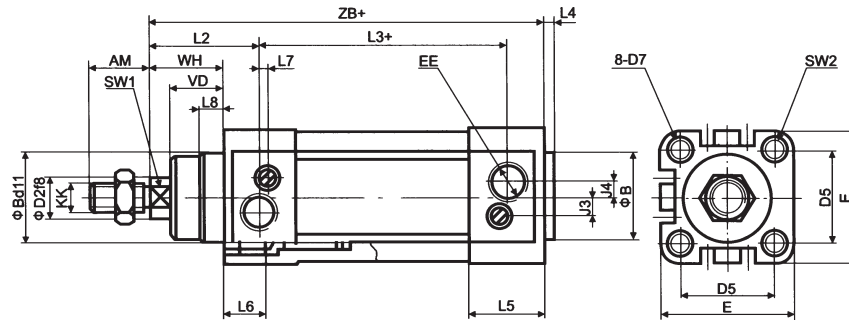
No.	Name	Material
1	Nut	35
2	Piston rod	45
3	Axes envelop	PU
4	Guide envelop	Sleeve bearing
5	Rod bolt	35
6	Front cover	ZZnAl4-1
7	Cushioning seal	NBR
8	Cushioning piston	POM

No.	Name	Material
9	Cylinder tube	A6063-TS
10	"Y"Ring	NBR
11	Washer	F4
12	Magnetic ring	Magnetic plastic
13	"O"Ring	NBR
14	Front and back piston	LY12
15	Compaction nut	LY12
16	Back cover	ZZnAl4-1
17	Adjustable valve pin	HPb59-1

# DNC Series ISO6431 Standard Cylinder

- Basic type
- Dimensions

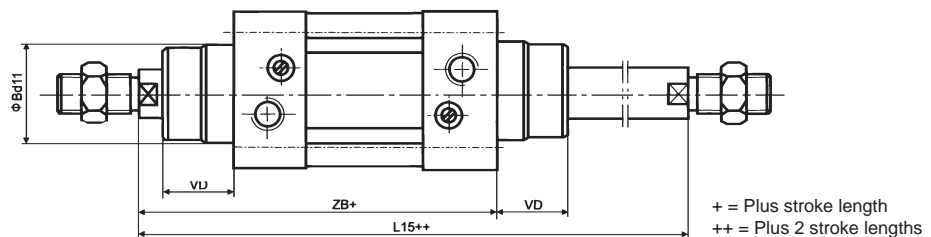
DNC...PPV-A



Bore	AM	B	D2	D5	D7	E	EE(G)	J3	J4	KK	L2	L3	L4	L5	L6	L7	L8	SW1	SW2	VD	WH	ZB
32	22	30	12	32.5	M6	45	1/8	6	5.2	M10×1.25	41.6	62.8	4	26	16	3.3	10	10	6	18	26	120
40	24	35	16	38	M6	54	1/4	8	6	M12×1.25	44	77	4	29.5	16	3.6	10.5	13	6	21.5	30	135
50	32	40	20	46.5	M8	64	1/4	10	8.5	M16×1.5	51	78	4	30	17	5.1	11.5	17	8	28	37	143
63	32	45	20	56.5	M8	75	3/8	12.4	10	M16×1.5	54	87	4	35.5	17	6.6	15	17	8	28.5	37	158
80	40	45	25	72	M10	94	3/8	12.5	8	M20×1.5	62.4	95.2	4	36	17	10.5	15.7	22	10	34.7	46	174
100	40	55	25	89	M10	112	1/2	11.8	10	M20×1.5	69.8	100.4	4	39	17	8	19.2	22	10	38.2	51	189
125	54	60	32	110	M12	134	1/2	13	8	M27×2	83	124	6	36	22	14	20.5	27	8	46	65	225

- Through piston rod type
- Dimensions

DNC...PPV-A-S2

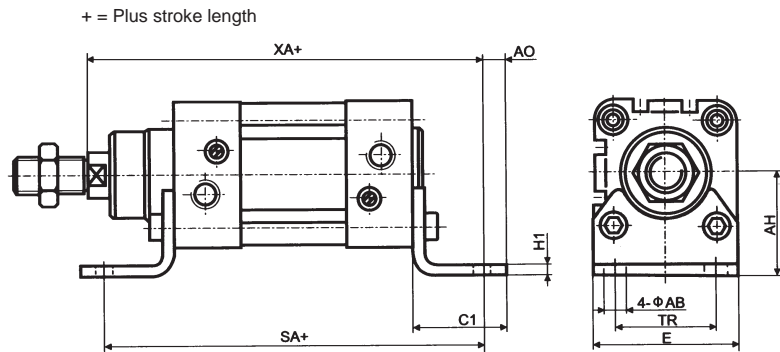


Bore	B	L15	VD	ZB
32	30	146	18	120
40	35	165	21.5	135
50	40	180	28	143
63	45	195	28.5	158
80	45	220	34.7	174
100	55	240	38.2	189
125	60	291	46	225

# DNC Series ISO6431 Standard Cylinder

## ● Dimensions

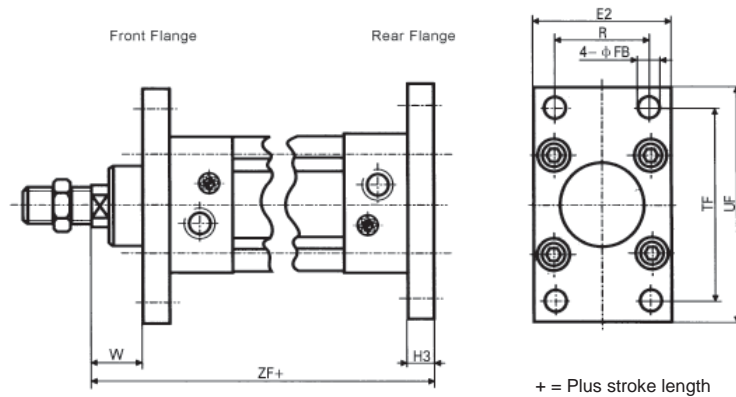
### HNC...PPV-A foot mounting



Bore	AB	AH	AO	C1	E	H1	SA	TR	XA
32	7	32	6.5	30.5	45	5	142	32	144
40	10	36	9	37	54	5	161	36	163
50	10	45	10.5	41.5	64	6	170	45	175
63	10	50	12.5	44.5	75	6	185	50	190
80	12	63	15	56	93	6	210	63	215
100	14.5	71	17.5	58.5	110	6	220	75	230

## ● Dimensions

### FNC...PPV-A flange mounting

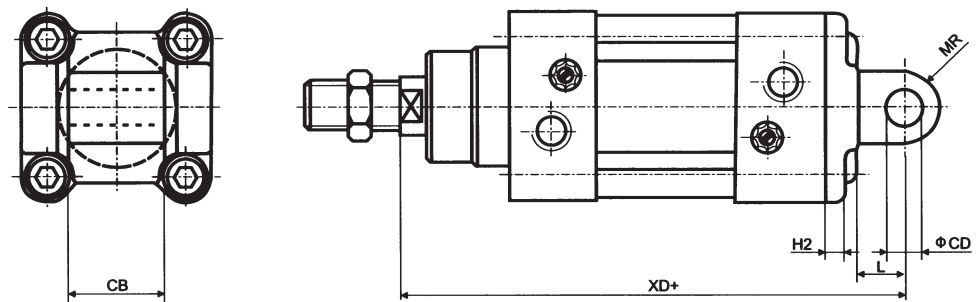


Bore	E2	FB H13	H3	R	TF	UF	W	ZF
32	50	7	10	32	64	80	16	130
40	55	9	10	36	72	90	20	145
50	65	9	12	45	90	110	25	155
63	75	9	12	50	100	125	25	170
80	100	12	16	63	126	154	30	190
100	120	14	16	75	150	186	35	205

# DNC Series ISO6431 Standard Cylinder

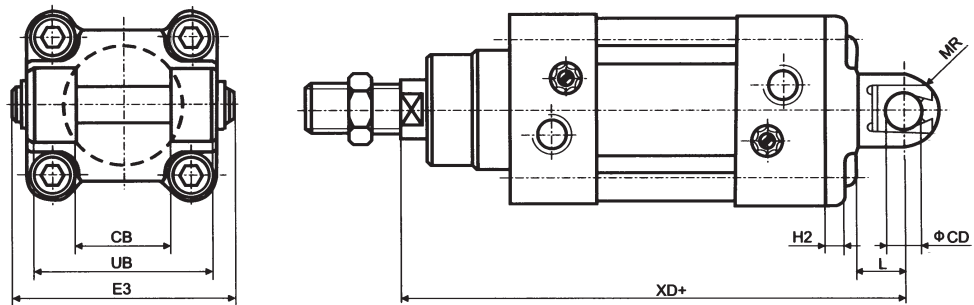
## ● Dimensions

### SNCB...PPV-A single clevis



+ = Plus stroke length

### SNCL...PPV-A double clevis



+ = Plus stroke length

Bore	CB	CD	E3	H2	L	MR	UB	XD
32	26	10	55	6	13	10	45	142
40	28	12	63	6	16	12	52	160
50	32	12	71	7	16	12	60	170
63	40	16	83	7	21	16	70	190
80	50	16	103	10.5	22	16	90	210
100	60	20	127	10.5	27	20	110	230