

www.eskavalve.com

ESKA



ESKA VALVE is gas equipment producer (Gas Pressure Regulators, Gas Filters and Valves) in Turkey since 1968. Our certified products are being used in civic and industrial areas all around the world.

For 50 years, our product portfolio, operations and ESKA VALVE family has grown and still keep growing. Ingenuity, reliability and hard work led us to be the market leader in Turkey and expanded our international operations in more than 30 countries in global scale. By the time you read this text , probably we will be reaching out another locations and placing our products into grids.

By examining, following and applying 133 national and international standards from our R&D Department library, and with our Quality Department's deep commitment to test each and every product on over 100 inspection-test points have made us to produce annually more than 1.000.000 accurate and reliable unit products which 52 gas distribution companies trust worldwide .

Hope to gain your trust and see you in our ever-growing family.

ESKA

ESKA

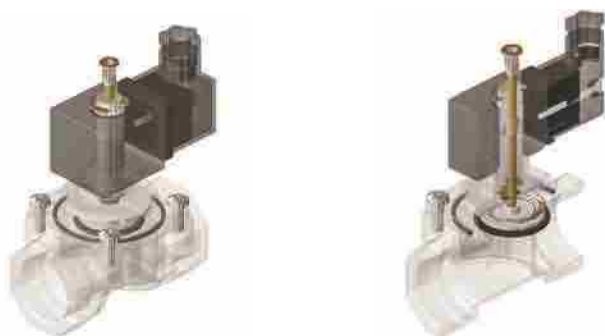
www.eskavalve.com



EGV
SERIES

INTRODUCTORY

These are the manually adjusted gas valves used with the safety purposes in the gas lines to automatically stop the gas flow by the effect of the signals given by the third party equipments such as gas alarm detectors, ventilation equipments etc.



EGV 1015 - 1020 - 1025



EGV 1032 - 1040 - 1050

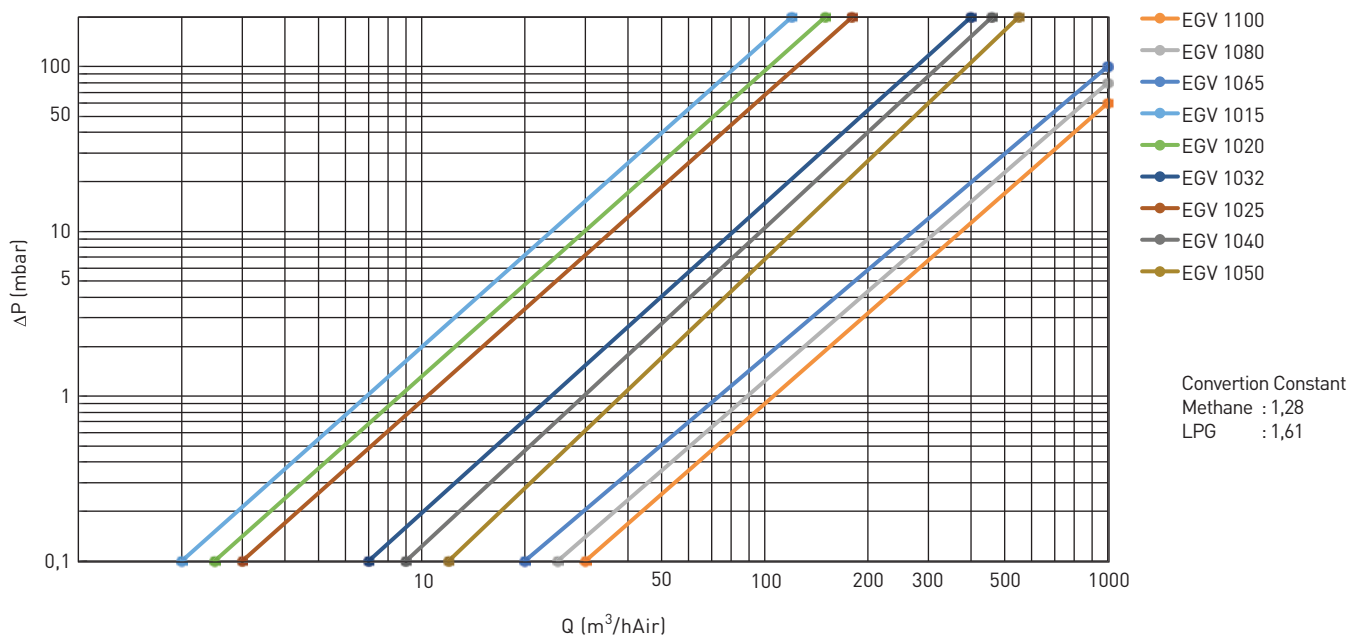


EGV 1065 - 1080 - 1100

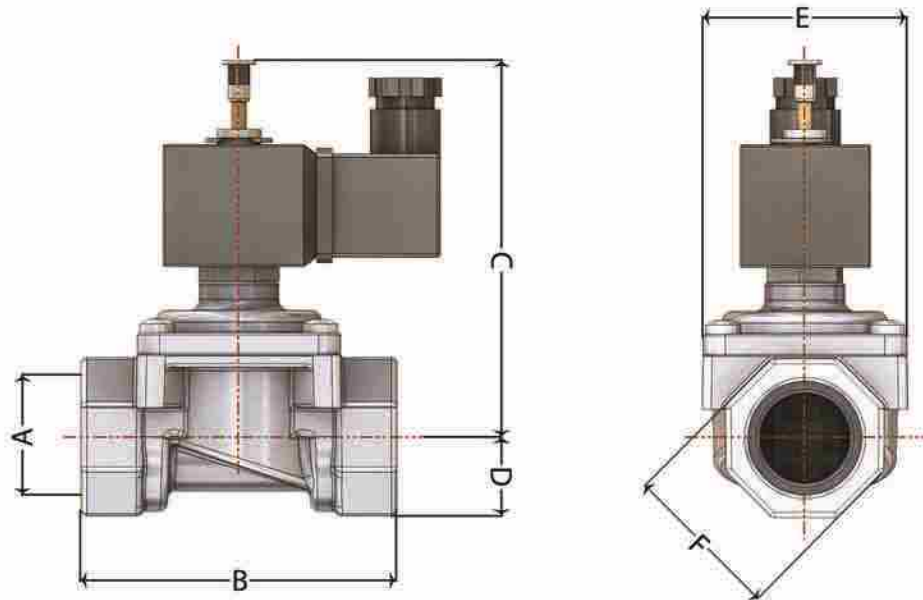
TECHNICAL INFORMATION

- Usage : City gas networks and gas pipelines in industrial areas
- Medium : Natural Gas (Methane), LPG, Town Gas, Air, etc...
- Position : Normally Open
- Connection or Port Size : 1/2", 3/4, 1", 1 1/4", 1 1/2", 2" Threaded (Female), DN65, DN80 DN100 Flanged
- Maximum Working Pressure : 0,5 bar
- Working Voltage Range : 12V, 220V AC or DC (On request other voltages)
- Ambient Temperature Range : -20°C up to 60°C
- Protection Class : IP54
- Voltage Tolerance : $\pm 10\%$
- Response Time : Less than 1 second
- Reset : Manually
- Material Standard : Aluminum-EN 1706 / Rubber-EN 549

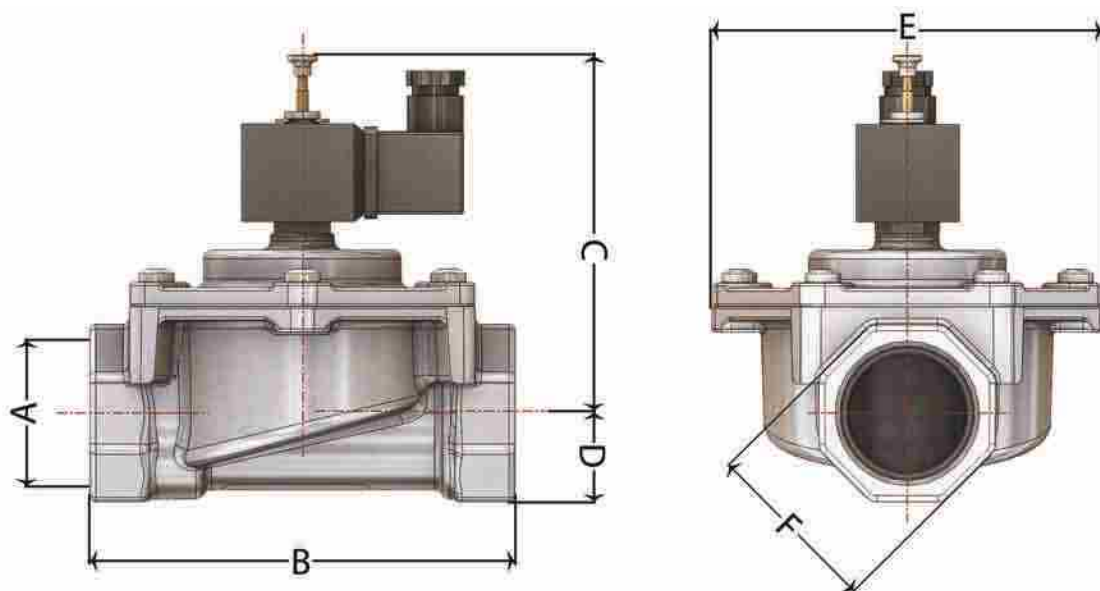
PRESSURE DROP GRAPH



DIMENSIONS

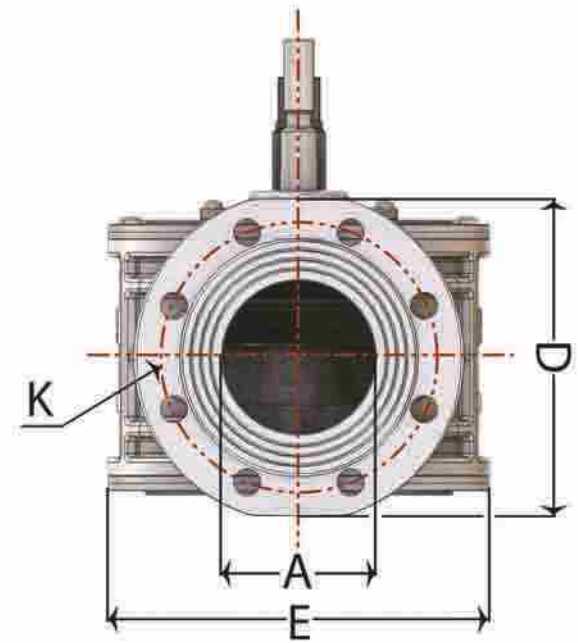
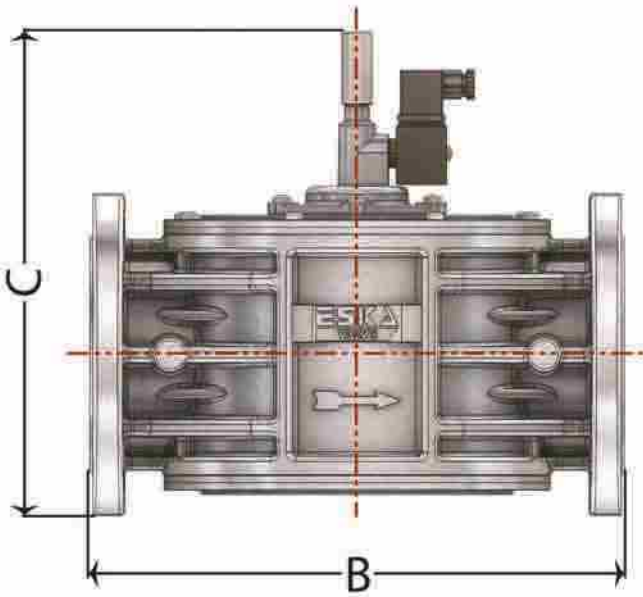
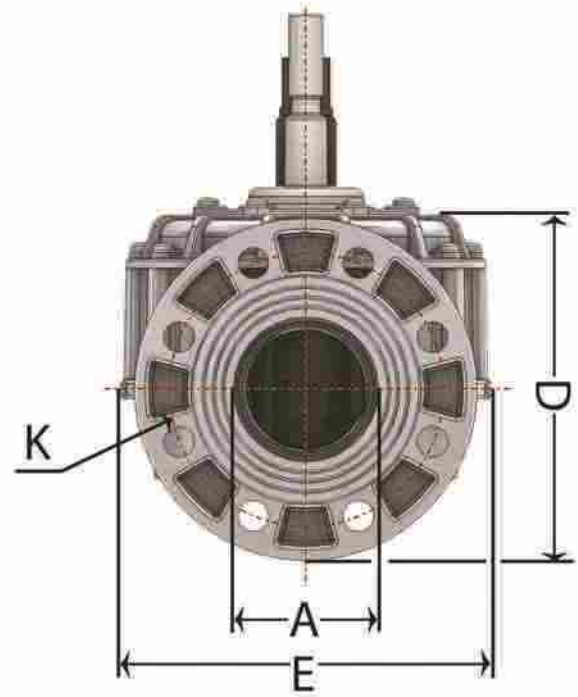
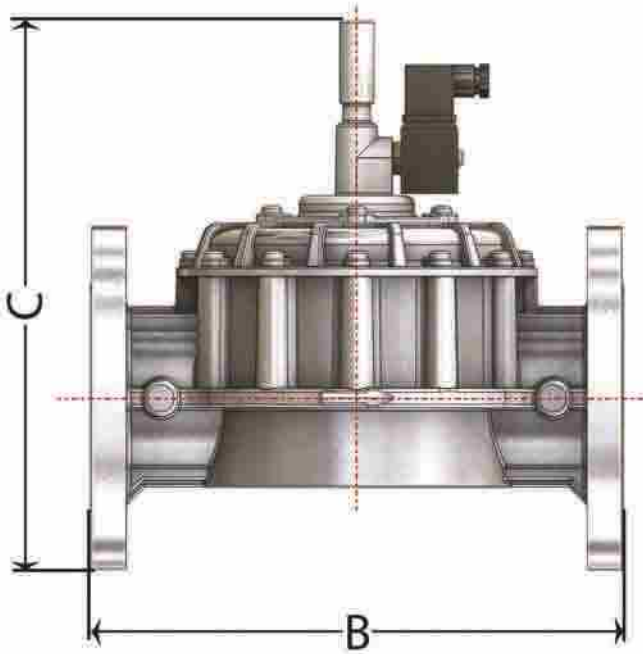


MODEL	DN	A	B	C	D	E	F
EGV 1015	15	1/2"	85,5	102	21,5	55	AA 43
EGV 1020	20	3/4"	85,5	102	21,5	55	AA 43
EGV 1025	25	1"	85,5	102	21,5	55	AA 43



MODEL	DN	A	B	C	D	E	F
EGV 1032	32	1 1/4"	144	125	30	133	AA 60
EGV 1040	40	1 1/2"	144	125	30	133	AA 60
EGV 1050	50	2"	144	127	35	133	AA 70

DIMENSIONS



MODEL	DN	A	B	C	D	E	K	Number of holes
EGV 1065	65	70	290	312	195	216	145	4
EGV 1080	80	85	310	320	203	216	160	8
EGV 1100	100	100	326	320	220	254	180	8



Eska Valve Ltd. Şti.

Şeyhli Mh. Sağlık Sk. No:10
Kurtköy - Pendik İSTANBUL

T. +90 (216) 313 38 52-54
F. +90 (216) 313 38 56

info@eskavalve.com
www.eskavalve.com

