



114TML



Application

- ✓ Boilers
- ✓ Heating systems
- ✓ Distillation devices

Special Features

- ✓ Indication of both pressure and temperature in one instrument
- ✓ Temperature pointer at center of dial (more accurate reading) Only for back connection

Description

InstruMate model 114TM provides you with the combined indication of pressure and temperature in a single instrument. This product, widely known as thermomanometer, finds its application mainly in heating systems and boilers.

Model 114TM offered both in lower connection and back connection is available in most popular pressure and temperature ranges for a thermomanometer.

2 in 1 products can barely have the efficiency of separate measuring instruments, but they are a good choice when you have space limitations or have to read the values in the same measuring point.

Default Specification

Nominal size in mm	
80	
Process Connection	Temperature Effect
Brass G ½ B Bottom connection: 114TML Center back connection: 114TMB	$\pm 0.04 \times (t_2 - t_1)$ % of the span t_1 is the Reference temperature in degrees celsius. t_2 is the Ambient temperature in degrees celsius.
Measuring Elements	Permissible Temperature
Pressure: Copper alloy Temperature: Bimetal coil	Ambient: -20...+60 °C Medium: +150 °C Maximum
Accuracy	Pressure units
Pressure: 2.5% of full scale Temperature: $\pm 3^\circ\text{C}$	Pressure: bar Temperature: °C
Pressure scale ranges (bar)	Temperature scale ranges(°C)
0...4, 0...6, 0...10, 0...16	0...120, 0...160, 0...200
Pressure Limitations	Pointer
75% of scale range Max	Aluminum, Black
Window	Dial
snap-in lens	Aluminum
Case	Movement
Black steel	Plated steel

114TML



Options

- ✓ Requested dial design
- ✓ Requested process connections other than stated in the table
- ✓ Single-way shut-off valve, made of brass

Shut-off valve

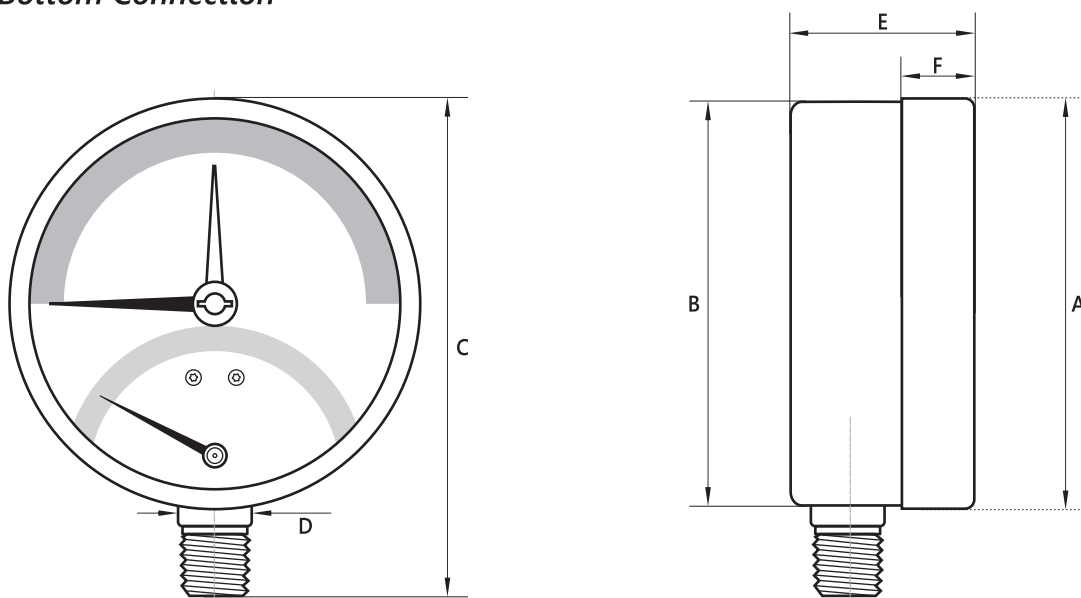
InstruMate thermomanometer has a single-way shut-off valve to be ordered separately which is self-sealing as you gradually unscrew the instrument.

This allows you dismantling the instrument without having to empty the heating circuit first.



Dimensions (in mm)

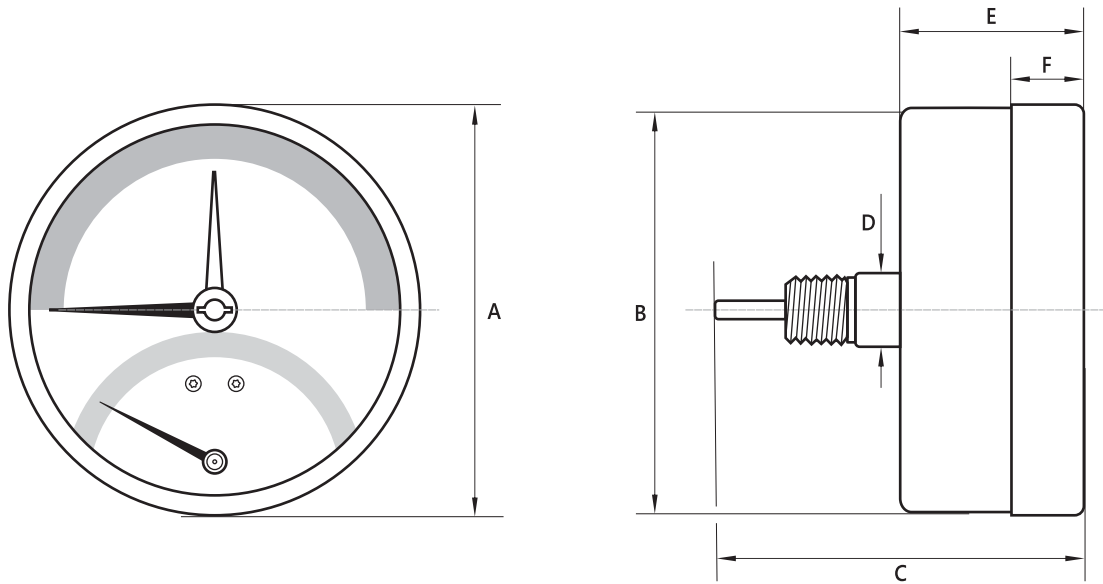
■ DS 80 Bottom Connection



114TML

Nominal Size	A	B	C	D	E	F	KG
80	80	78	91.5	14	32	13	0.15

■ DS 80 Center Back Connection



114TMB

Nominal Size	A	B	C	D	E	F	KG
80	80	79	59	14	31	13	0.15

How To Order

Product Group Name	Model	Mounting	Pressure scale range	Temperature scale range	Options
<i>Example:</i> Thermomanometer	114TM	L	0...4bar	0...120°C	Shut-off valve

Or simply order by item number on the basis of your previous purchases.

InstruMate®

InstruMate Co, Limited

www.Instrumate.com | info@Instrumate.com