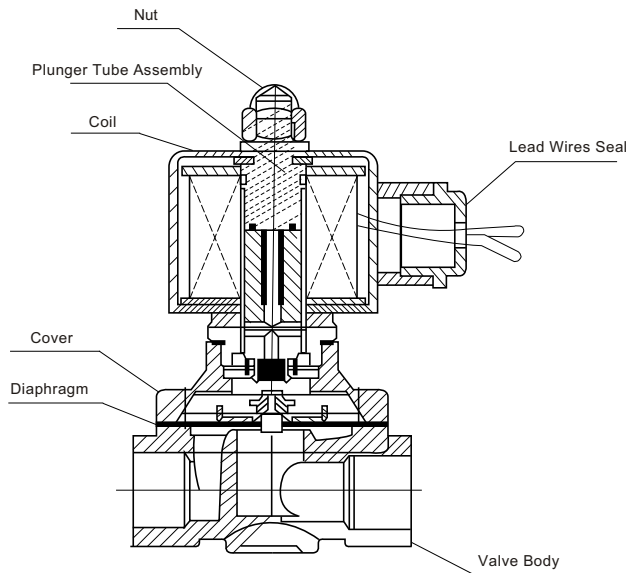
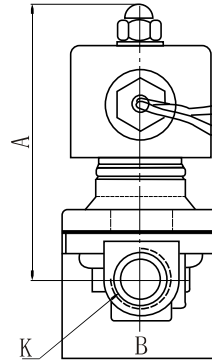
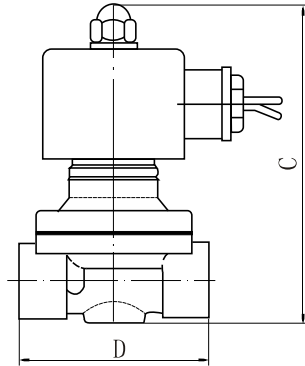


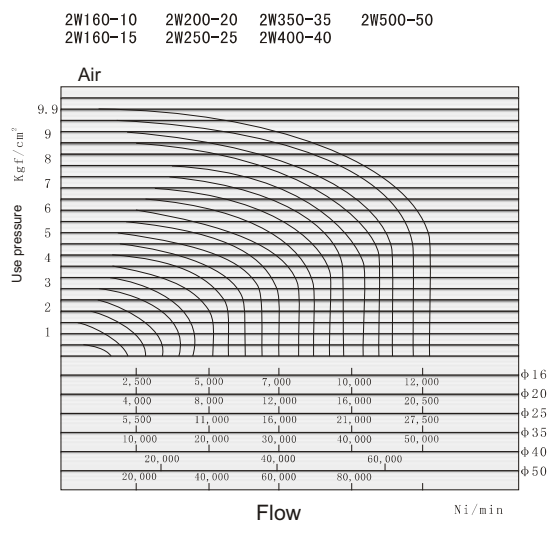
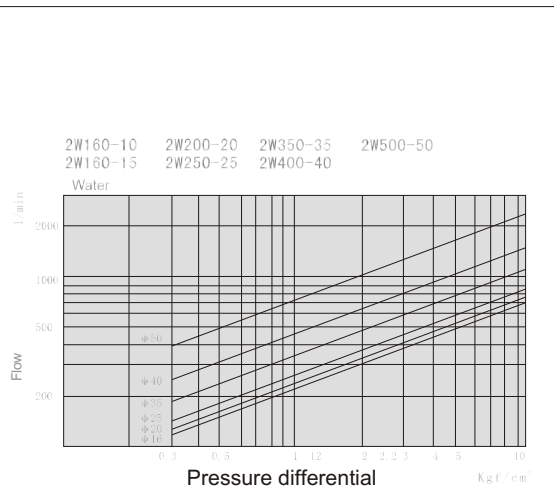
2W Brass Series 2-Way Direct Acting Solenoid Valve Normally Closed

●The Professional Solenoid Valves Manufactory

Construction Dimensions Chart



Fluid Flow Chart



Technical Parameter

Model code	A	B	C	D	K
2W160-10	101.5	57	117	69	PT 3/8"
2W160-15	101.5	57	117	69	PT 1/2"
2W260-20	107	57	123.5	73	PT 3/4"
2W260-25	111.5	73.5	134.5	99	PT 1"
2W360-35	142	95	172	112	PT1 1/4"
2W460-40	142	95	172	123	PT1 1/2"
2W560-50	172	123	209	168	PT2"

Solenoid Valve

2W Stainless Steel Series 2-Way Direct Acting Solenoid Valve Normally Closed

● The Professional Solenoid Valves Manufactory

Technical Parameter

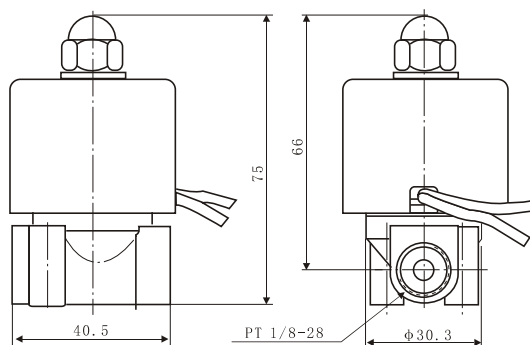
Model code	L	H	Pipe Size
2W025-06B	40.5	75	PT1/8"
2W025-08B	40.5	75	PT1/4"
2W040-10B	52.5	85.5	PT3/8"
2W160-10B	69	117	PT3/8"
2W160-15B	69	117	PT1/2"
2W200-20B	73	123.5	PT3/4"
2W250-25B	99	134.5	PT1"
2W350-35B	112	172	PT1 1/4"
2W400-40B	123	172	PT1 1/2"
2W500-50B	168	209	PT2"
2W250-25FB	135	160	Flange Connection 4 Holes
2W350-35FB	152	212	Flange Connection 4 Holes
2W400-40FB	152	215	Flange Connection 4 Holes
2W500-50FB	200	252	Flange Connection 4 Holes



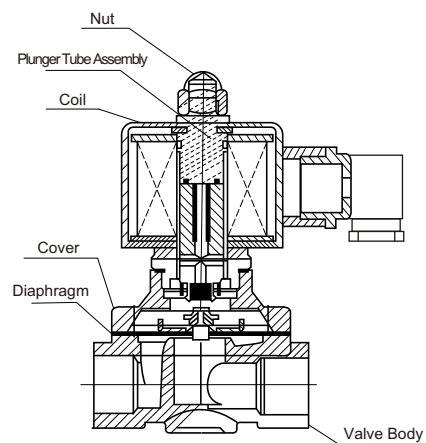
Specifications

Model code	2W025-06B	2W025-08B	2W040-10B	2W160-10B	2W160-15B	2W200-20B	2W250-25B	2W350-35B	2W400-40B	2W500-50B
Symbol										
Fluid Media	Air, Water, Oil, Gas									
Operating Mode	Direct Acting									
Type	Normally Closed									
Orifice	2.5	4	16	20	25	35	40	50		
Cv Factor	0.23	0.6	4.8	7.6	12	24	29	48		
Pipe Size	1/8"	1/4"	3/8"	3/8"	1/2"	3/4"	1"	1 1/4"	1 1/2"	2"
Viscosity	Under 20CTS									
Operating Pressure	Water:0~7 Air:0~7Oil:0~5									
Fluids Temp.	-5~80°C									
Available Voltage	± 10% AC220V 110V DC24V Contact the factory for Others									
Body Material	S.S.304 (S.S.316 Special Made)									
Seals Material	NBR or VITON									

Construction External Dimensions Chart



2W025-06B



2W Brass Series 2-Way Direct Acting Solenoid Valve Normally Open

●The Professional Solenoid Valves Manufactory

Characteristics

- Normally open, open when de-energized,
- Closed when energized
- Body material: forged brass
- They are capable of operating at zero differential pressure
- Available voltage:
- Voltage tolerance:

Inapplicable Fluids

- Fluids that will turn to liquid after being heated and become solid after being cooled
- Strong corrosive fluids
- Fluids that have kinematic viscosity over 50CST

Attention

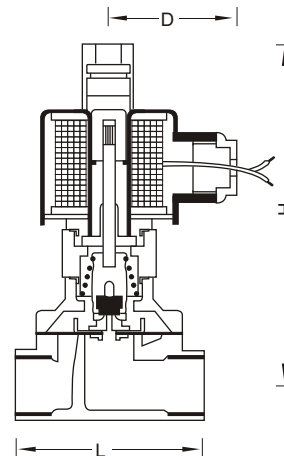
- Make sure the pipe is clean before installing
- Pls fix a Y frame filter in front of the solenoid valve, for longer life-span



Technical Parameter

Model Code	L	H	Pipe Size
2W025-06H	40.5	110	1/8"
2W025-08H	40.5	110	1/4"
2W040-10H	52.5	115	3/8"
2W160-10H	69	135	3/8"
2W160-15H	69	135	1/2"
2W200-20H	73	142	3/4"
2W250-25H	99	150	1"
2W350-35H	112	186	PT1 1/4"
2W400-40H	123	197	PT1 1/2"
2W500-50H	168	225	PT2"

Construction Dimensions Chart



Specifications

Model Code	2W025-06H	2W025-08H	2W040-10H	2W160-10H	2W160-15H	2W200-20H	2W250-25H	2W350-35H	2W400-40H	2W500-50H
Fluid Media	Air, Water, Oil, Gas									
Operating Mode	Direct Acting									
Type	Normally Open									
Orifice	2.5	4	16	20	25	35	40	50		
Cv Rating	0.23	0.6	4.8	7.6	12	24	29	48		
Pipe Size	1/8"	1/4"	3/8"	3/8"	1/2"	3/4"	1"	1 1/4"	1 1/2"	2"
Viscosity	20 CTS以下									
Operating Pressure	Water:0~7 Air:0~7 Oil:0~5									
Fluids Temp.	-5~80℃									
Available Voltage	± 10%									
Body Material	Forged Brass									
Seals Material	NBR or VITON									

Solenoid Valve

2W Stainless Steel Series 2-Way Direct Acting Solenoid Valve Normally Open

● The Professional Solenoid Valves Manufactory

Characteristics

Normally open, open when de-energized,
closed when energized
Body material: forged brass
They are capable of operating at zero differential pressure
Available voltage:
Voltage tolerance:

Inapplicable Fluids

Fluids that will turn to liquid after being heated and
become solid after being cooled
Strong corrosive fluids
Fluids that have kinematic viscosity over 50CST

Attention

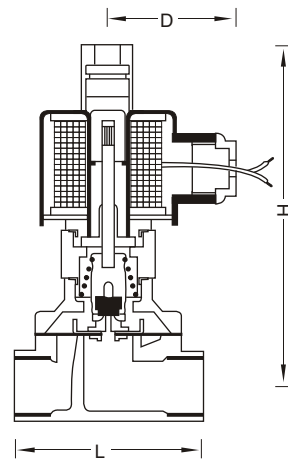
Make sure the pipe is clean before installing
Pls fix a Y frame filter in front of the solenoid valve,
for longer life-span



Technical Parameter

Model Code	L mm	H mm	Pipe Size
2W025-06BH	40.5	110	1/8"
2W025-08BH	40.5	110	1/4"
2W040-10BH	52.5	115	3/8"
2W160-10BH	69	135	3/8"
2W160-15BH	69	135	1/2"
2W200-20BH	73	142	3/4"
2W250-25BH	99	150	1"
2W350-35BH	112	186	PT1 1/4"
2W400-40BH	123	197	PT1 1/2"
2W500-50BH	168	225	PT2"
2W250-25FBH	135	160	Flange Connection 4 Holes
2W350-35FBH	152	230	Flange Connection 4 Holes
2W400-40FBH	152	240	Flange Connection 4 Holes
2W500-50FBH	200	270	Flange Connection 4 Holes

Construction Dimensions Chart



Specifications

Model Code	2W025-06BH	2W025-08BH	2W040-10BH	2W160-10BH	2W160-15BH	2W200-20BH	2W250-25BH	2W350-35BH	2W400-40BH	2W500-50BH
Fluid Media	Air, Water, Oil, Gas									
Operating Mode	Direct Acting									
Type	Normally Open									
Office	2.5	4	16	20	25	35	40	50		
Cv Rating	0.23	0.6	4.8	7.6	12	24	29	48		
Pipe Size	1/8"	1/4"	3/8"	3/8"	1/2"	3/4"	1"	1 1/4"	1 1/2"	2"
Viscosity	Under 20CTS									
Operating Pressure	Water:0-7 Air:0-7Oil:0-5									
Fluids Temp.	-5~80°C									
Available Voltage	± 10%									
Body Material	S.S.304									
Seals Material	NBR or VITON									