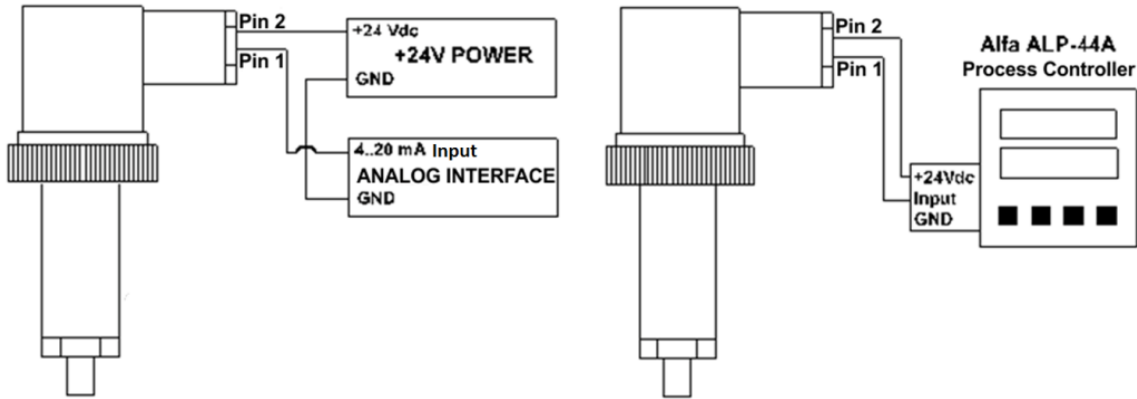


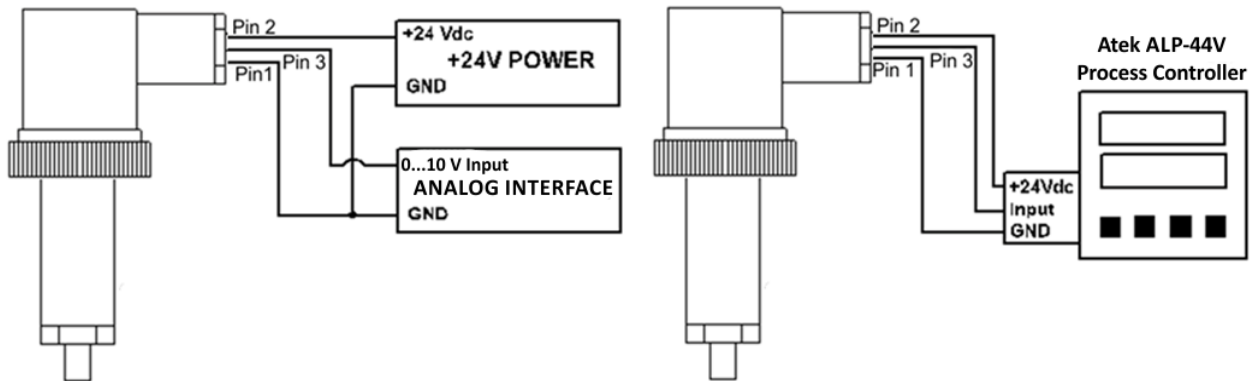
| Pin No | Signal |
|----------------------------------|------------------------|
| 2 Wires 4-20mA Connection | |
| 1 | 4...20mA Analog Output |
| 2 | +12...30 VDC (Supply) |

Sample Connection:



| Pin No | Signal |
|-----------------------------------|-------------------------|
| 3 Wires 0-10VDC Connection | |
| 1 | GND |
| 2 | +12...30 VDC (Supply) |
| 3 | 0...10VDC Analog Output |

Sample Connection:



Order Code

Model

BCT 110

Output Signal

V : 0-10 VDC Analog Voltage
A : 4-20 mA Analog Current

V

Electrical Connection

S : DIN43650 Female Socket
1M : 1 Metre Cable
2M : 2 Metre Cable
* Please ask for others

S

Pressure

100mB : 100 Milibar
16B : 16 Bar
600B : 600 Bar

* Between 100 milibar to 600 Bar

Mechanical Connection

G1/4 : G1/4 Connection
G1 : G1 Connection
G1/2 : G1/2 Connection

* Please ask for other mechanical connections