

Dim	A	B	C	D	E	F	G	H	J
1	74	46	25	64	35	45	72	83	102
2	66	37	23	64	29	45	73	84	102
3	66	37	23	68	29	48	74	87	105
4	74	46	25	68	35	48	73	86	105
5	66	37	23	80	29	57	77	93	111
6	74	46	25	80	35	57	76	92	111
7	66	37	23	91	29	67	83	107	125
8	74	46	25	91	35	67	82	106	125

GEVAX solenoid valfleri tüm ömür ve performans testlerinden geçirilmekte ve tüm ürünler sevk öncesinde %100 çalışma testine tabi tutulmaktadır.

Gövde: Pirinç
Kovan: Pirinç
Çekirdek: Paslanmaz Çelik
Yay: Paslanmaz Çelik
Yatak: Pirinç
Ambient Temperature: -10 °C+50 °C

GEVAX solenoid valves pass through all life-time and performance tests, and all the valves are %100 applied functional tests before delivery.

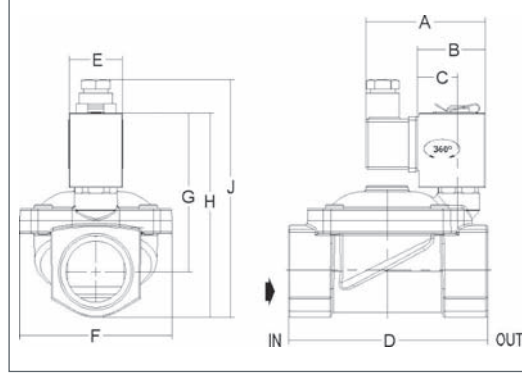
Body: Brass
Core Tube: Brass
Core: Stainless Steel
Springs: Stainless Steel
Seat: Brass
Ambient Temperature: -10 °C+50 °C

Normalde Kapalı / Normally Closed

Ölçü (Size)	Orifice (mm)	Kv (l/min)	Fark Basıncı AP Differential Pressure		Akışkan Sıcaklığı Fluid Temperature	Cont/Diyafram Seal/Diaphragm	Bobin Tipi Coil Type	Dim.	Ağırlık Weight (kg)	Referans Code
			Pmin(bar)	Pmax(bar)						
3/8"	10	22.00	0.5	16	-10°C + 80°C	NBR	TP1	2	0.520	1901-KBNC016-100
1/2"	12	65.00	0.5	16	-10°C + 80°C	NBR	TP1	3	0.585	1901-KBND016-120
3/4"	19	110.00	0.5	16	-10°C + 80°C	NBR	TP1	5	0.740	1901-KBNE016-190
1"	25	180.00	0.5	16	-10°C + 80°C	NBR	TP1	7	1.055	1901-KBNF016-250

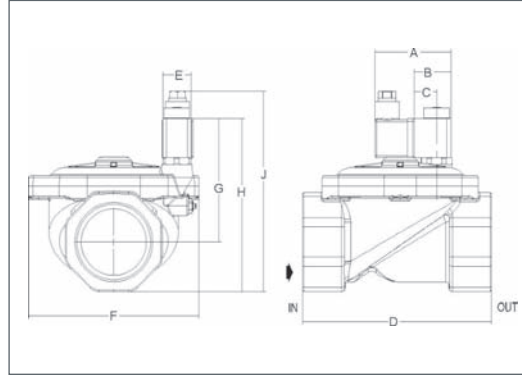
Normalde Açık / Normally Open

Ölçü (Size)	Orifice (mm)	Kv (l/min)	Fark Basıncı AP Differential Pressure		Akışkan Sıcaklığı Fluid Temperature	Cont/Diyafram Seal/Diaphragm	Bobin Tipi Coil Type	Dim.	Ağırlık Weight (kg)	Referans Code
			Pmin(bar)	Pmax(bar)						
3/8"	10	22.00	0.5	16	-10°C + 80°C	NBR	TP4	1	0.570	1901-ABNC016-100
1/2"	12	65.00	0.5	16	-10°C + 80°C	NBR	TP4	4	0.640	1901-ABND016-120
3/4"	19	110.00	0.5	16	-10°C + 80°C	NBR	TP4	6	0.790	1901-ABNE016-190
1"	25	180.00	0.5	16	-10°C + 80°C	NBR	TP4	8	1.110	1901-ABNF016-250



GEVAX solenoid valfleri tüm ömür ve performans testlerinden geçirilmekte ve tüm ürünler sevk öncesinde %100 çalışma testine tabi tutulmaktadır.

Gövde: Pirinç
Kovan: Pirinç
Çekirdek: Paslanmaz Çelik
Yay: Paslanmaz Çelik
Yatak: Pirinç
Ambient Temperature: -10 °C+50 °C



GEVAX solenoid valves pass through all life-time and performance tests, and all the valves are %100 applied functional tests before delivery.

Body: Brass
Core Tube: Brass
Core: Stainless Steel
Springs: Stainless Steel
Seat: Brass
Ambient Temperature: -10 °C+50 °C

Dim	A	B	C	D	E	F	G	H	J
1	66	35	23	110	35	84	85	110	128
2	66	37	23	125	35	119	98	128	148
3	66	37	23	142	35	131	103	140	161

Normalde Kapalı / Normally Closed

Ölçü (Size)	Orifice (mm)	Kv (l/min)	Fark Basıncı AP Differential Pressure		Akışkan Sıcaklığı Fluid Temperature	Cont/Diyafram Seal/Diaphragm	Bobin Tipi Coil Type	Dim.	Ağırlık Weight (kg)	Referans Code
			Pmin(bar)	Pmax(bar)						
1 1/4"	32	250.00	0.5	10	-10 °C + 80 °C	NBR	TP2	1	1,640	1901-KBNG010-320
1 1/2"	40	390.00	0.5	10	-10 °C + 80 °C	NBR	TP2	2	2,710	1901-KBNH010-400
2"	50	575.00	0.5	10	-10 °C + 80 °C	NBR	TP2	3	3,675	1901-KBNI010-500

Normalde Açık / Normally Open

Ölçü (Size)	Orifice (mm)	Kv (l/min)	Fark Basıncı AP Differential Pressure		Akışkan Sıcaklığı Fluid Temperature	Cont/Diyafram Seal/Diaphragm	Bobin Tipi Coil Type	Dim.	Ağırlık Weight (kg)	Referans Code
			Pmin(bar)	Pmax(bar)						
1 1/4"	32	250.00	0.5	10	-10 °C + 80 °C	NBR	TP4	1	1,640	1901-ABNG010-320
1 1/2"	40	390.00	0.5	10	-10 °C + 80 °C	NBR	TP4	2	2,710	1901-ABNH010-400
2"	50	575.00	0.5	10	-10 °C + 80 °C	NBR	TP4	3	3,675	1901-ABNI010-520



PRESENTATION:

The condensate removal timer is a plug-on controller specially design for drain valves. The unit offers an easy time cycle programming. The draining time can be set via the "ON" trimmer between 0.5 and 10 seconds. The "OFF" trimmer allows to adjust the delay time between two draining cycles from 0.5 to 45 minutes. The unit is ready to control the valve as soon as the power is switched on. The ON/OFF sequence will be repeated so long as the unit is fed. Two LED's indicate the output status. A "TEST" button is provided to check the cycle settings and to restart the control sequence from the output status "ON".

USE:

Condensate drainage system
Timed systems.

TECHNICAL DETAILED:

Supply voltage: 24 to 240V AC/DC±10% 50/60Hz
 Output voltage: same as supply voltage
 Load current: max. 1A
 Standby current: 8mA max
 Operating temp. range: - 40°C to + 60°C
 Connector: EN 175301-803 / ISO 4400
 Environmental protection: IP65 (assembled with delivered gaskets)
 Housing dimensions: 69 x 43 x 21mm
 On time: 0.5 to 10 seconds
 Off time: 0.5 to 45 minutes
 Scale accuracy: ±10%
 Indicators: Green LED – On phase;
 Red LED – Off phase.

MATERIALS:

Shell: ABS-PA 765
 Gasket:NBR(nitrile)

ACCESSORIES:

Connectors for EV (to be order separately)
 Pg 9 (6÷8mm) or Pg 11(8÷10mm)

DESCRIPTION:

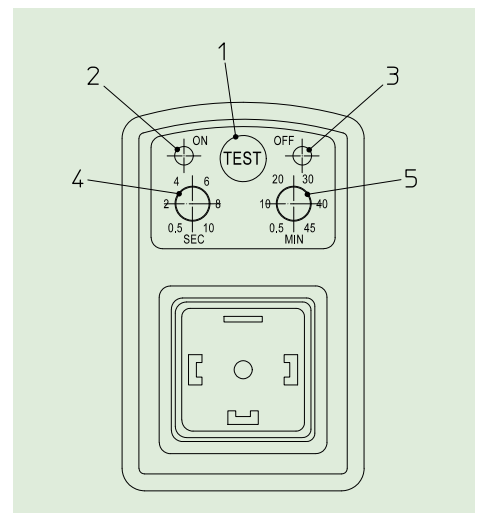
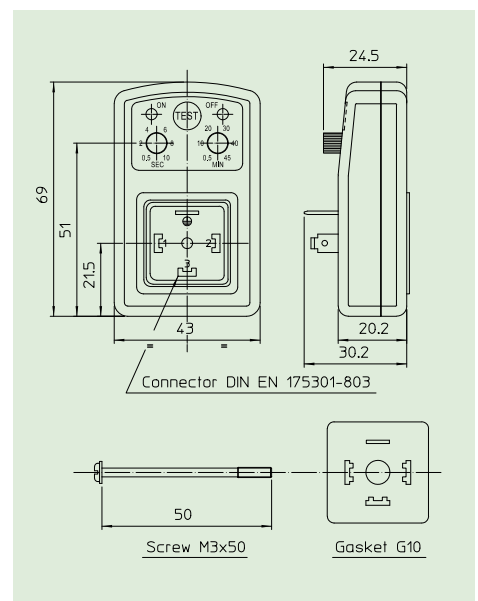
- | | |
|--|-----------------------|
| 1. Push-button TEST | |
| 2. Green Led not supplied : output power | present (ON) |
| 3. Red Led load supplied : output power | absent (OFF) |
| 4. Trimmer "ON": regulation | time "ON" |
| 5. Trimmer "OFF": pause | time regulation "OFF" |

Notes

In the near future available also with UL approval.
 In accordance with RoHS.



DIMENSIONS:



The "ODE " reserves the right to carry out technical and aesthetic modifications without prior notification.