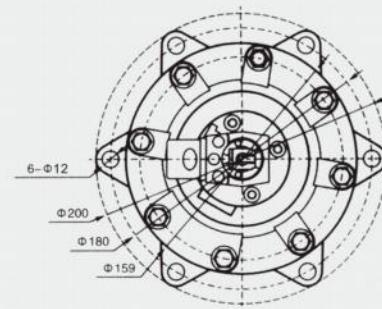
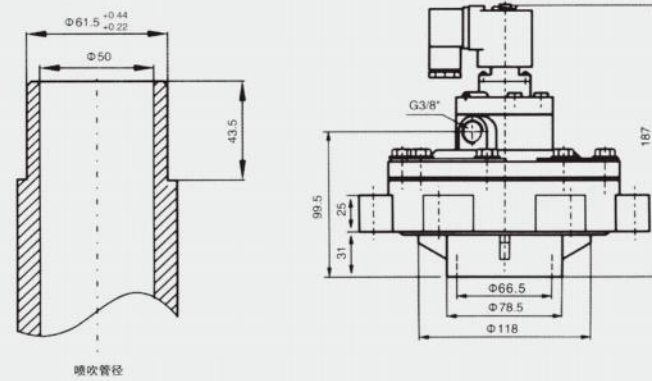
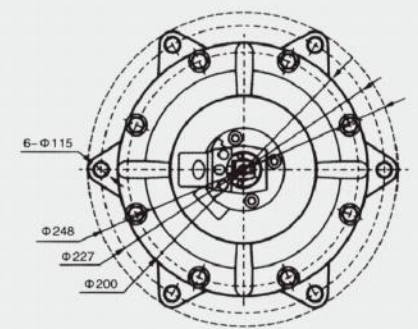
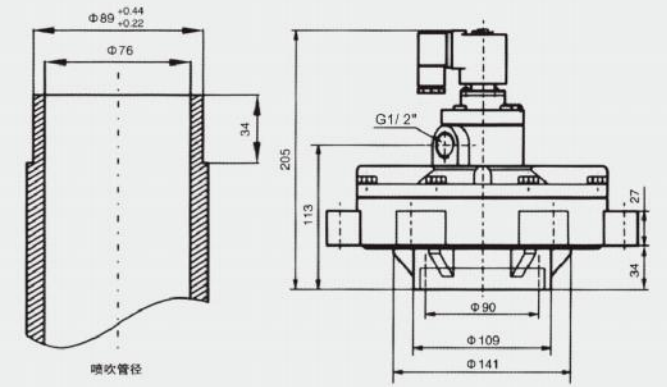


Solenoid Pulse Valve



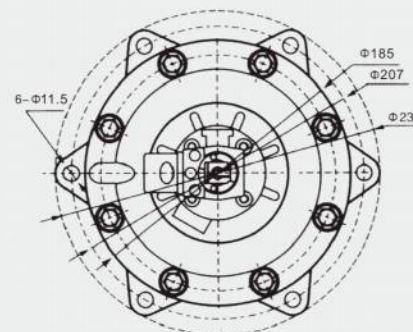
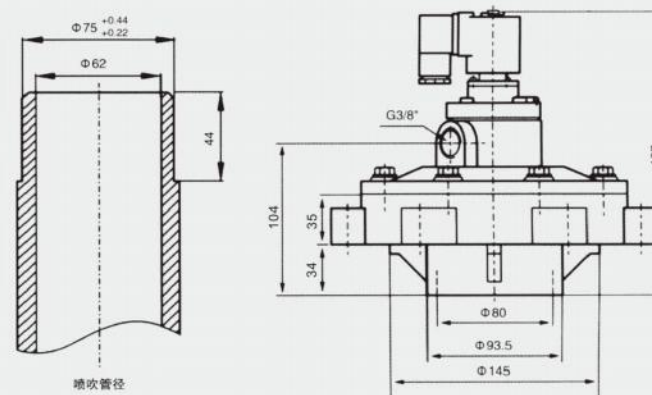
Model	RMF-Y-50S
Working-pressure	0.3 ~ 0.8MPa
Ambient Temperature	-5 ~ 55°C
Relative Humidity	< 85%
Working Medium	Clean Air
Voltage	AC110V / AC220V / DC24V
Diaphragm Life	Over One Million Cycles
Orifice	$\phi 50$
Connection Port	$\phi 65$

Solenoid Pulse Valve



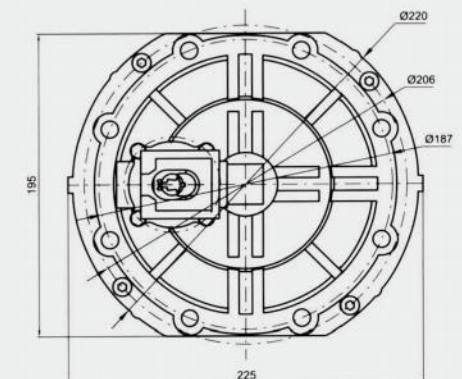
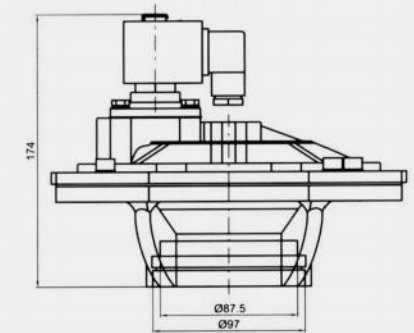
Model	RMF-Y-76S
Working-pressure	0.3 ~ 0.8MPa
Ambient Temperature	-5 ~ 55°C
Relative Humidity	< 85%
Working Medium	Clean Air
Voltage	AC110V / AC220V / DC24V
Diaphragm Life	Over One Million Cycles
Orifice	$\phi 76$
Connection Port	$\phi 90$

Solenoid Pulse Valve



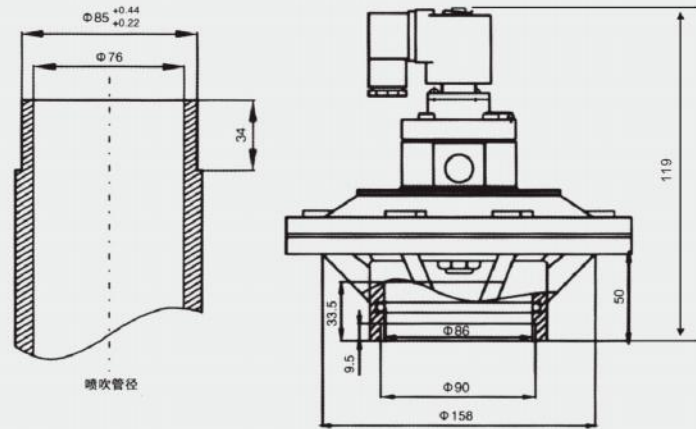
Model	RMF-Y-62S
Working-pressure	0.3 ~ 0.8MPa
Ambient Temperature	-5 ~ 55°C
Relative Humidity	< 85%
Working Medium	Clean Air
Voltage	AC110V / AC220V / DC24V
Diaphragm Life	Over One Million Cycles
Orifice	$\phi 62$
Connection Port	$\phi 80$

Solenoid Pulse Valve

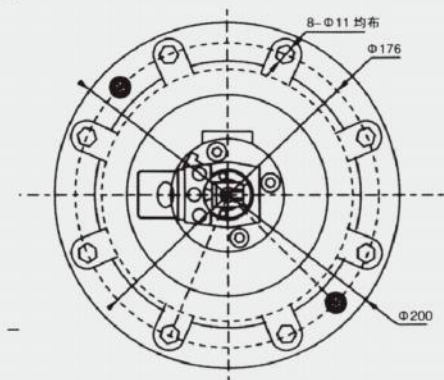


Model	RMF-Y-76S-A1
Working-pressure	0.3 ~ 0.8MPa
Ambient Temperature	-5 ~ 55°C
Relative Humidity	< 85%
Working Medium	Clean Air
Voltage	AC110V / AC220V / DC24V
Diaphragm Life	Over One Million Cycles
Orifice	$\phi 76$
Connection Port	$\phi 89$

Solenoid Pulse Valve



Model	RMF-Y-86S
Working-pressure	0.3 ~ 0.8MPa
Ambient Temperature	-5 ~ 55°C
Relative Humidity	< 85%
Working Medium	Clean Air
Voltage	AC110V / AC220V / DC24V
Diaphragm Life	Over One Million Cycles
Orifice	$\phi 80$
Connection Port	$\phi 90$



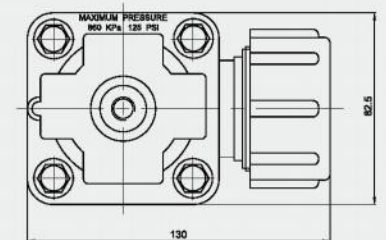
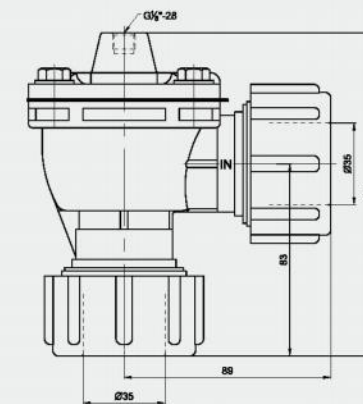
➤ Air Control Pulse Jet Valve



Parameters

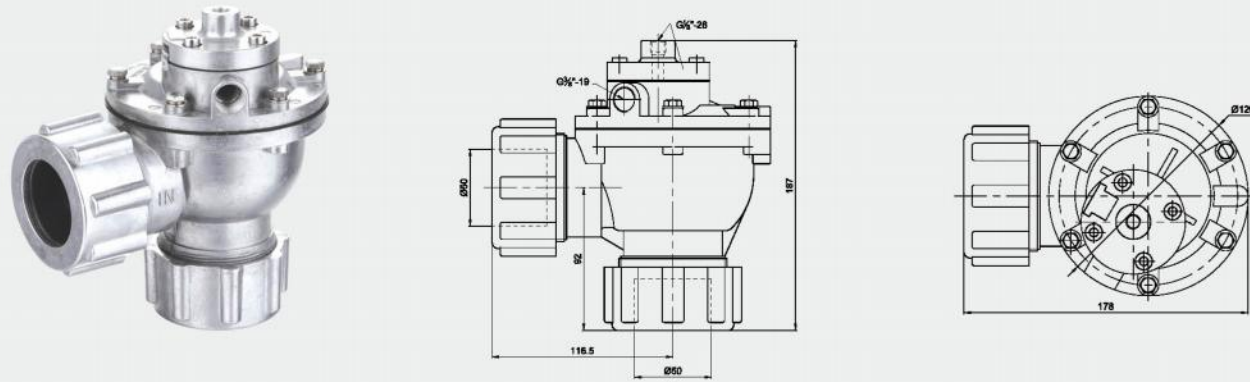
Model	Working pressure	Ambient Temp	Relative Humidity	Media	Diaphragm Life	Orifice	Connection ports
RMF-Q-25DD	0.3 ~ 0.8MPa	-5 ~ 55° C	< 85%	Clean Air	Over one Million cycles	$\Phi 25$	$\Phi 35$
RMF-Q-45DD						$\Phi 45$	$\Phi 50$
RMF-Q-20P						$\Phi 20$	G3/4"
RMF-Q-25P						$\Phi 25$	G1"
RMF-ZQ-45P						$\Phi 45$	G1-1/2"
RMF-ZQ-50S						$\Phi 50$	G2"
RMF-ZQ-62S						$\Phi 62$	G2-1/2"
RMF-ZQ-76S						$\Phi 76$	G3"
RMF-YQ-50S						$\Phi 50$	$\Phi 62.5$
RMF-YQ-62S						$\Phi 62$	$\Phi 76$
RMF-YQ-76S	$\Phi 76$	$\Phi 90$					

Right Angle (DD type) Air Control Pulse Valve



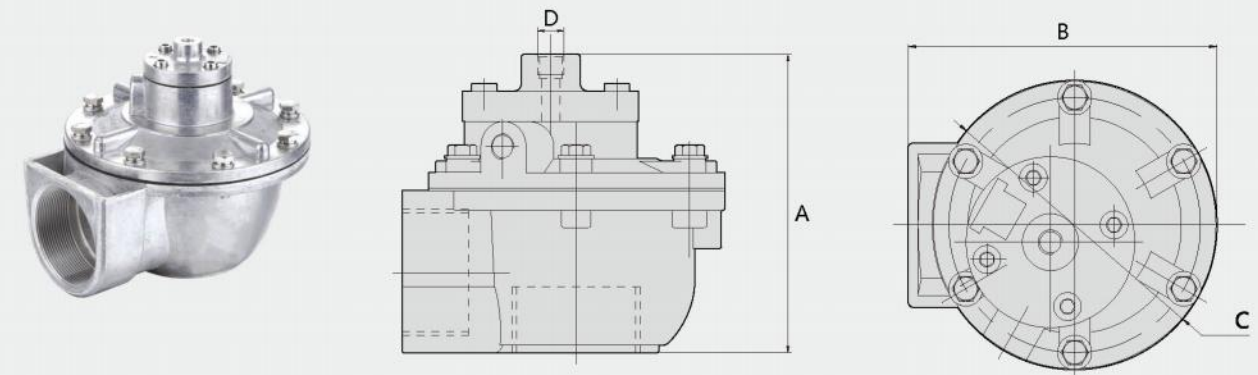
Model	RMF-Q-25DD
Working-pressure	0.3 ~ 0.8MPa
Ambient Temperature	-5 ~ 55°C
Relative Humidity	< 85%
Working Medium	Clean Air
Voltage	AC110V / AC220V / DC24V
Diaphragm Life	Over One Million Cycles
Orifice	$\phi 25$
Connection Port	$\phi 35$

Right Angle (DD type) Air Control Pulse Valve



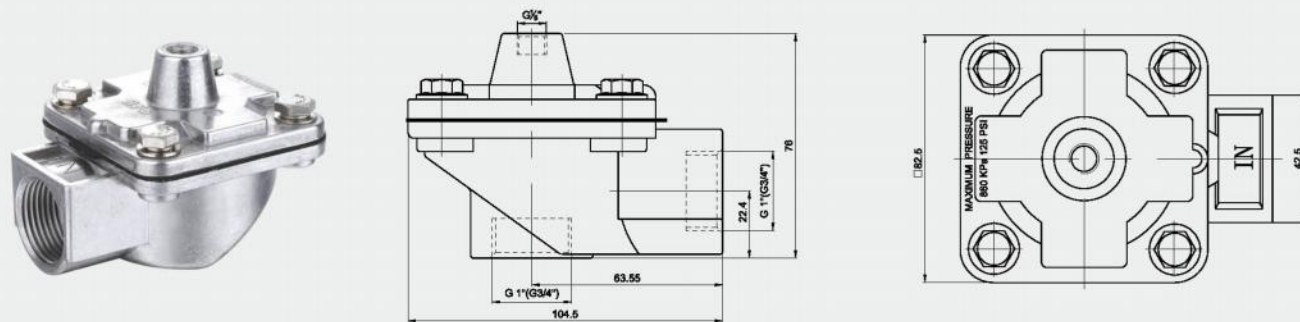
Model	RMF-Q-45DD
Working-pressure	0.3 ~ 0.8MPa
Ambient Temperature	-5 ~ 55°C
Relative Humidity	< 85%
Working Medium	Clean Air
Voltage	AC110V / AC220V / DC24V
Diaphragm Life	Over One Million Cycles
Orifice	φ 45
Connection Port	φ 50

Right Angle Air Control Pulse Valve



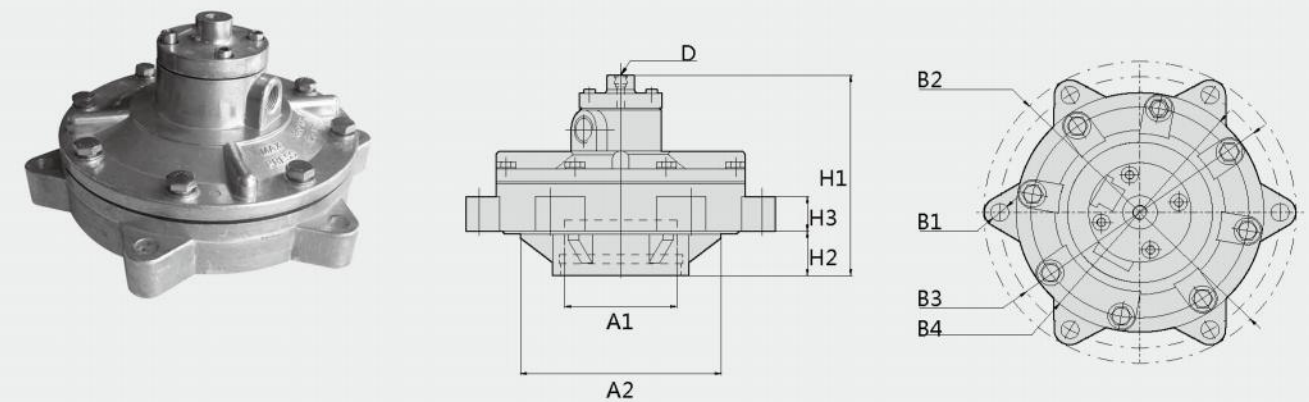
Model	A	B	C	D
RMF-ZQ-45P	125	138	Φ126	G1/8"
RMF-ZQ-50s	153	205	Φ184	G1/8"
RMF-ZQ-62s	173	210	Φ185	G1/8"
RMF-ZQ-76s	195	230	Φ200	G1/8"

Right Angle Air Control Pulse Valve



Model	RMF-Q-25P	RMF-Q-20P
Working-pressure	0.3 ~ 0.8MPa	
Ambient Temperature	-5 ~ 55°C	
Relative Humidity	< 85%	
Working Medium	Clean Air	
Voltage	AC110V / AC220V / DC24V	
Diaphragm Life	Over One Million Cycles	
Orifice	φ 25	φ 20
Connection Port	G1"	G3/4"

In Line Gas control Pulse valve



Model	A1	A2	B1	B2	B3	B4	H1	H2	H3	D
RMF-YQ-50S	Φ62.5	Φ118	6-Φ12	Φ200	Φ180	Φ159	138	30.5	34.5	G1/8"
RMF-YQ-62S	Φ76	Φ143.5	6-Φ11.5	Φ230	Φ207	Φ185	148	34	35	
RMF-YQ-76S	Φ90	Φ141	6-Φ12	Φ248	Φ277	Φ200	156	34.5	27	