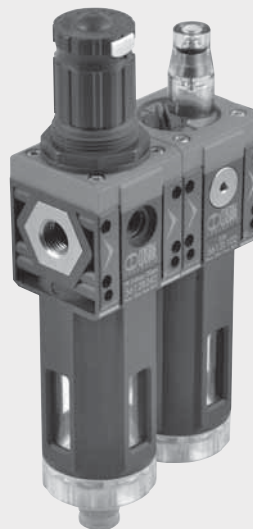
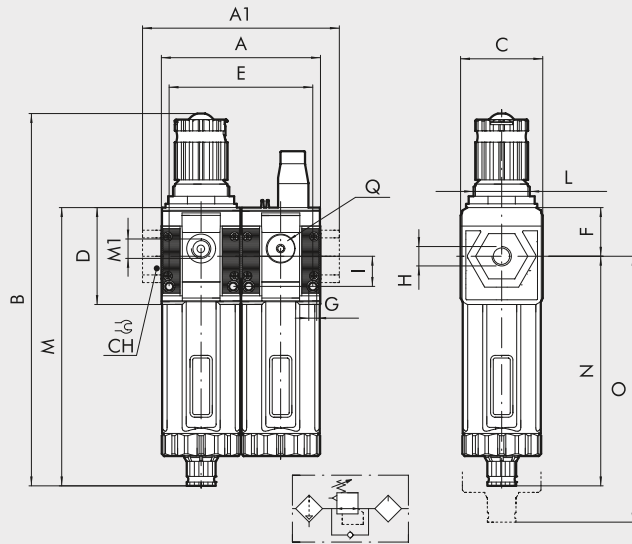


For full details and list of components refer to the sections about filter-regulator and the lubricator.



| TECHNICAL DATA | FR + LUB SY1 | | | FR + LUB SY2 | | | |
|--|--|------|------|----------------------|------|------|----|
| | 1/8" | 1/4" | 3/8" | 3/8" | 1/2" | 3/4" | 1" |
| Threaded port | | | | | | | |
| Degree of filtration | 5 (yellow) - output air purity class ISO8573-1: 3.7- 20 (white) - output air purity class ISO8573-1: 4.7- 50 (blue) - output air purity class ISO8573-1: 5.7- | | | | | | |
| Max. inlet pressure | bar | | | bar | | | |
| | MPa | | | MPa | | | |
| | psi | | | psi | | | |
| Flow rate at 6.3 bar (0.63 MPa; 91 psi) ΔP 0.5 bar (0.05 MPa; 7 psi) | NL/min | | | NL/min | | | |
| (P In=10 bar) | scfm | | | scfm | | | |
| Flow rate at 6.3 bar (0.63 MPa; 91 psi) ΔP 1 bar (0.1 MPa; 14 psi) | NL/min | | | NL/min | | | |
| (P In=10 bar) | scfm | | | scfm | | | |
| Relief valve flow rate at 6.3 bar (0.63 MPa; 91 psi) | NL/min | | | NL/min | | | |
| | scfm | | | scfm | | | |
| Min/max temperature at 10 bar; 1 MPa; 145 psi | °C | | | °C | | | |
| Padlockable knob | Included | | | | | | |
| Upstream pressure compensation | Included, via balanced valve | | | | | | |
| Weight | g | g | g | g | g | g | g |
| Fluid | Compressed air or other inert gases | | | | | | |
| Mounting position | Vertical | | | Vertical | | | |
| Additional air take-off, for pressure gauges or fittings | 1/8", front and rear | | | 1/4", front and rear | | | |
| Additional air take-off flow rate at 6.3 bar (0.63 MPa; 91 psi) ΔP 1 bar (0.1 MPa; 14 psi) | NL/min | | | NL/min | | | |
| Filter bowl capacity (condensate) | cm ³ | | | cm ³ | | | |
| Quantity of filled oil | cm ³ | | | cm ³ | | | |
| Condensate drain | RMSA: drain with manual condensate discharge and automatic discharge at zero pressure RA: automatic drain with condensate discharge, independent of pressure and flow rate Note: the maximum input pressure for the RA version must not exceed 10 bar | | | | | | |
| Recommended oils | ISO and UNI FD22 (Energol HPL; Spinesso; Mobil DTE; Tellus oil) | | | | | | |
| Wall fixing screws | No. 2 M4 screws | | | No. 2 M5 screws | | | |

DIMENSIONS



| | SIZE 1 | | | SIZE 2 | | | |
|------------------------------------|--------------------|------|------|--------------------|------|------|-----|
| | 1/8" | 1/4" | 3/8" | 3/8" | 1/2" | 3/4" | 1" |
| H (threaded port) | 1/8" | 1/4" | 3/8" | 3/8" | 1/2" | 3/4" | 1" |
| A | 84 | | | 122 | | | |
| A1 | - | - | 86 | - | - | 156 | 156 |
| B | RMSA RA | | | 246 250 | | | |
| C | 44 | | | 61 | | | |
| CH | - | | | 32 36 | | | |
| D | 51.5 | | | 70.5 | | | |
| E | 75.3 | | | 108 | | | |
| F | 25.8 | | | 38.2 | | | |
| G | Hole for M4 screws | | | Hole for M5 screws | | | |
| I | 16 | | | 22.5 | | | |
| L | M30x1.5 | | | M38x2 | | | |
| M | RMSA RA | | | 178 182 | | | |
| M1 (pressure gauge port) | 1/8" | | | 1/4" | | | |
| N | RMSA RA | | | 139.8 143.8 | | | |
| O | RMSA RA | | | 245 249 | | | |
| Q (no. 2 additional air takes-off) | 1/8" | | | 1/4" | | | |

KEY TO CODES

| 56 | 1 | 1 | B | 24 | L | 10 | 1 |
|---|--------------------------|--|--------------------|--|--------------|--------------------------------|--|
| SYNTESI | SIZE | THREADED INPUT CONNECTION | ELEMENT | DEGREE OF FILTRATION, TYPE OF CONDENSATE DRAIN AND SETTING RANGE | ELEMENT | OIL FILLING | THREADED OUTPUT CONNECTION |
| 56 Syntesi 5X Syntesi anti-corrosion | 1 Size 1 2 Size 2 | 1 1/8" port 2 1/4" port 3 3/8" port 4 1/2" port 5 3/4" port 6 1" port | B Filter-regulator | <ul style="list-style-type: none"> ● 10 5 μm, RMSA, 0 to 2 bar ● 20 20 μm, RMSA, 0 to 2 bar ● 30 50 μm, RMSA, 0 to 2 bar ● 40 5 μm, RA, 0 to 2 bar ● 50 20 μm, RA, 0 to 2 bar ● 60 50 μm, RA, 0 to 2 bar + 12 5 μm, RMSA, 0 to 4 bar + 22 20 μm, RMSA, 0 to 4 bar + 32 50 μm, RMSA, 0 to 4 bar + 42 5 μm, RA, 0 to 4 bar + 52 20 μm, RA, 0 to 4 bar + 62 50 μm, RA, 0 to 4 bar 14 5 μm, RMSA, 0 to 8 bar 24 20 μm, RMSA, 0 to 8 bar 34 50 μm, RMSA, 0 to 8 bar 44 5 μm, RA, 0 to 8 bar 54 20 μm, RA, 0 to 8 bar 64 50 μm, RA, 0 to 8 bar 16 5 μm, RMSA, 0 to 12 bar 26 20 μm, RMSA, 0 to 12 bar 36 50 μm, RMSA, 0 to 12 bar 46 5 μm, RA, 0 to 12 bar 56 20 μm, RA, 0 to 12 bar 66 50 μm, RA, 0 to 12 bar | L Lubricator | 10 Manual filling from the top | 1 1/8" port 2 1/4" port 3 3/8" port 4 1/2" port 5 3/4" port 6 1" port |

- Not available in the anti-corrosion version.
- + Anti-corrosion version available only in size 1.

RMSA: drain with manual condensate discharge and automatic discharge at zero pressure.
 RA: automatic drain with condensate discharge, independent of pressure and flow rate.

PURCHASE ORDER CODES HAVING A MORE FREQUENT USE

N.B. Besides the below mentioned codes, you can order elements composed at your will according to the key to codes.

| Code | Description | Code | Description | NOTE |
|-----------------------|---------------------------|-----------------------|---------------------------|--|
| FR + LUB Syntesi® SY1 | | FR + LUB Syntesi® SY2 | | Anti-corrosion version |
| 5611B24L101 | FR+LUB SY1 1/8 20 08 RMSA | 5623B24L103 | FR+LUB SY2 3/8 20 08 RMSA | 5X |
| 5611B54L101 | FR+LUB SY1 1/8 20 08 RA | 5623B54L103 | FR+LUB SY2 3/8 20 08 RA | Example |
| 5612B24L102 | FR+LUB SY1 1/4 20 08 RMSA | 5624B24L104 | FR+LUB SY2 1/2 20 08 RMSA | 5X11B54L101 |
| 5612B54L102 | FR+LUB SY1 1/4 20 08 RA | 5624B54L104 | FR+LUB SY2 1/2 20 08 RA | FR+LUB SY1 1/8 20 08 RA anti-corrosion |
| 5613B24L103 | FR+LUB SY1 3/8 20 08 RMSA | 5625B24L105 | FR+LUB SY2 3/4 20 08 RMSA | |
| 5613B54L103 | FR+LUB SY1 3/8 20 08 RA | 5625B54L105 | FR+LUB SY2 3/4 20 08 RA | |
| | | 5626B24L106 | FR+LUB SY2 1 20 08 RMSA | |
| | | 5626B54L106 | FR+LUB SY2 1 20 08 RA | |