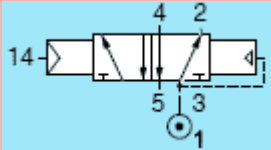
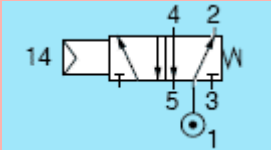
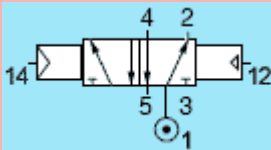


RANGE

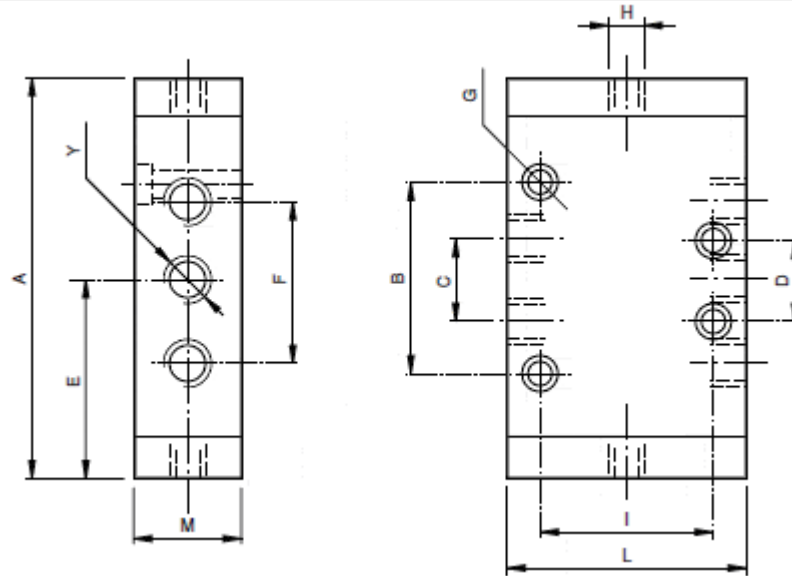
PNEUMATIC VALVES SERIES CETOP

PNEUMATIC OPERATED



	Symbol	Size and ports	Ways	Weight g	Model	Dimensions	
SINGLE STABLE POSITION PNEUMATIC PILOT RETURN BY PNEUMATIC SPRING		A	1/8"	5/2	235	DC 138010	A
		A	1/4"	5/2	235	DC 138010/4	
		B	1/4"	5/2	480	DC 134010	
		B	3/8"	5/2	480	DC 134010/3	
		C	1/2"	5/2	1300	DC 132010	
SINGLE STABLE POSITION PNEUMATIC PILOT RETURN BY MECHANICAL SPRING		A	1/8"	5/2	2	DC 138040	B
		A	1/4"	5/2	245	DC 138040/4	
		B	1/4"	5/2	495	DC 134040	
		B	3/8"	5/2	495	DC 134040/3	
		C	1/2"	5/2	1320	DC 132040	
DOUBLE STABLE POSITIONS PNEUMATIC PILOT		A	1/8"	5/2	270	DC 138020	C
		A	1/4"	5/2	270	DC 138020/4	
		B	1/4"	5/2	510	DC 134020	
		B	3/8"	5/2	510	DC 134020/3	
		C	1/2"	5/2	1350	DC 132020	

SINGLE POSITION PNEUMATIC 5/2 | DOUBLE POSITIONS PNEUMATIC 5/2 | DOUBLE POSITIONS PNEUMATIC 5/3



SINGLE POSITION – PNEUMATIC SPRING 5/2 wayd

A

SIZE	PORT	A	B	C	D	E	F	G	H	I	L	M	MODEL	Version
A	1/8"-1/4"	104	36	18	18	52	36	4,5	1/8"	26	40	25	DC-13	010
B	1/4"-3/8"	134	60	22	22	67	44	5,5	1/8"	40	52	30		
C	1/2"	184	108	40	40	92	80	6,5	1/8"	50	70	35		

SINGLE POSITION – MECHANICAL SPRING 5/2 ways

B

SIZE	PORT	A	B	C	D	E	F	G	H	I	L	M	MODEL	Version
A	1/8"-1/4"	113	36	18	18	61	36	4,5	1/8"	26	40	25	DC-13	040
B	1/4"-3/8"	143	60	22	22	76	44	5,5	1/8"	40	52	30		
C	1/2"	193	108	40	40	91	80	6,5	1/8"	50	70	35		

DOUBLE STABLE POSITIONS 5/2 ways



C

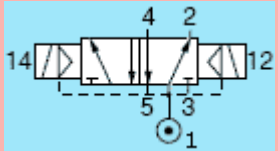
SIZE	PORT	A	B	C	D	E	F	G	H	I	L	M	FAMILY MODEL	Version
A	1/8"-1/4"	112	36	18	18	56	36	4,5	1/8"	26	40	25	DC-13	020
B	1/4"-3/8"	134	60	22	22	67	44	5,5	1/8"	40	52	30		
C	1/2"	168	108	40	40	168	80	6,5	1/8"	50	70	35		

SOLENOID OPERATED

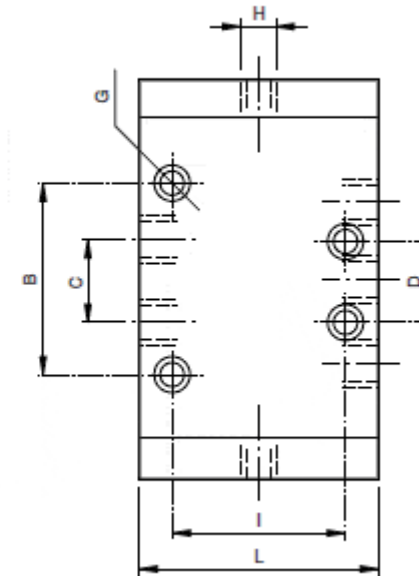
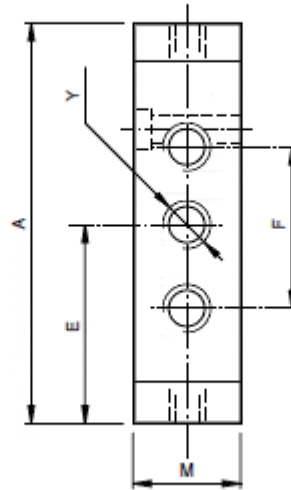
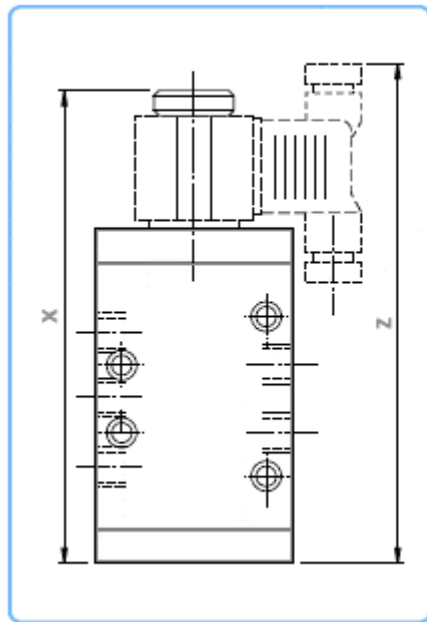


	Symbol	Size and ports	Ways	Weight g	Model	Dimensions	
SINGLE STABLE POSITION SOLENOID PILOT RETURN BY PNEUMATIC SPRING		A	1/8"	5/2	320	EC 13801L/E	A
		A	1/4"	5/2	320	EC 13801/4L/E	
		B	1/4"	5/2	630	EC 13401L/E	
		B	3/8"	5/2	630	EC 13401/3L/E	B
		C	1/2"	5/2	1500	EC 13201A/E	
SINGLE STABLE POSITION SOLENOID PILOT RETURN BY MECHANICAL		A	1/8"	5/2	320	EC 13804L/E	
		A	1/4"	5/2	320	EC 13804/4L/E	
		B	1/4"	5/2	630	EC 13404L/E	



SPRING		B	3/8"	5/2	630	EC 13404/3L/E	
		C	1/2"	5/2	1500	EC 13204A/E	
DOUBLE STABLE POSITIONS PNEUMATIC PILOT		A	1/8"	5/2	420	EC 13802L/E	B
		A	1/4"	5/2	420	EC 13802/4L/E	
		B	1/4"	5/2	710	EC 13402/L/E	
		B	3/8"	5/2	710	EC 13402/3L/E	
		C	1/2"	5/2	1600	EC 13202A/E	A

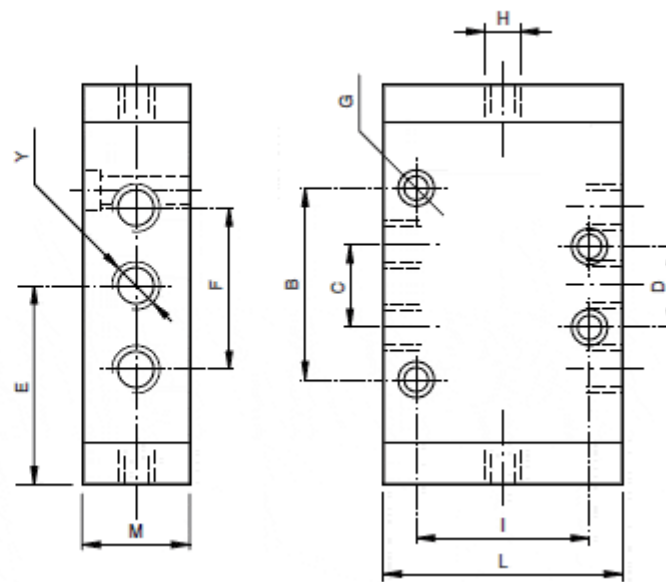
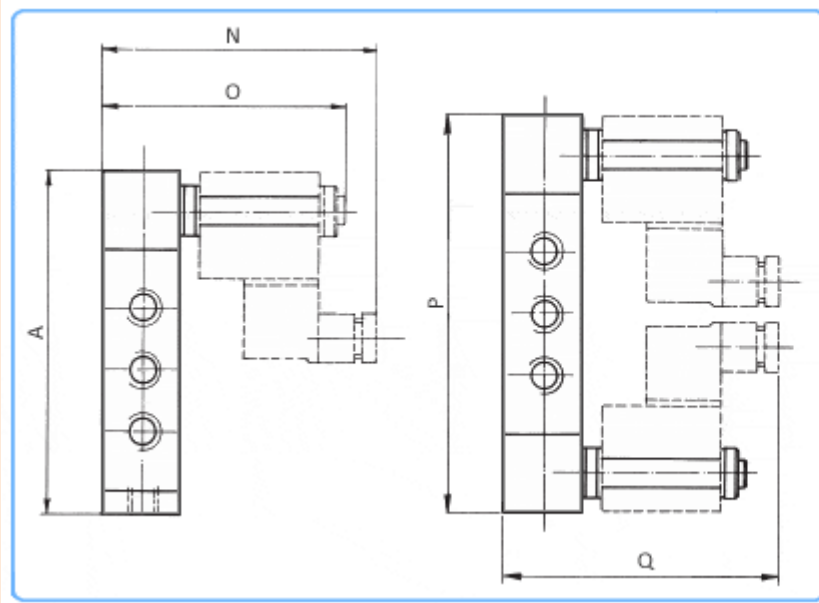
SINGLE STABLE POSITION SOLENOID OPERATED 5/2 ways from 1/8" to 3/8"



SIZE	PORT	A	B	C	D	E	F	G	H	I	L	M	X	Z	MODEL	Version
A	1/8"-1/4"	104	36	18	18	61	36	4,5	M12X0,5	26	40	25	140	155,5	EC-13	02 L/E
B	1/4"-3/8"	134	60	22	22	76	44	5,5	M12X0,5	40	52	30	168	185,5	EC-51	02 L/E

SINGLE – DOUBLE POSITIONS SOLENOID OPERATED 5/2 - 5/3 ways 1/2"





PORT Y	A	B	C	D	E	F	G	H	I	L	M	N	O	P	Q	X	MODEL	Version
1/2"	192	108	40	40	92	80	6,5	M12X0,5	50	70	35	85	70	200	88	35	EC-13	01 A/E
																	EC-51	02 A/E

