



Description

Electric Contact Pressure Gauges have been developed for different industrial applications where the indication of the system pressure is required and the circuits in process control systems need to be switched in the meantime. Electric Contact Pressure Gauges are mostly used for the pressure measurement of fluids that do not attack Copper Alloys. In corrosive environments, the versions made of AISI 316L are recommended to be used

Based on the location of the pressure gauge's pointer, the electrical contact switches on or off the control circuits of the system. The electrical contacts, which are adjustable all over the scale range, are mounted on the dial. The limit pointers of the electrical contacts can be adjusted by the adjustment key on the window. As electrical switch contacts, magnetic snap-action contacts are being used.

Industrial Applications

Process control, petrochemical plants, mining industry, machine building, pumps/compressors, hydraulic/pneumatic systems, water and waste water treatment systems, HVAC systems, etc.

General Specifications

Conformity:

EN 837-1

Gauge Sizes (mm):

Ø100, Ø160

Unit: bar/psi

Measurement Ranges:

-1/0, 0/0,6 bar ...1000 bar (-15/0, 0/9.... 15000 psi)

Equivalent compound gauge scales

Accuracy Class: Cl.1,0

Working Pressure: 75% of Full Scale

Overpressure Resistance:

1,25x Full Scale (Up to 100bar)

1,15x Full Scale (From 100bar to 600bar)

1,1x Full Scale (Over 600bar)

Ingress Protection Rate: IP65

Versions:

Standard, Fillable, Silicone Oil Filled

Working Temperature Range:

Ambient: -20...60°C

Process: -20...60°C, 120°C (Silver Brazed), 200°C (AISI 316L)

Process Connections: G1/2"

Recommended Working Conditions:

Voltage		Ohmic Load	
DC (V)	AC (V)	DC (mA)	AC (mA)
220	220	100	120
110	110	200	240
48	48	300	450
24	24	400	600

Materials:

Bourdon Tube:

Copper Alloy, AISI 316L

Socket:

Brass, AISI 316

Case:

AISI 304, AISI 316L

Cover:

AISI 304, AISI 316L

Movement:

Brass, Stainless Steel

Window:

Polycarbonate

Dial:

Aluminium

Pointer:

Aluminium

Connector:

Plastic (EN 175301-803 A)

Options:

Other Process Connections

Other Pressure Units

Special Dial Design

Dampened Movement (Vib-Lock)

Silver Brazed

Flanged Type

Electrical Contact Types:

NO - NC - NONO - NCNO - NONC - NCNC

Features of Electrical Contact:

Minimum Voltage: 24V

Maximum Voltage: 250V

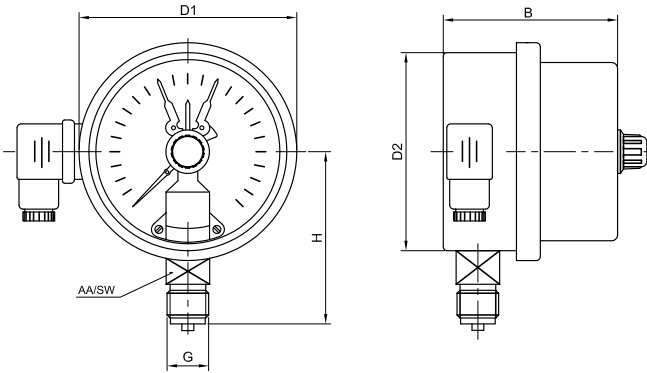
Minimum Power Capacity: 0.4W~0.4VA

Maximum Power Capacity: 30W~50VA

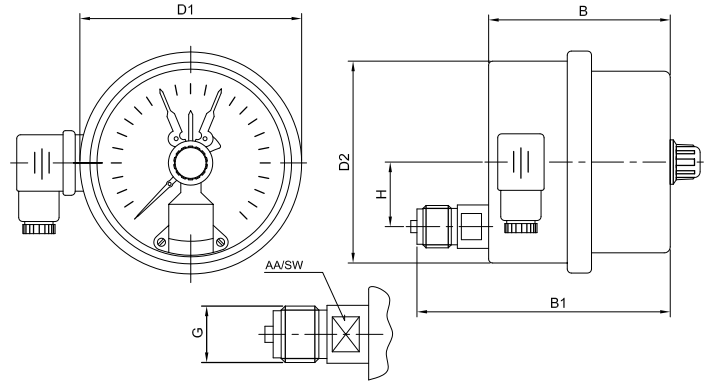
Maximum Current: 1A (Switch on-Switch off),
0.6A (Continuous)

Dimensions (mm)

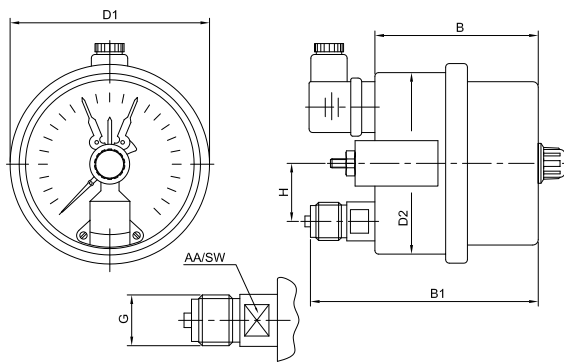
01-Bottom Connection



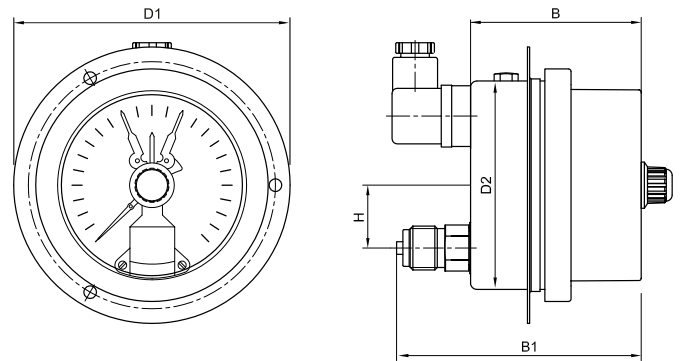
02-Lower Back Connection



03-Lower Back Panel Mount



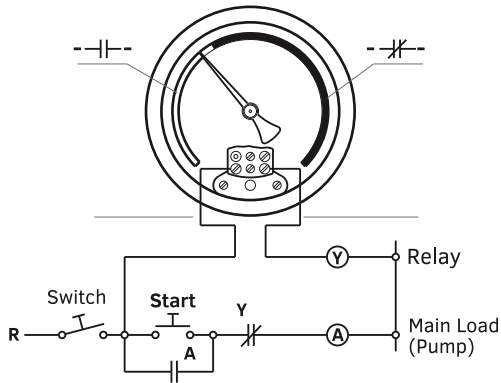
04-Lower Back, Front Flange Connection



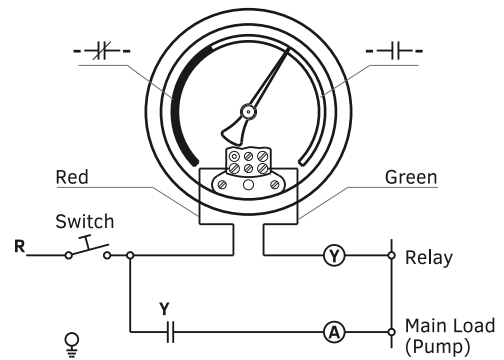
Ø	Connections	Version	Case	Window	Cover	D1	D2	B	B1	H	G	SW
Ø100	Bottom	Standard	Metal	Polycarbonate	Metal	110	100	88	-	87	G1/2"	17
	Lower Back	Standard	Metal	Polycarbonate	Metal	110	100	90	125	32	G1/2"	17
	Lower Back Panel Mount	Standard	Metal	Polycarbonate	Metal	110	100	90	125	32	G1/2"	17
	Lower Back Front Flange	Standard	Metal	Polycarbonate	Metal	132	100	90	125		G1/2"	17
Ø160	Bottom	Standard	Metal	Polycarbonate	Metal	174	160	89	-	89	G1/2"	17

Electrical Circuit Schemes:

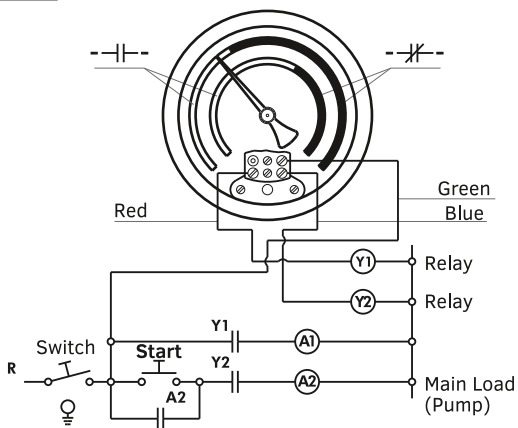
NO



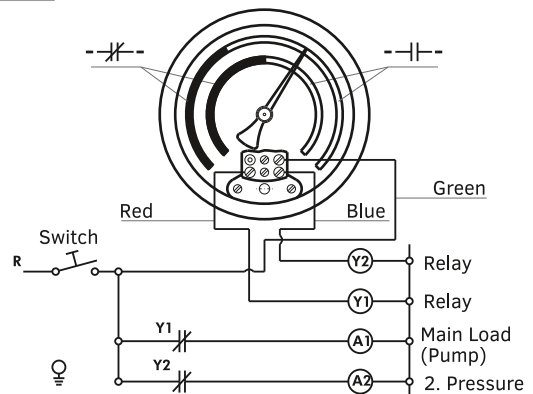
NC



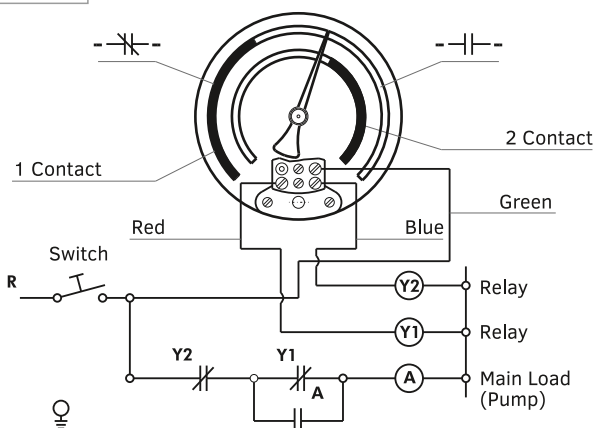
NONO



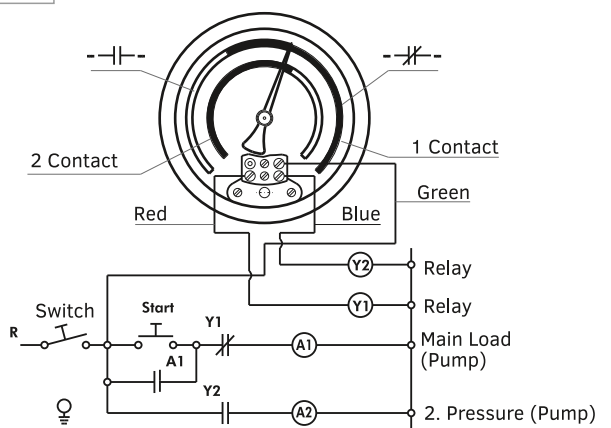
NCNC



NCNO



NONC



Approvals:



Turkish Standards Institution

EN ISO 9001

ISO 9001 Quality Management System



TURKAK Calibration Laboratory Accreditation Certificate



2014/68/EU Pressure Equipment Directive - Certificate of Conformity



211/65/EU Restriction of Hazardous Substances Directive - Declaration of Conformity



Gost Certificate

*System and quality certifications of PAKKENS Inc.
Product and product group certifications may vary*