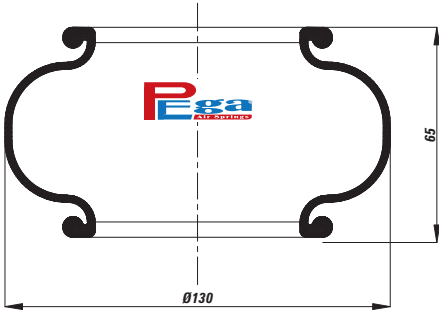


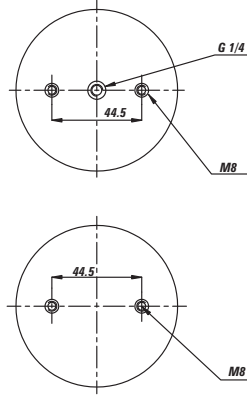
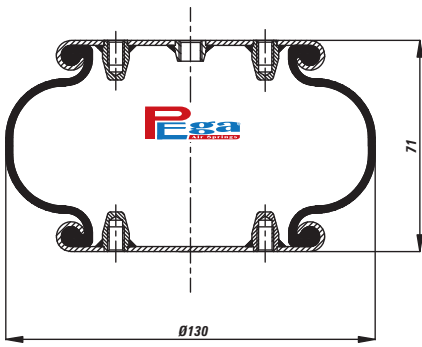


### P30.1131.M01



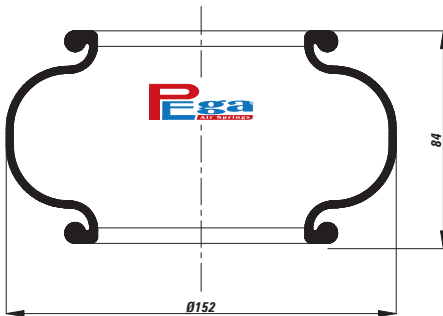
Cross References		OE Part No
CONTITECH	FS 50-5 62242	
FIRESTONE	W01.358-0010	

### P30.1131.P01



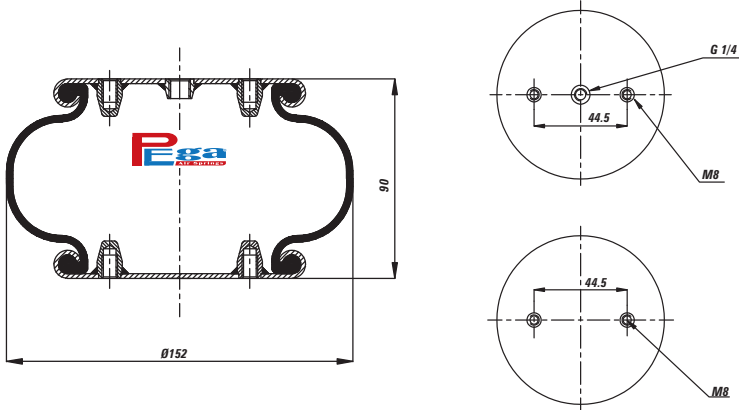
Cross References		OE Part No
CONTITECH	FS 50-5 61388	
FIRESTONE	W01.M58-6140 / 6948	
PHONEIX	1 B04	

### P30.1151.M01



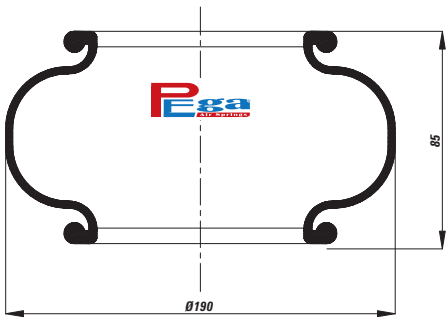
Cross References		OE Part No
CONTITECH	FS 70-7 60512	SCHMITZ 017 685
		WEWELER US 04031 P

**P30.1151.P01**



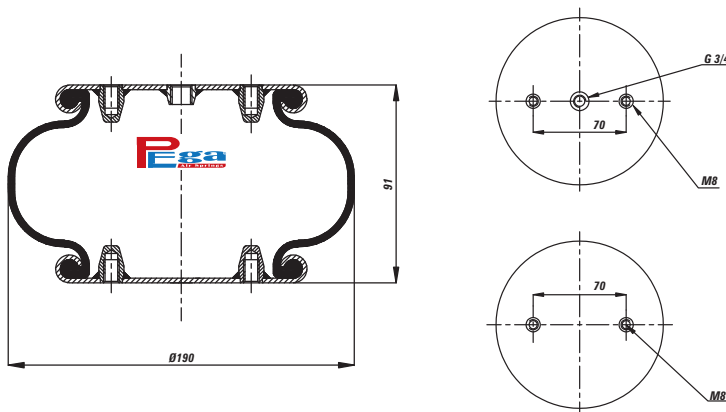
Cross References	OE Part No
<b>CONTITECH</b> FS 70-7 2681 015 000 SP 1B 05	

**P30.1191.M01**



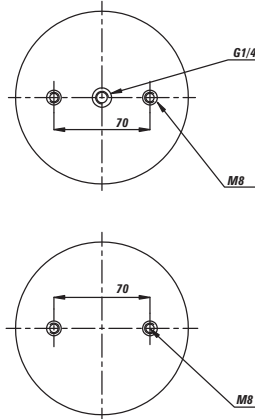
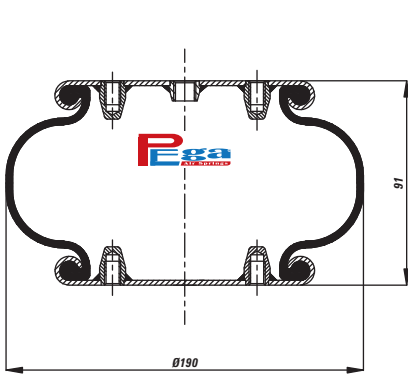
Cross References	OE Part No
<b>CONTITECH</b> FS 120-9 60479 <b>FIRESTONE</b> W01.358-0133	

**P30.1191.P01**



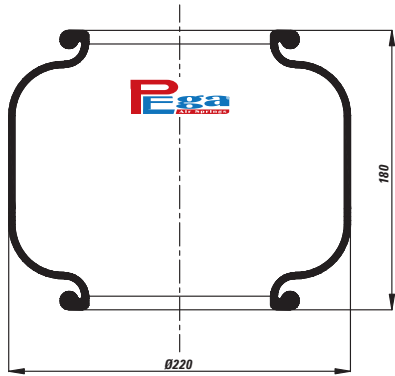
Cross References	OE Part No
<b>CONTITECH</b> FS 120-9 2681 030 000 <b>DUNLOP</b> 8" X1 S08 101 <b>FIRESTONE</b> W01.M58-6165	

**P30.1191.P02**



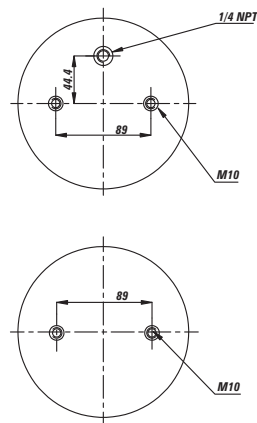
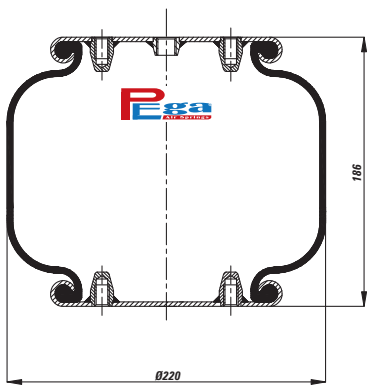
Cross References		OE Part No
CONTITECH	FS 120-9 61358	
DUNLOP	8" X1 S08 100	
FIRESTONE	W01.M58-6166	
PHOENIX	1 B 07	

**P30.1211.M01**



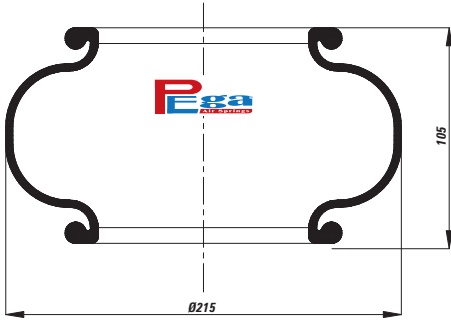
Cross References	OE Part No
	GART T291/B

**P30.1211.P01**



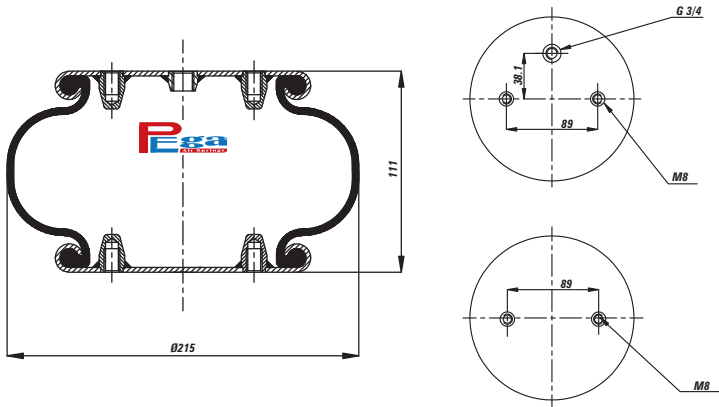
Cross References	OE Part No
	GART T291/B (291.1.170)

### P30.1212.M01



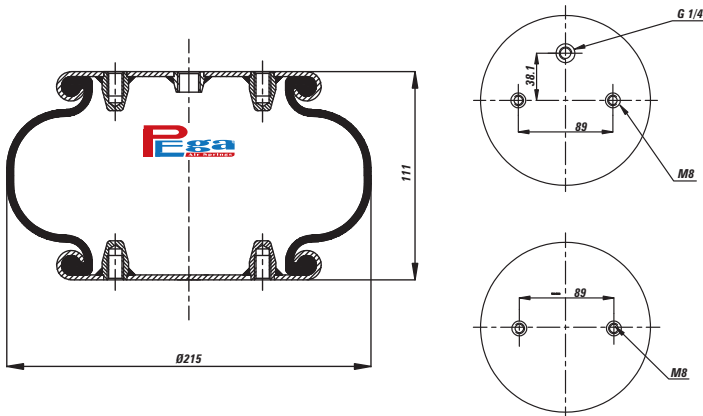
Cross References		OE Part No
CONTITECH	FS 200-10 60319	

### P30.1212.P01



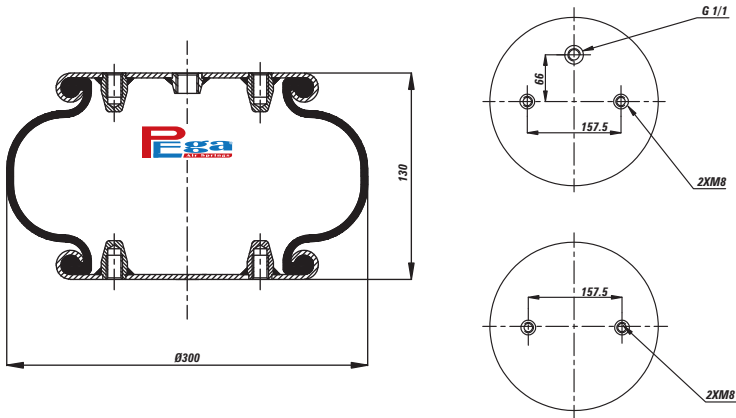
Cross References		OE Part No
CONTITECH	FS 200-10 3/4 M8	
DUNLOP	9" 1/4X1 S09101	
FIRESTONE	W01.M58-6374	
PHOENIX	SP 1 B 12	

### P30.1212.P02



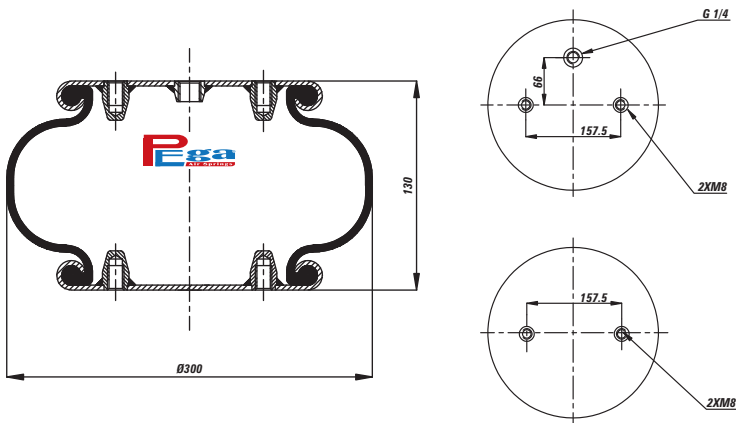
Cross References		OE Part No
CONTITECH	FS 200-10 1/4 M8	
DUNLOP	S09100	
PHOENIX	SP 1 B 12	

### P30.1301.P01



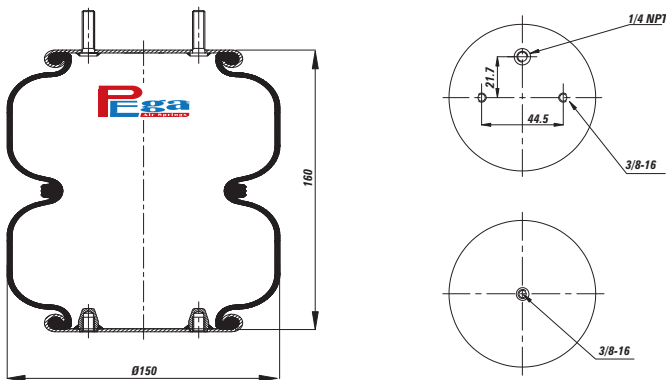
Cross References		OE Part No
CONTITECH	FS 330-11 1/1 M8	

### P30.1301.P02



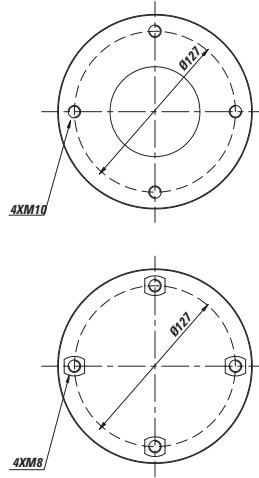
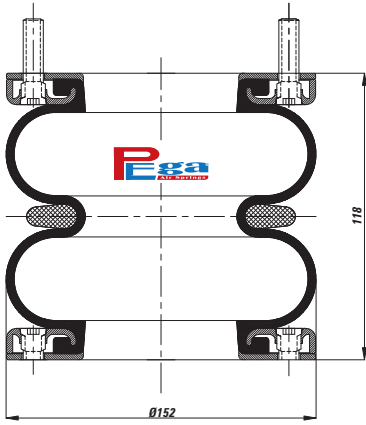
Cross References		OE Part No
CONTITECH	FS 330-11 1/4 M8	

### P30.2150.P01



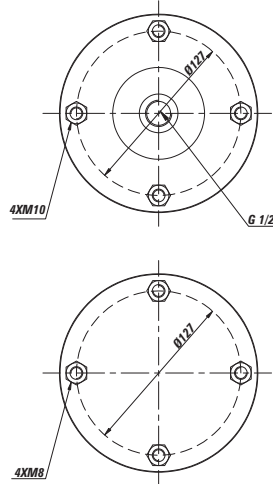
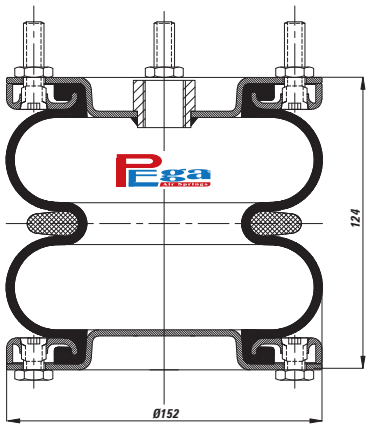
Cross References		OE Part No
FIRESTONE	A01.760.6781	

### P30.2151.F01



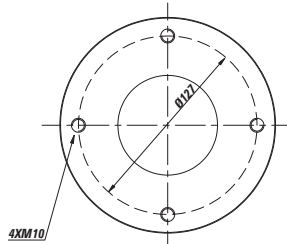
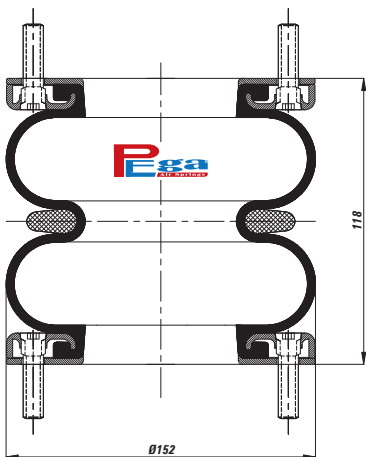
Cross References		OE Part No
DUNLOP	6"X2	

### 30.2151.F02



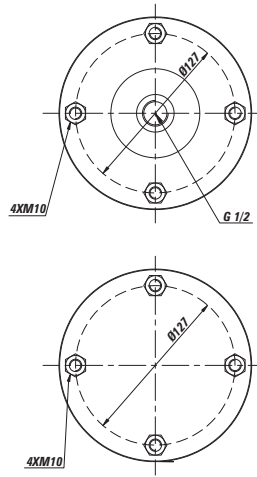
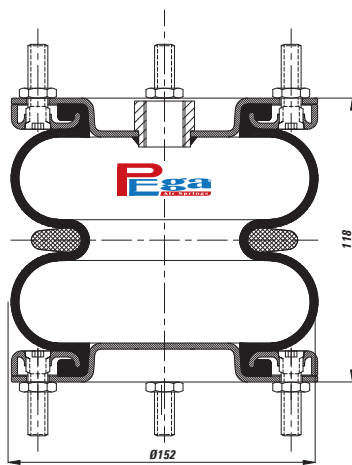
Cross References		OE Part No
DUNLOP	DB 06219	

### P30.2151.F03



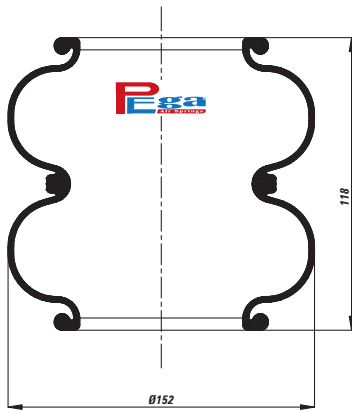
Cross References		OE Part No
DUNLOP	6"X2	

### P30.2151.F04



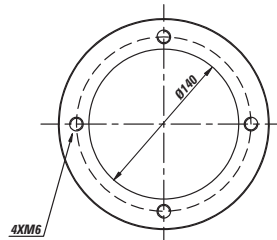
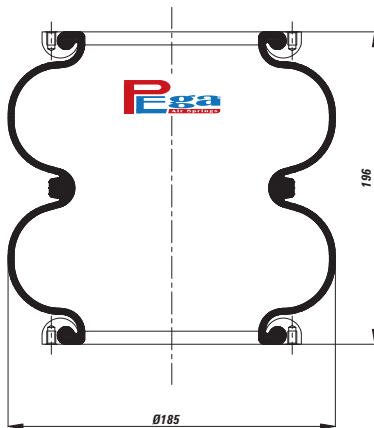
Cross References		OE Part No
DUNLOP	6"X2 SP1482	

### P30.2151.M01



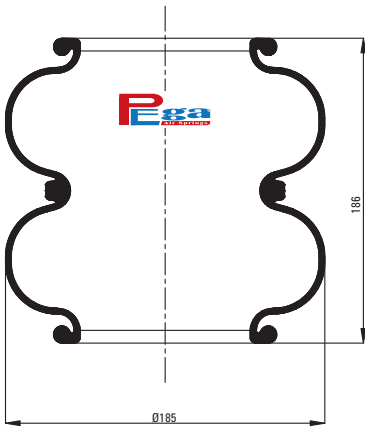
Cross References		OE Part No
DUNLOP	6"X2 SP917	

### P30.2181.F01



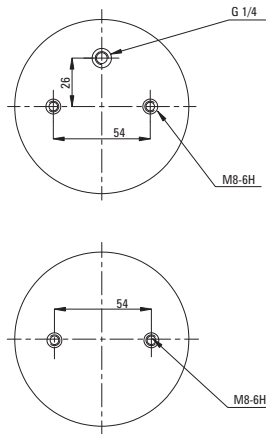
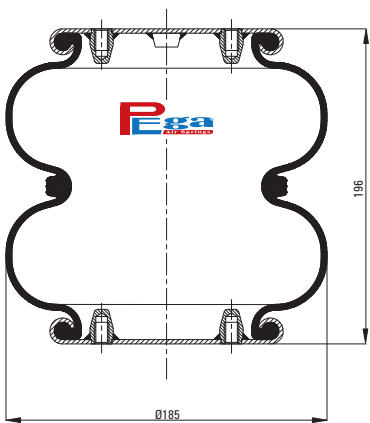
Cross References		OE Part No

### P30.2181.M01



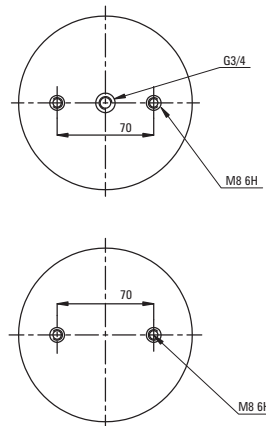
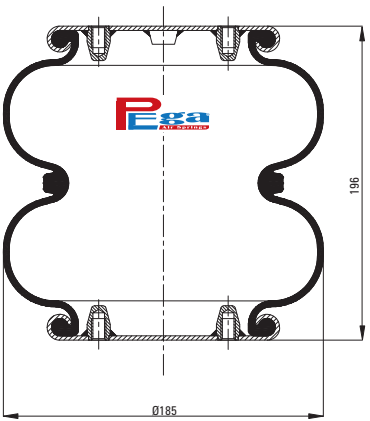
Cross References		OE Part No	
CONTITECH	603 N	GRANNING	15801
FIRESTONE	W01.358-0142		
PHOENIX	2B 07R		
PIRELLI	26		

### P30.2181.P01



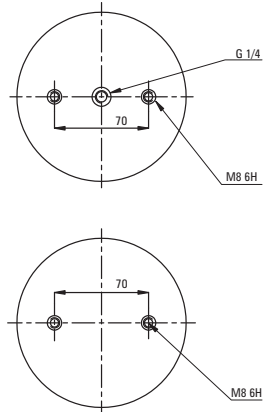
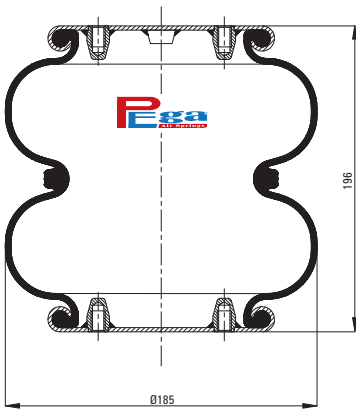
Cross References		OE Part No	
CONTITECH	603 N	GIGANT	196208
DUNLOP	PNP 305510111		
GOOD YEAR	2B 8-550		
PHOENIX	SP 2B 07R		
PIRELLI	26		

### P30.2181.P02



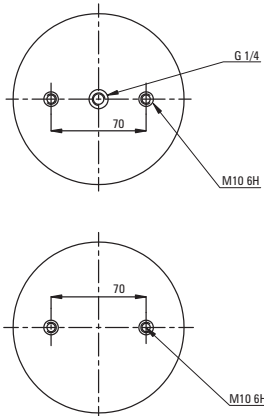
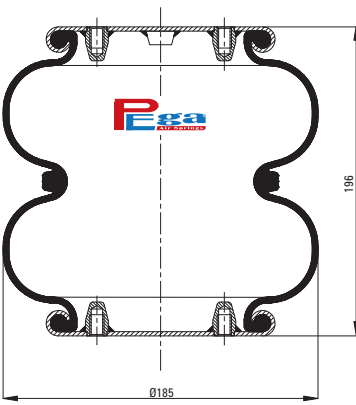
Cross References		OE Part No	
CONTITECH	FD 120-17	GIGANT	196028
DUNLOP	SO 8201		
FIRESTONE	W01.M58-6378	GRANNING	16036
GOOD YEAR	2B 7-540	HENDRICKSON	NA 1821
PIRELLI	T26 84181		
TAURUS	KF 218		

**P30.2181.P03**



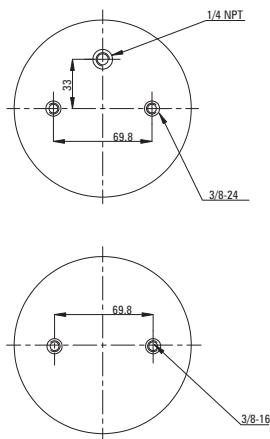
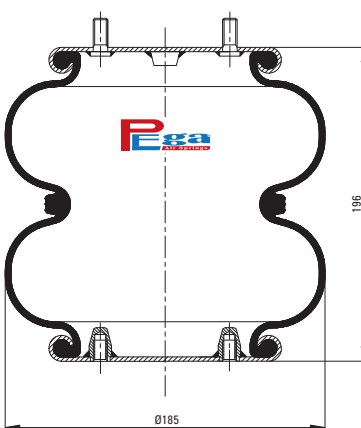
Cross References		OE Part No	
<b>FIRESTONE</b>	<b>W01.M58-6353</b>	<b>GIGANT</b>	<b>196028</b>

**P30.2181.P04**



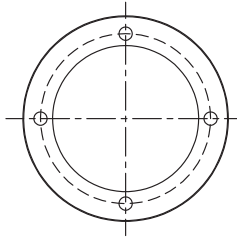
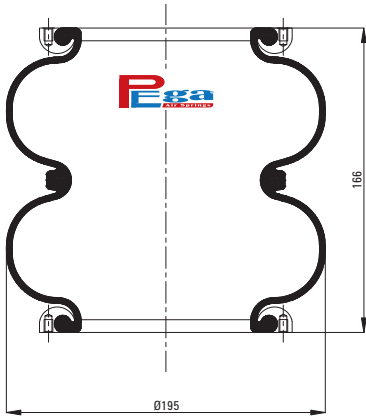
Cross References		OE Part No	
------------------	--	------------	--

**P30.2190.P01**



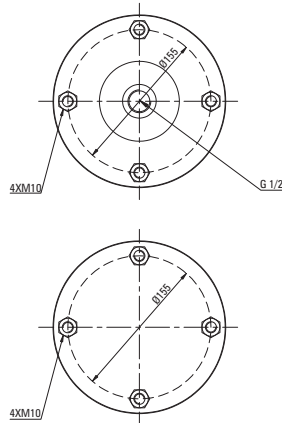
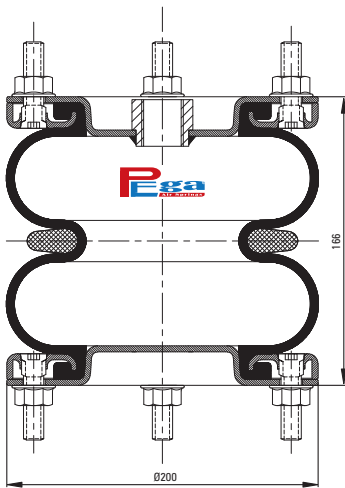
Cross References		OE Part No	
------------------	--	------------	--

**P30.2190.F01**



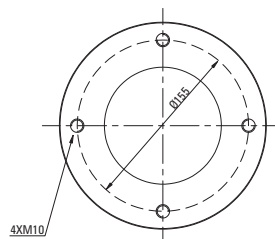
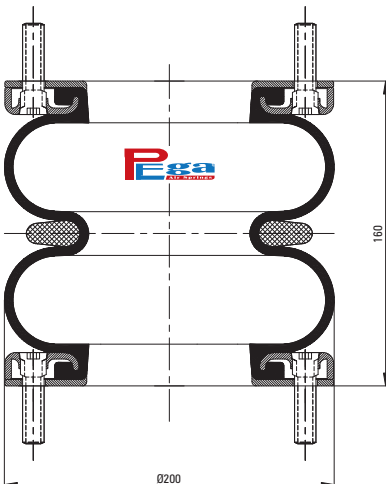
Cross References	OE Part No

**P30.2201.F01**



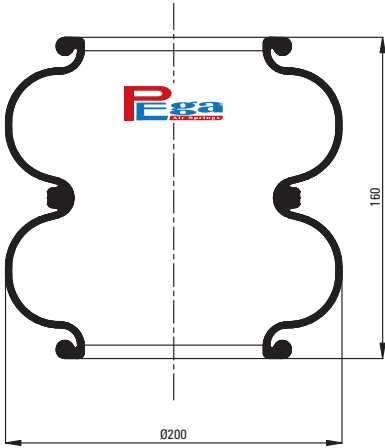
Cross References	OE Part No
<b>CONTITECH</b> FD 138-18 1/2 M10	<b>FRUEHAUF</b> F48054M80A04
<b>DUNLOP</b> SP 1490 (8"X2)	<b>GRANNING</b> 15803 / A06030604

**P30.2201.F02**



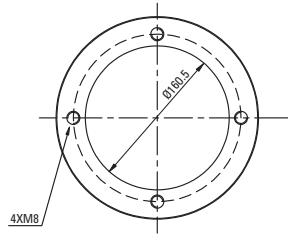
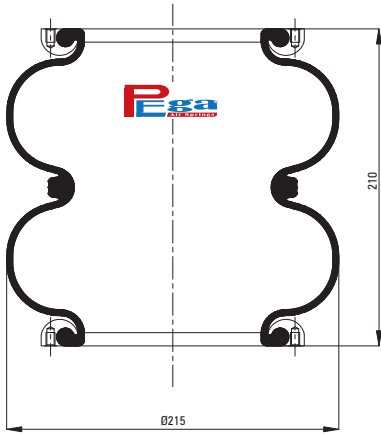
Cross References	OE Part No

### P30.2201.M01



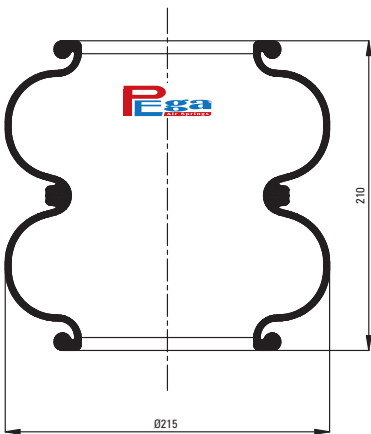
Cross References		OE Part No
CONTITECH	FD 138-18 S	
DUNLOP	8"X2	

### P30.2211.F01



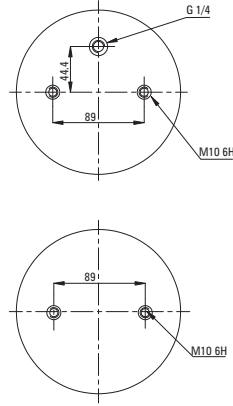
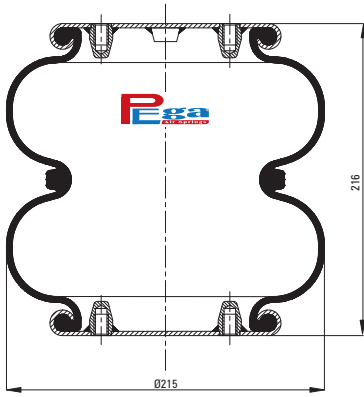
Cross References		OE Part No
DUNLOP	SP 254	
FIRESTONE	20	
PHOENIX	2B12R	
PIRELLI	T20	

### P30.2211.M01



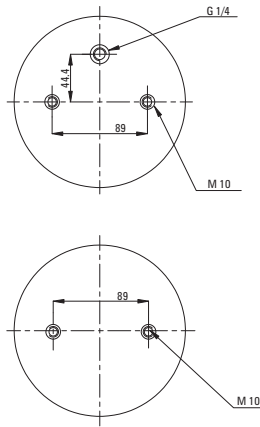
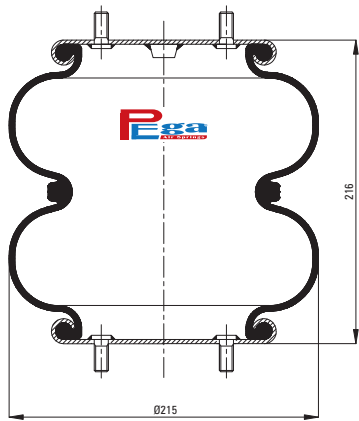
Cross References		OE Part No
CONTITECH	FD 200-19 S (895N)	GRANNING 15947
DUNLOP	S09201	
FIRESTONE	W01-095-0009	
GOOD YEAR	2B9-200	
PHOENIX	2B12R	
PIRELLI	T20 86600	

### P30.2211.P01



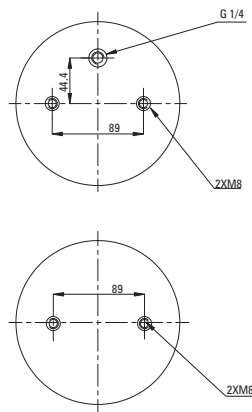
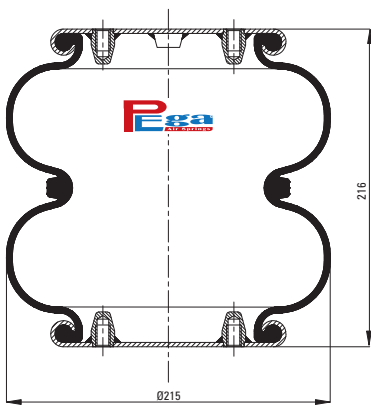
Cross References		OE Part No	
<b>CONTITECH</b>	FD 200-19 1/4 M10	<b>GART</b>	T291/2 (291.2.200)
<b>DUNLOP</b>	9" S0 9201	<b>GRANNING</b>	15603
<b>FIRESTONE</b>	W01-M58-6887/6910	<b>MERITOR</b>	2122 1395 / 2122 2663
<b>GOOD YEAR</b>	2B9-201	<b>WEWELER</b>	US 06910 F
<b>PHOENIX</b>	SP 2B 12R		
<b>PIRELLI</b>	T20		

### P30.2211.P02



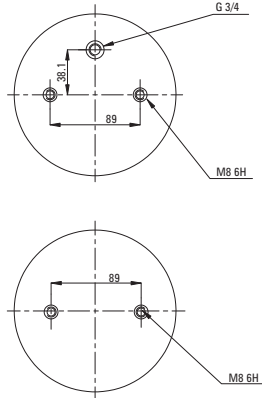
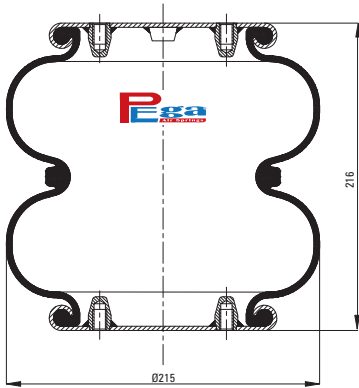
Cross References		OE Part No	

### P30.2211.P03



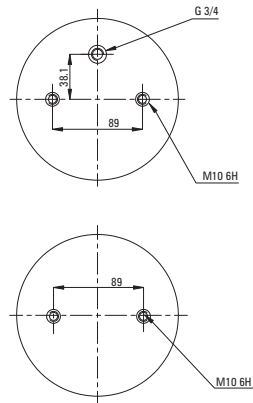
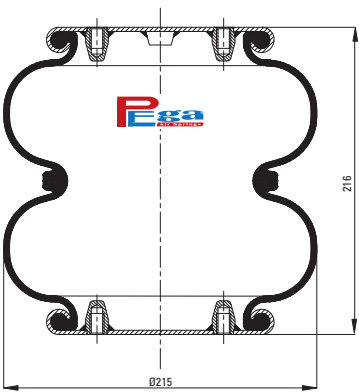
Cross References		OE Part No	
<b>CONTITECH</b>	FD 200-19 1/4 M8	<b>GIGANT</b>	190130
<b>DUNLOP</b>	S09201	<b>GRANNING</b>	15603
<b>FIRESTONE</b>	20-2		
<b>PHOENIX</b>	SP2B12R-1		
<b>PIRELLI</b>	T20		

### P30.2211.P04



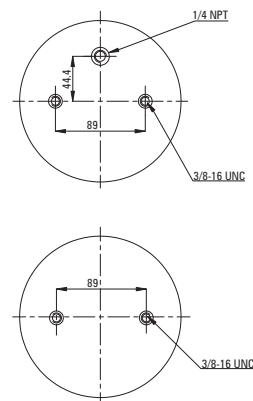
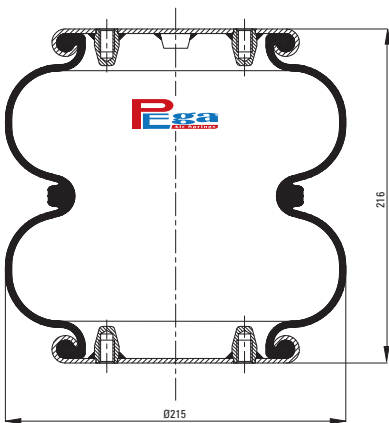
Cross References		OE Part No	
<b>CONTITECH</b>	<b>FD 200-19 3/4 M8</b>	<b>GRANNING</b>	<b>A06030604</b>
<b>DUNLOP</b>	<b>S09202</b>	<b>MERCEDES</b>	<b>A 942 327 0601</b>
<b>FIRESTONE</b>	<b>20</b>	<b>MERITOR</b>	<b>2122 1395</b>
<b>PHOENIX</b>	<b>2B 12R-1</b>		
<b>PIRELLI</b>	<b>T20</b>		

### P30.2211.P05



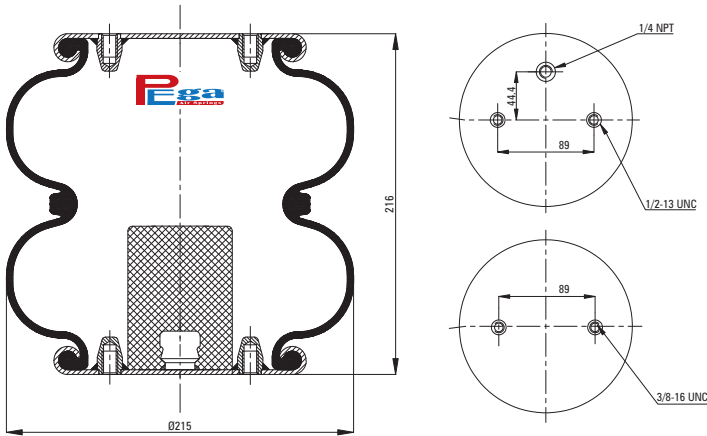
Cross References		OE Part No	
<b>CONTITECH</b>	<b>FD 200-19 3/4 M10</b>		
<b>DUNLOP</b>	<b>S09202</b>		
<b>FIRESTONE</b>	<b>20</b>		
<b>PHOENIX</b>	<b>SP2B12R-1</b>		
<b>PIRELLI</b>	<b>T20</b>		

### P30.2211.P06



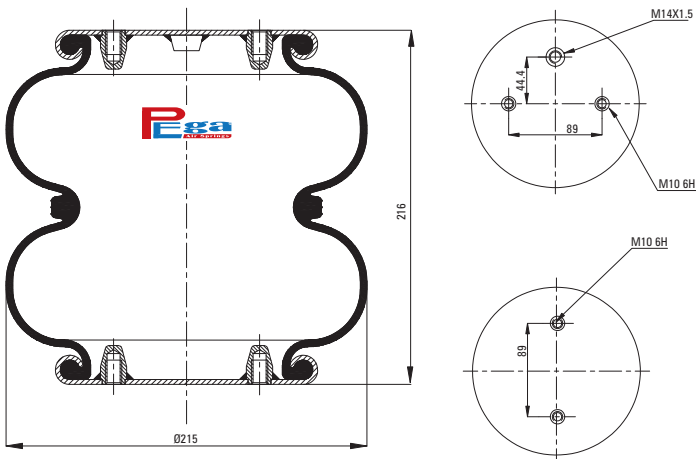
Cross References		OE Part No	
<b>FIRESTONE</b>	<b>W01-358-6910</b>	<b>GRANNING</b>	<b>1371</b>
<b>GOOD YEAR</b>	<b>2B9-200</b>	<b>HENDRICKSON</b>	<b>45843-3 /B-8768</b>
<b>TAURUS</b>	<b>KF218-6910</b>		

### P30.2211.P07



Cross References		OE Part No	
<b>FIRESTONE</b>	<b>W01-358-6902</b>	<b>GRANNING</b>	<b>4848</b>
<b>GOOD YEAR</b>	<b>2B9-201</b>	<b>HENDRICKSON</b>	<b>S2630 / B2630</b>
<b>TAURUS</b>	<b>KF218-6902</b>		

### P30.2211.P08



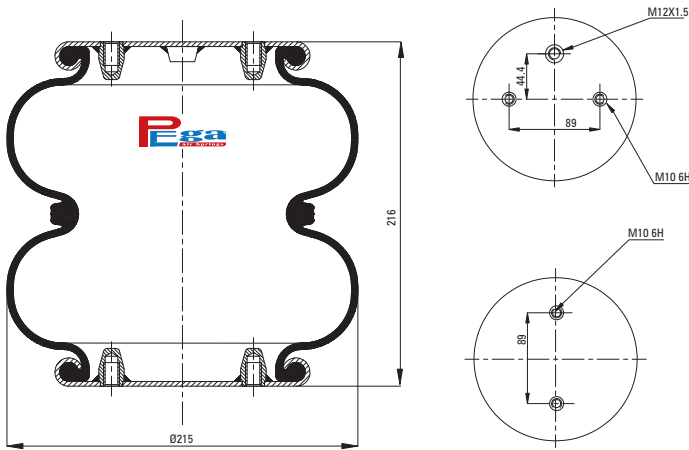
Cross References		OE Part No	
		<b>SCANIA</b>	<b>1387283</b>

### P30.2211.P10



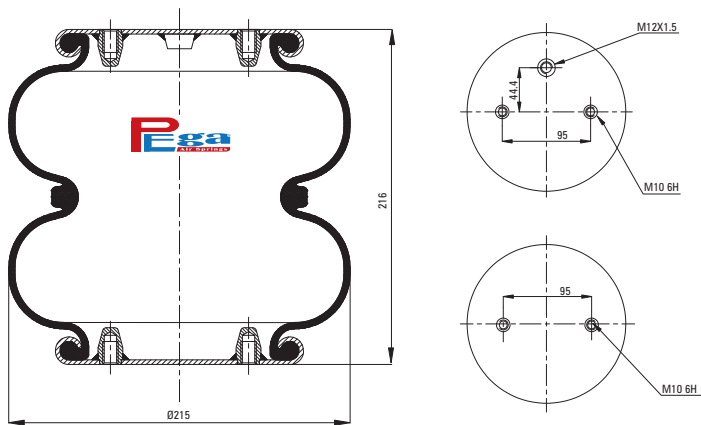
Cross References		OE Part No	
<b>GOOD YEAR</b>	<b>2B9-280</b>		

### P30.2211.P11



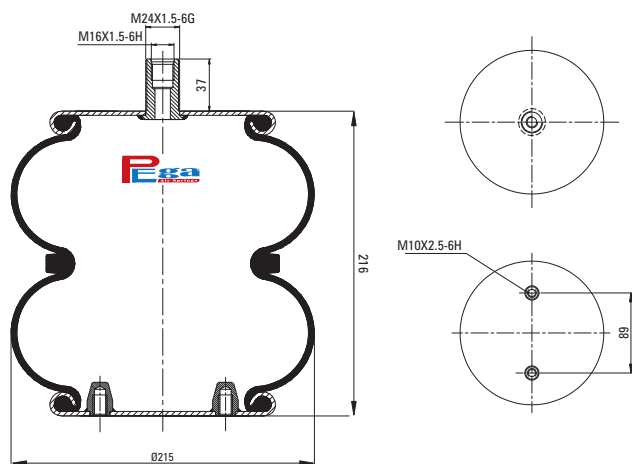
Cross References		OE Part No	
CONTITECH	FD 200-19 P04	GRANNING	A06030604
DUNLOP	9" S09208	SAF	4.229.1004.00
FIRESTONE	W01-M58-7894	SCANIA	131 9761-138 7289
GOOD YEAR	2B9-287		
PHOENIX	2B12R-3		
PIRELLI	T20 86660		
TAURUS	KF 216		

### P30.2211.P12



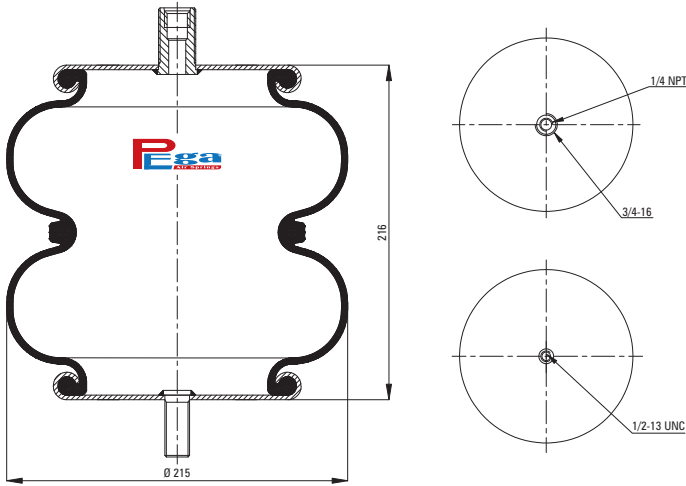
Cross References		OE Part No	
CONTITECH	FD 200-19 P03	SAF	45.98.00.5419.2
DUNLOP	9" S09203		
FIRESTONE	20-2		
PHOENIX	2B12R-3/R-5		
PIRELLI	T20		

### P30.2211.P14



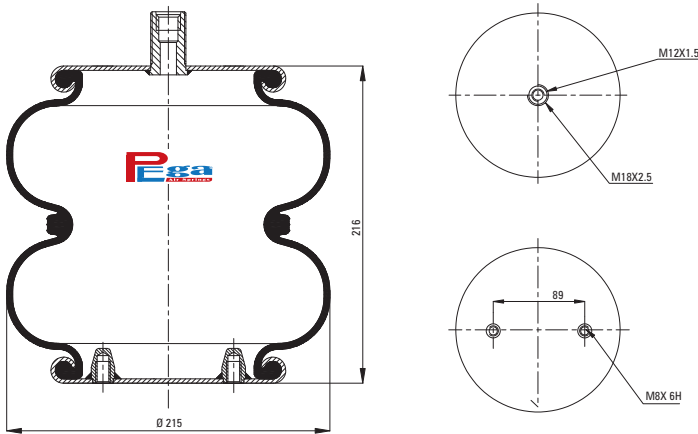
Cross References		OE Part No	
CONTITECH	FD 200-19 P02	MERCEDES	A 942 327 06 01

### P30.2211.P15



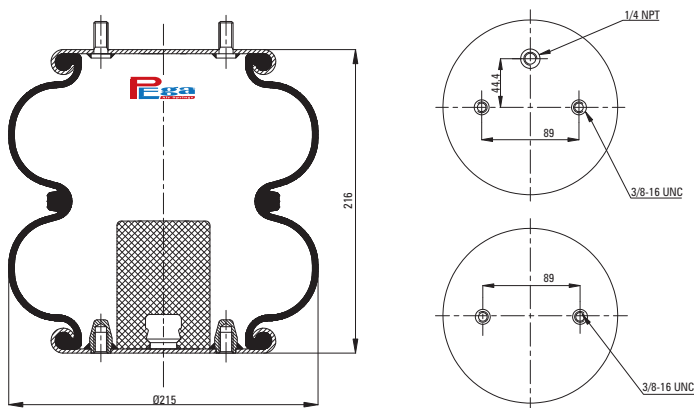
Cross References		OE Part No
<b>FIRESTONE</b>	<b>W01-358-6897</b>	
<b>GOOD YEAR</b>	<b>2B9-229</b>	

### P30.2211.P16



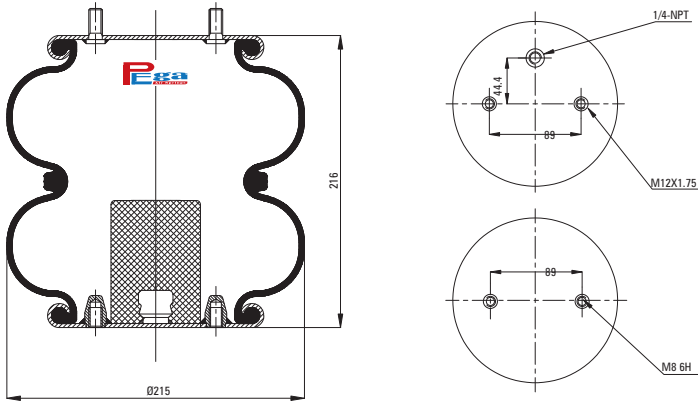
Cross References		OE Part No
<b>FIRESTONE</b>	<b>20 T3 095.0353</b>	

### P30.2211.P17



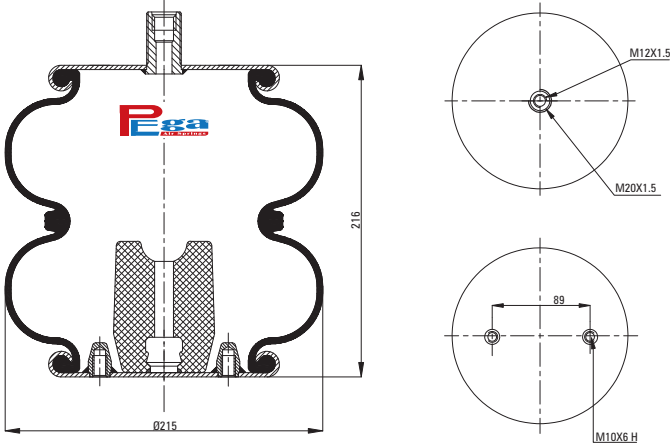
Cross References		OE Part No
<b>FIRESTONE</b>	<b>W01-358-6905</b>	<b>HENDRICKSON S3518 / S5270</b>
<b>GOOD YEAR</b>	<b>2B9-206</b>	
<b>TAURUS</b>	<b>KF218-6905</b>	

### P30.2211.P18



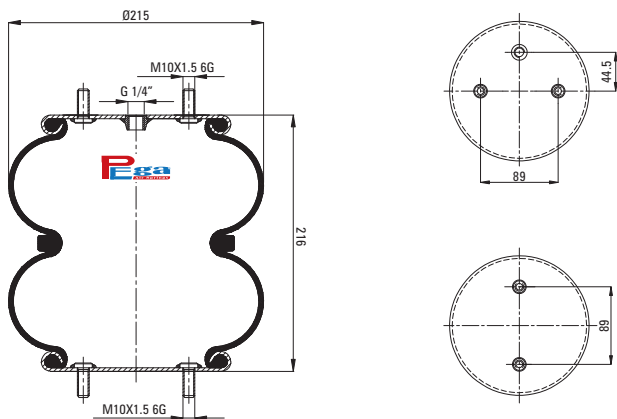
Cross References		OE Part No
<b>FIRESTONE</b>	<b>20 T3 095.0313</b>	

### P30.2211.P21



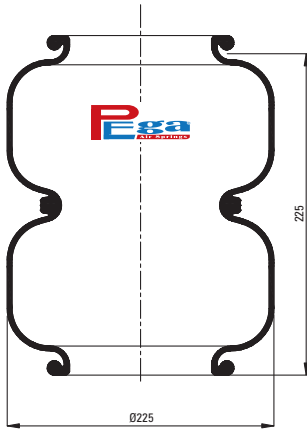
Cross References		OE Part No
<b>DUNLOP</b>	<b>S09201</b>	<b>HENDRICKSON HS507907/P</b>
<b>FIRESTONE</b>	<b>20 C</b>	
<b>PHOENIX</b>	<b>SP 2B12R-12</b>	
<b>PIRELLI</b>	<b>T20</b>	

### P30.2211.P22



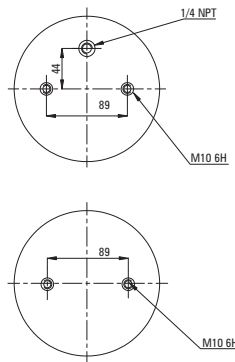
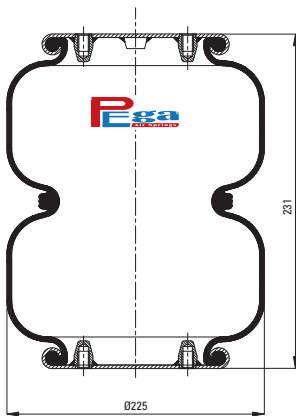
Cross References		OE Part No

### P30.2221.M01



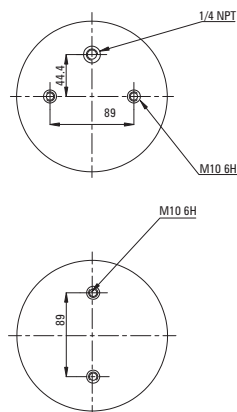
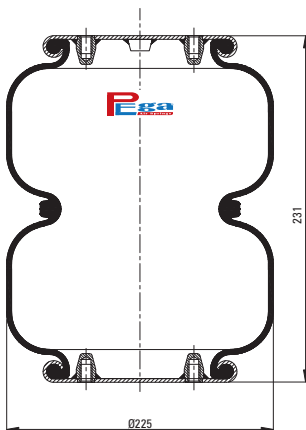
Cross References	OE Part No

### P30.2221.P01



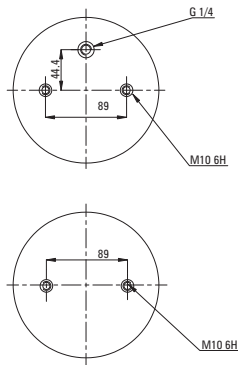
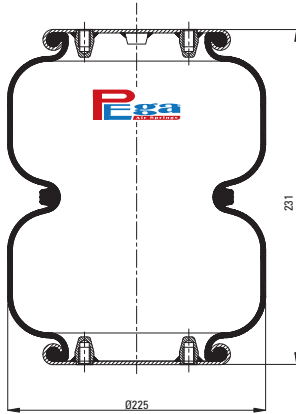
Cross References		OE Part No	
<b>CONTITECH</b>	<b>FD 200-25</b>	<b>GART</b>	<b>T291/2B (291.2.260)</b>
<b>DUNLOP</b>	<b>SO 9280</b>	<b>GRANNING</b>	<b>15670</b>
<b>FIRESTONE</b>	<b>W01-M58-7679</b>	<b>WEWELER</b>	<b>US 07394F</b>
<b>GOOD YEAR</b>	<b>2B9-269</b>		

### P30.2221.P02



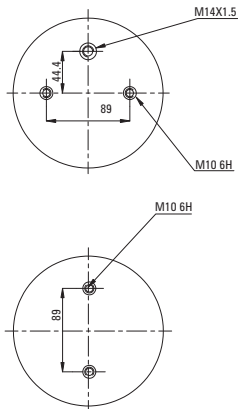
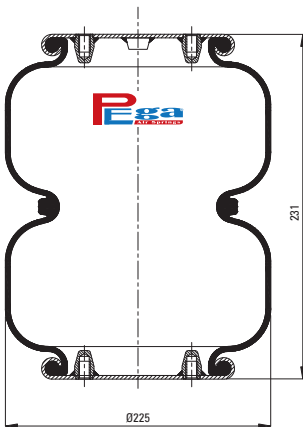
Cross References		OE Part No	
<b>CONTITECH</b>	<b>FD 200-25</b>	<b>GRANNING</b>	<b>15710</b>
<b>FIRESTONE</b>	<b>W01-S05-7182</b>	<b>SAF</b>	<b>1319761</b>
		<b>SCANIA</b>	<b>1387283</b>

### P30.2221.P03



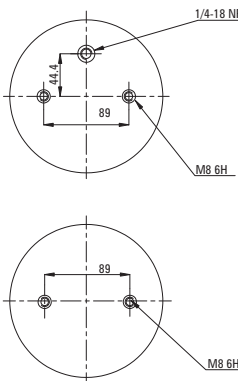
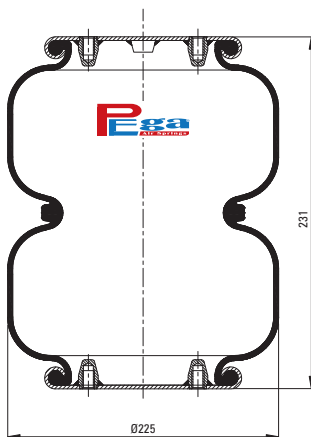
Cross References		OE Part No	
DUNLOP	S09280/ 9"1/4X2	WEWELER	US 07394F
FIRESTONE	W01-M58-7394		

### P30.2221.P04



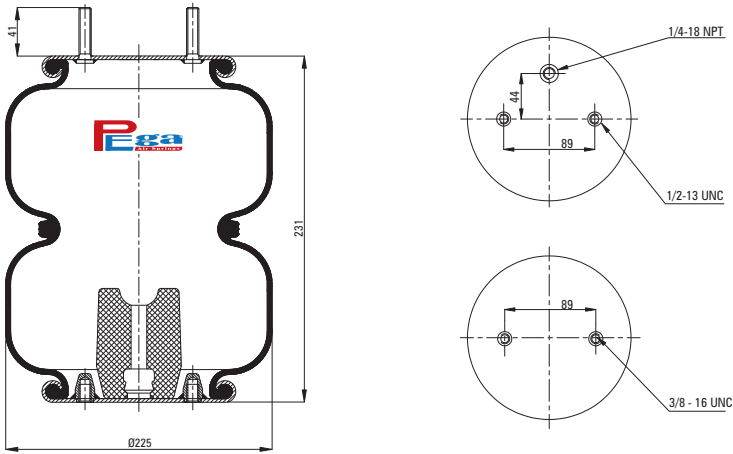
Cross References		OE Part No	
FIRESTONE	W01-M58-6891	SAF	1319761
		SCANIA	1387283

### P30.2221.P05



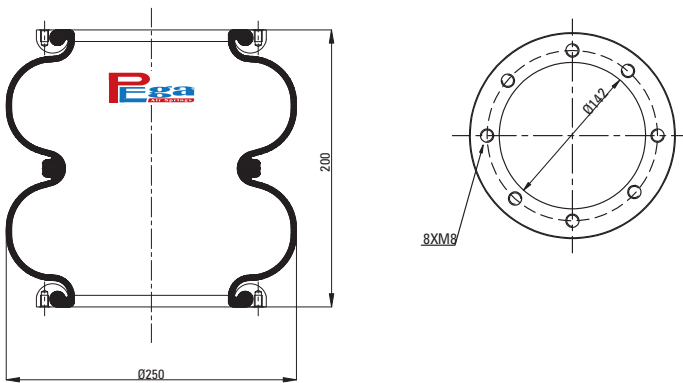
Cross References		OE Part No	
FIRESTONE	20 2T3 095.0256		

### P30.2221.P06



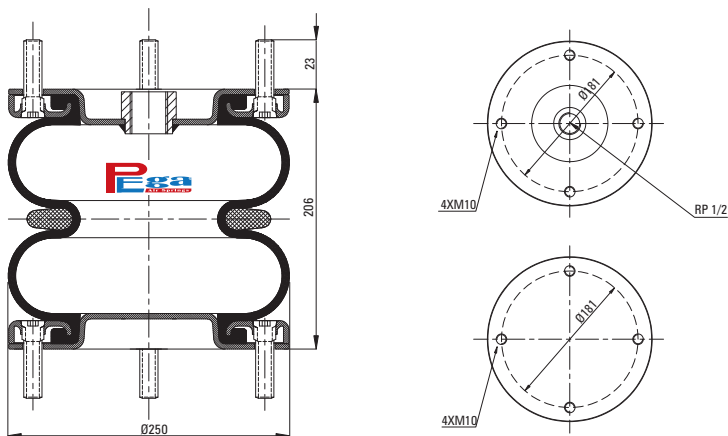
Cross References		OE Part No
<b>FIRESTONE</b>	<b>W01-358-6948</b>	
<b>GOOD YEAR</b>	<b>2B9-251</b>	

### P30.2251.F01



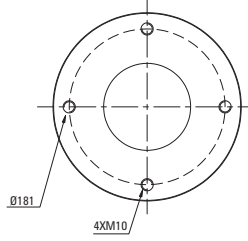
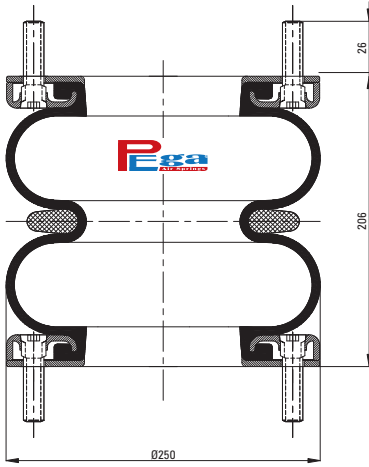
Cross References		OE Part No
<b>PIRELLI</b>	<b>T245 93740</b>	

### P30.2251.F11



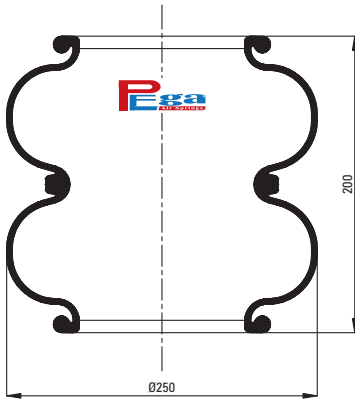
Cross References		OE Part No	
<b>CONTITECH</b>	<b>FD 210-22 1/2 M10</b>	<b>GRANNING</b>	<b>15807</b>
<b>DUNLOP</b>	<b>SP1538 (10X2)</b>		

### P30.2251.F12



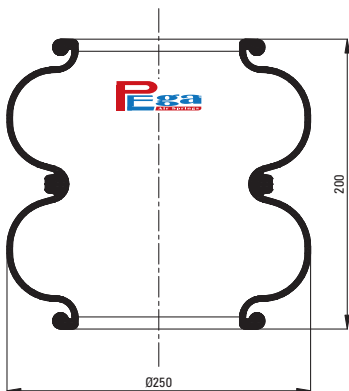
Cross References		OE Part No	
DUNLOP	SP1003 (10X2)	GRANNING	15853

### P30.2251.M01

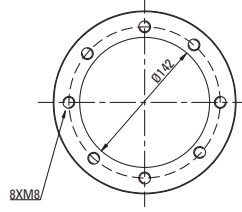
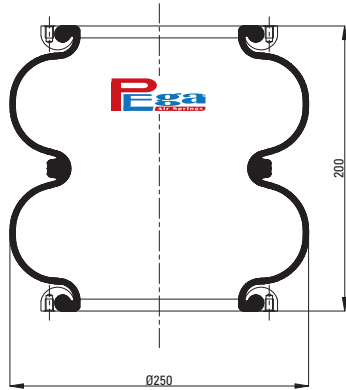


Cross References		OE Part No	
CONTITECH	620 N	BPW	02.2002.00.80
FIRESTONE	W01-095-0219	GRANNING	16051
PHOENIX	2B15R		
PIRELLI	T245 BV 93625		

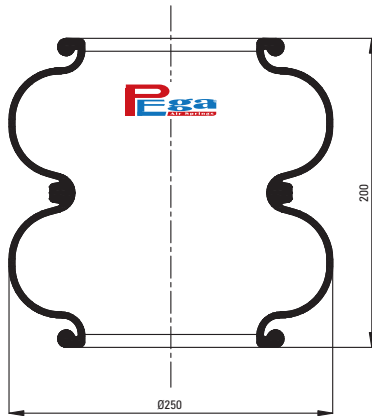
### P30.2251.M11



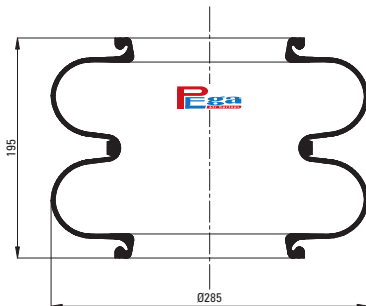
Cross References		OE Part No	
CONTITECH	FD210-22S	GRANNING	15808
DUNLOP	SP920 (10X2)		
FIRESTONE	W01-095-0175		

**P30.2252.F01**
**HYD**

**Cross References**
**CONTITECH** 620 N HYDRO  
**PIRELLI** T245 BV 92141

**OE Part No**
**BPW** 05.4290.00.40  
**VOLVO** 6882797

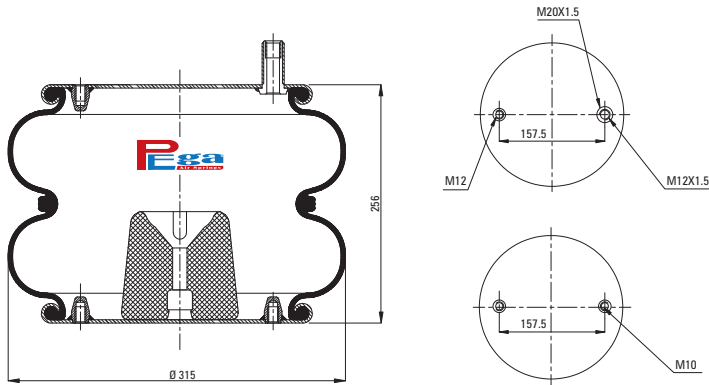
**P30.2252.M01**
**HYD**

**Cross References**
**CONTITECH** 620 N HYDRO  
**PIRELLI** T245 BV

**OE Part No**
**GRANNING** 15710  
**SAF** 1319761  
**SCANIA** 1387283  
**VOLVO** 6882797  
**WEWELER** US 06910 F

**P30.2285.M01**

**Cross References**
**CONTITECH** 608 N

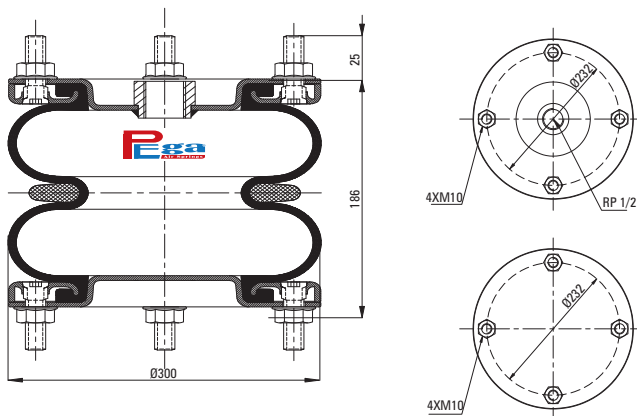
**OE Part No**
**BPW** 02.200.20.50.0  
**GRANNING** 15923  
**KASSBOHRER** 4 731 003 000  
**KASSBOHRER** 4 731 024 000  
**MAN** 88 96420 0217

### P30.2301.P01



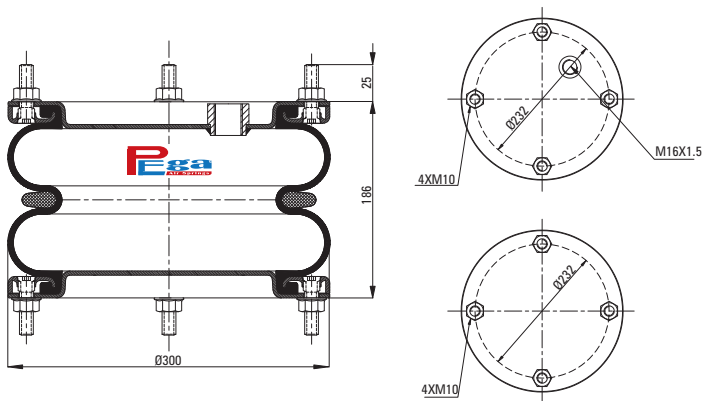
Cross References		OE Part No	
PHOENIX	SP 2B22-RA-2	HENDRICKSON	HS 507906/P

### P30.2302.F01



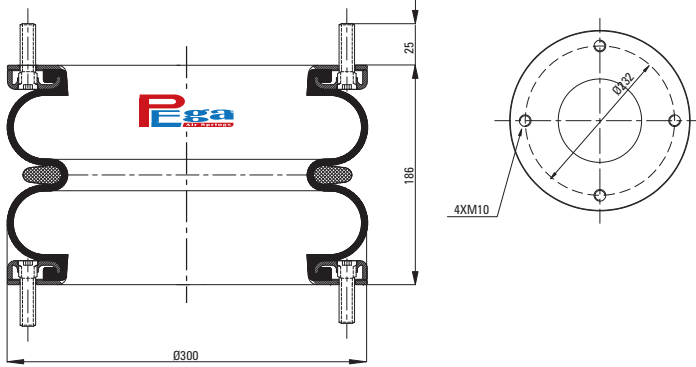
Cross References		OE Part No	
CONTITECH	FD 412-18 1/2 M10	GIGANT	881202
DUNLOP	SP 1541 NB	GRANNING	15813
		WEWELER	USN 5100 11 KD

### P30.2302.F02



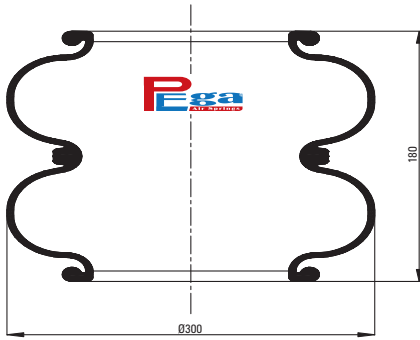
Cross References		OE Part No	
CONTITECH	FD 412-18	FRUEHAUF	U.JB 09 85/A
DUNLOP	SP 2665 (12X2)	GRANNING	15814

### P30.2302.F03



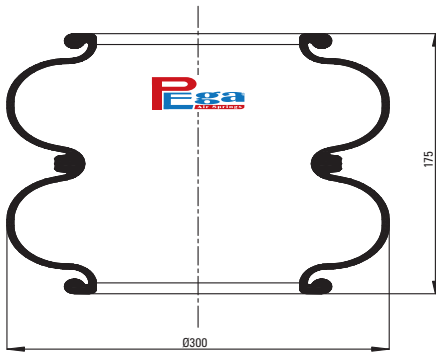
Cross References		OE Part No	
CONTITECH	FD 412-18	GRANNING	15863
DUNLOP	SP 1025 NB		

### P30.2302.M01



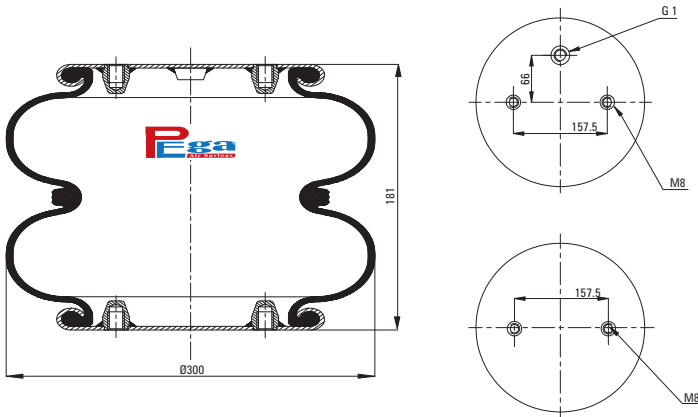
Cross References		OE Part No	
CONTITECH	FD 412-18 S	GRANNING	15603
DUNLOP	SP 256 NB (12X2)		
FIRESTONE	22		
PHOENIX	2B22R		
PIRELLI	T22		

### P30.2303.M01



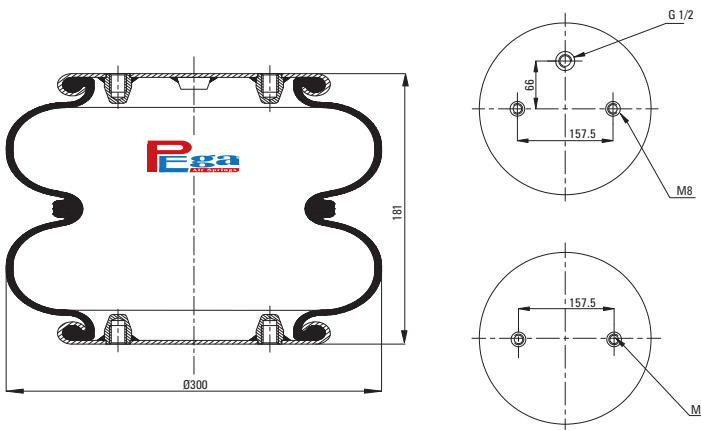
Cross References		OE Part No	
FIRESTONE	W01-358-0226		
PHOENIX	2B 22R		
PIRELLI	T22 88544		

### P30.2303.P01



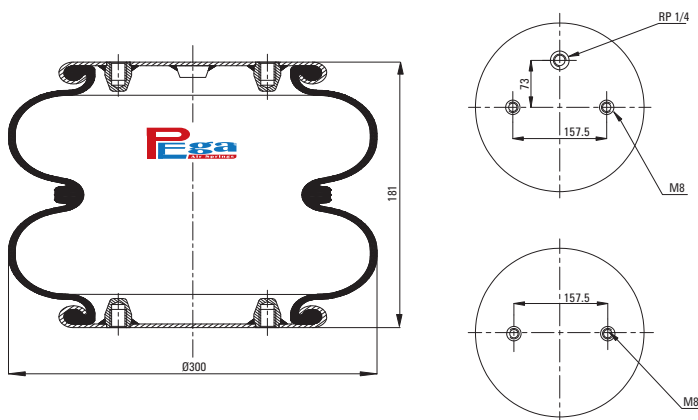
Cross References		OE Part No	
CONTITECH	FD 330-22 1/1 M8	BPW	02.2002.19.00
DUNLOP	S12201	HENDRICKSON	NA 1816
FIRESTONE	22	SAF	2.229.1001.00
PHOENIX	2B22R		
PIRELLI	T22		

### P30.2303.P02



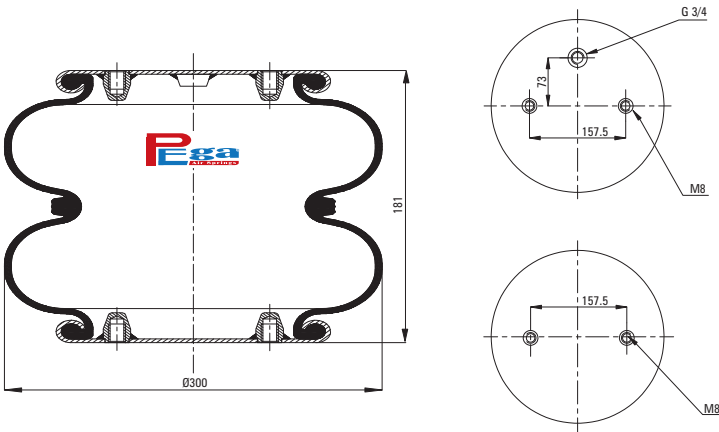
Cross References		OE Part No	

### P30.2303.P03



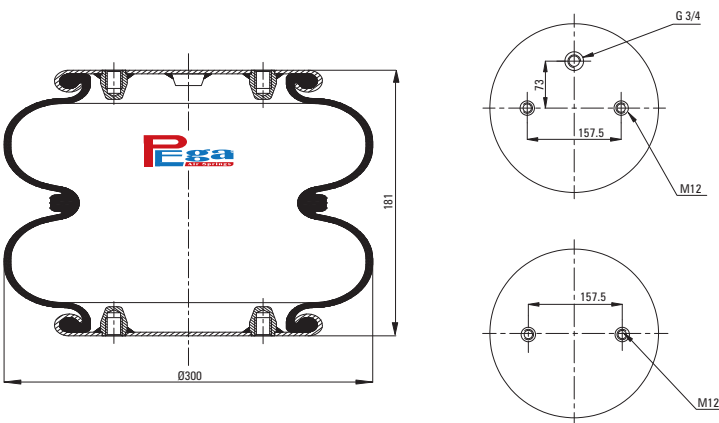
Cross References		OE Part No	
CONTITECH	FD 330-23 1/4 M8	GRANNING	15646
DUNLOP	S12202	HENDRICKSON	NA 1816
FIRESTONE	W01-M58-6381		
GOOD YEAR	2B22R		
PHOENIX	2B22R		
PIRELLI	T22		

### P30.2303.P04



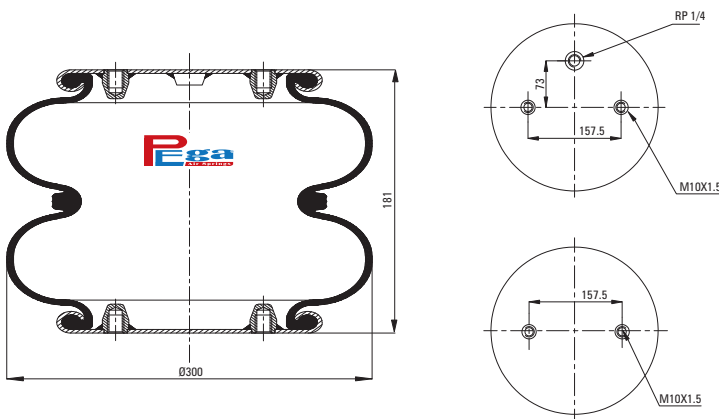
Cross References		OE Part No
CONTITECH	FD 330-22 3/4 M8	
DUNLOP	S12200	
FIRESTONE	W01-M58-6200	
PHOENIX	2B22R	
PIRELLI	T22	

### P30.2303.P05



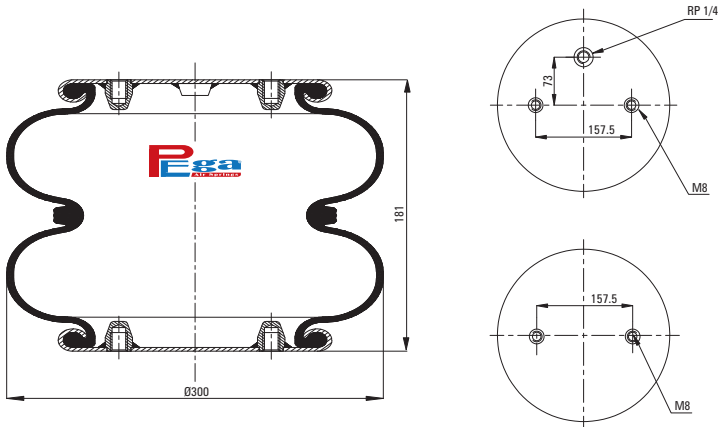
Cross References		OE Part No
CONTITECH	FD 330-22 3/4 M12	
FIRESTONE	22	
PHOENIX	SP2B22R	
PIRELLI	T22	

### P30.2303.P06



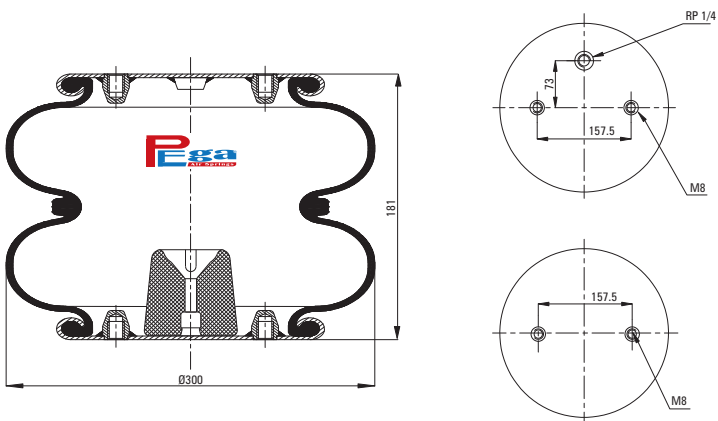
Cross References		OE Part No
CONTITECH	FD 330-22 1/4 M10	GRANNING 15646
DUNLOP	S12201 (12X2)	HENDRICKSON NA 1816
FIRESTONE	22	SAF 3.229.1001.00
PHOENIX	2B22R	
PIRELLI	T22	

### P30.2303.P07



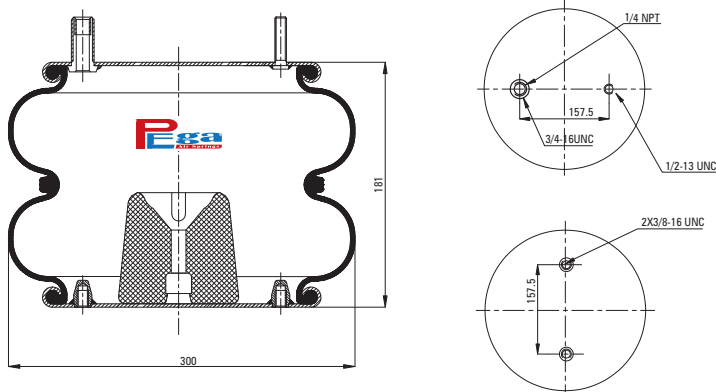
Cross References		OE Part No
<b>PHOENIX</b>	<b>SP2B22R</b>	

### P30.2303.P08



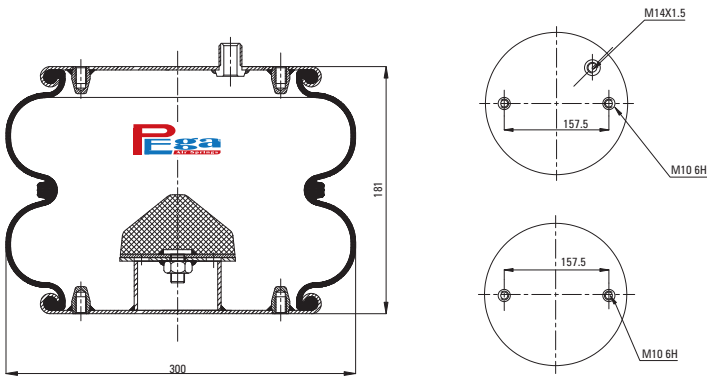
Cross References		OE Part No
<b>FIRESTONE</b>	<b>W01-358-7400</b>	<b>GRANNING</b> 2726
<b>GOOD YEAR</b>	<b>2B12-309</b>	<b>HENDRICKSON</b> S1013 /C1013
<b>TAURUS</b>	<b>KF222-7400</b>	<b>SCANIA</b> 1304528

### P30.2303.P09



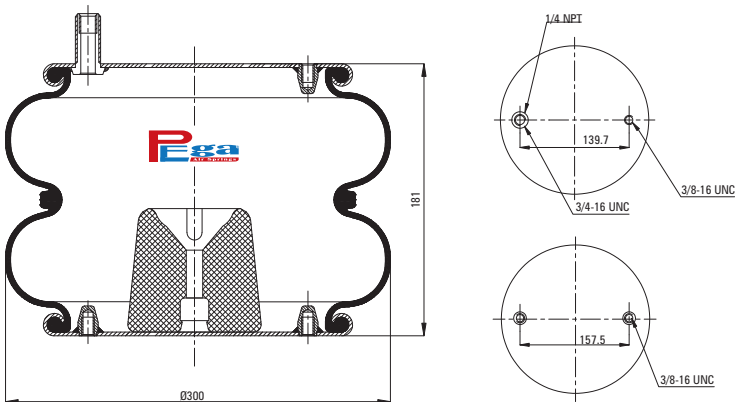
Cross References		OE Part No
<b>FIRESTONE</b>	<b>W01-358-7410</b>	<b>HENDRICKSON</b> S10170
<b>GOOD YEAR</b>	<b>2B12-406</b>	
<b>TAURUS</b>	<b>KF222-7410</b>	

### P30.2303.P10



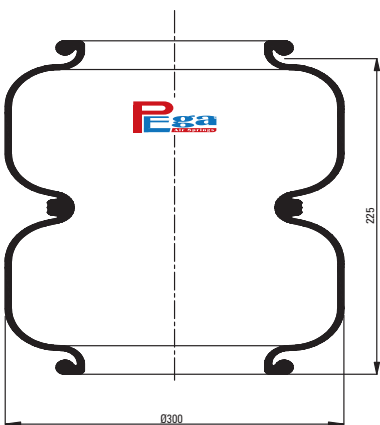
Cross References		OE Part No	
		<b>SCANIA</b>	<b>1510249</b>

### P30.2303.P11



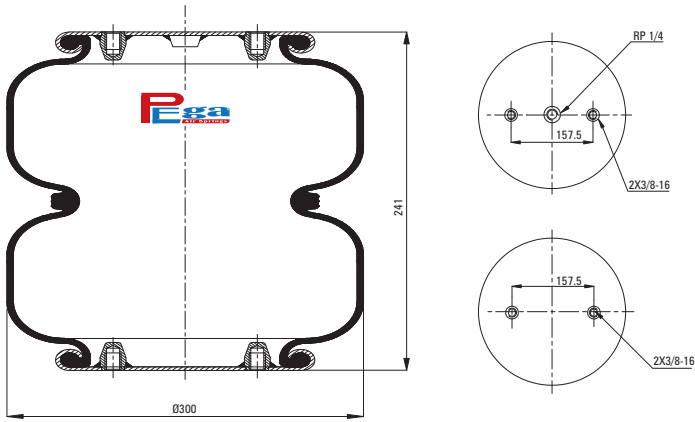
Cross References		OE Part No	
<b>FIRESTONE</b>	<b>W01-358-7403</b>	<b>GRANNING</b>	<b>2725</b>
<b>GOOD YEAR</b>	<b>2B12-307</b>	<b>HENDRICKSON</b>	<b>NA 1860</b>
<b>TAURUS</b>	<b>KF222-7403</b>		

### P30.2304.M01



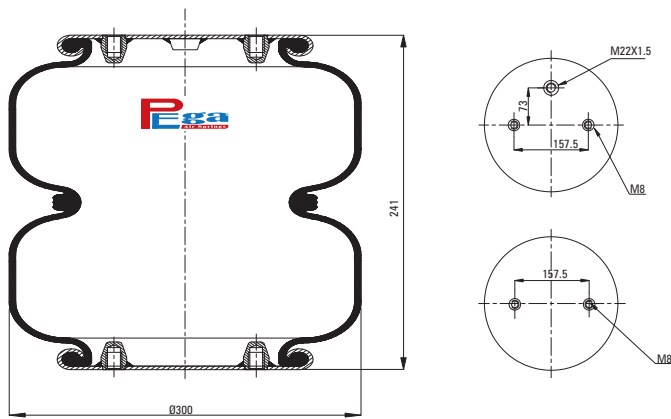
Cross References		OE Part No	
<b>FIRESTONE</b>	<b>W01-358-0259</b>	<b>GRANNING</b>	<b>1218</b>

### P30.2304.P01



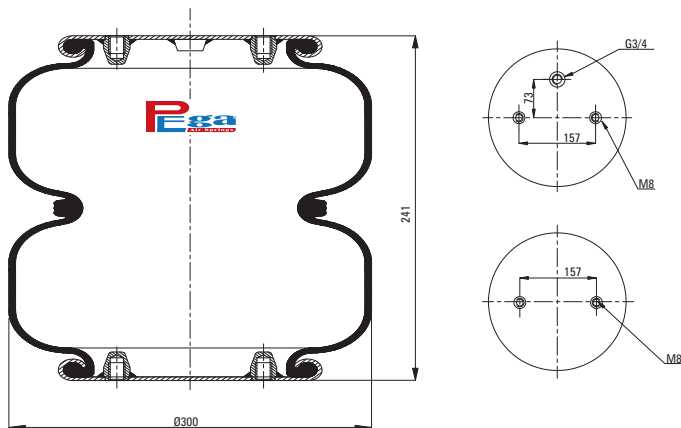
Cross References		OE Part No	
DUNLOP	S 12280	GRANNING	1218
FIRESTONE	W01-358-7443		
GOOD YEAR	2B12-305		

### P30.2304.P02



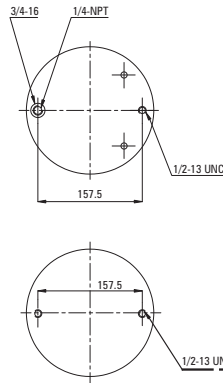
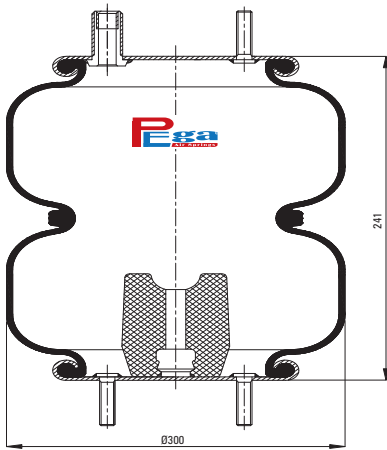
Cross References		OE Part No	
FIRESTONE	22-1.5 T3 095.0258		

### P30.2304.P03



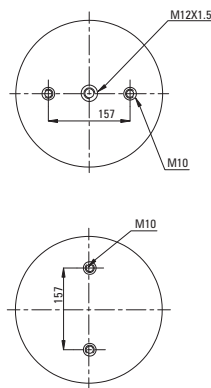
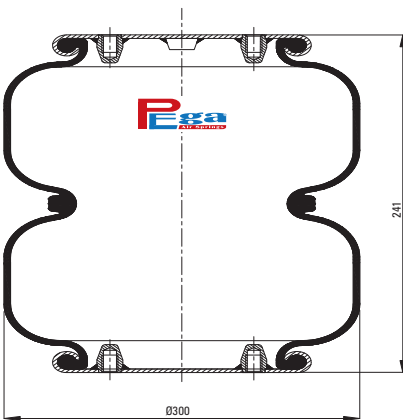
Cross References		OE Part No	

### P30.2304.P04



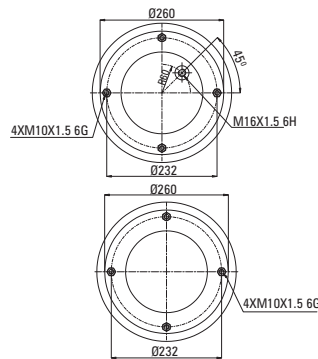
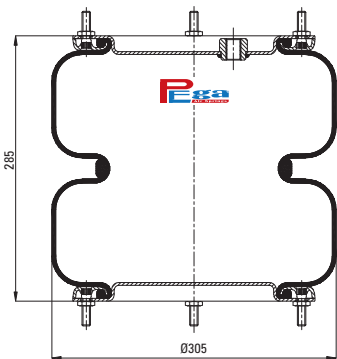
Cross References		OE Part No	
<b>FIRESTONE</b>	<b>W01-358-7550 /7555</b>		
<b>GOOD YEAR</b>	<b>2B12-440</b>		

### P30.2304.P05



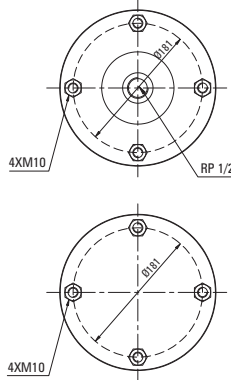
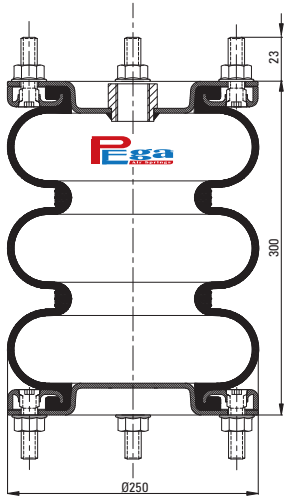
Cross References		OE Part No	
<b>FIRESTONE</b>	<b>W01-M58-6875</b>	<b>MERITOR</b>	<b>21226068</b>

### P30.2305.F01



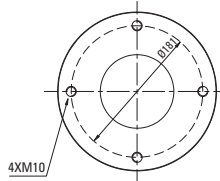
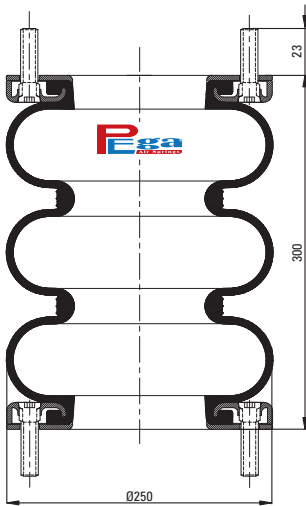
Cross References		OE Part No	
<b>FIRESTONE</b>	<b>W01-R58-4038</b>	<b>GT BENALU</b>	<b>M078246</b>
<b>DUNLOP</b>	<b>SP 2782 NB</b>	<b>LOHR</b>	<b>A06030622</b>

**P30.3251.F01**



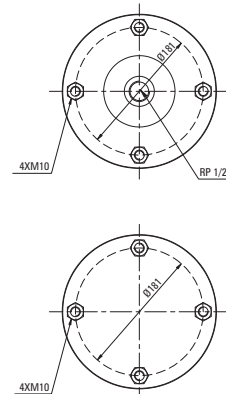
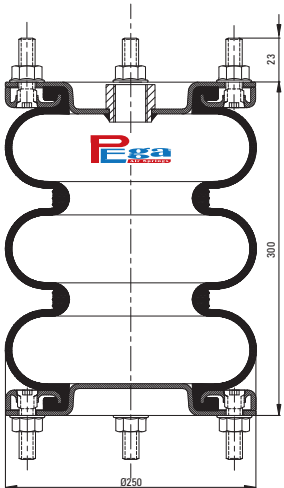
Cross References		OE Part No	
<b>CONTITECH</b>	<b>FT 210-32 1/2 M10</b>	<b>GRANNING</b>	<b>15809</b>
<b>DUNLOP</b>	<b>SP 1539 (10X3)</b>	<b>WEWELER</b>	<b>USN 5100 16D</b>

**P30.3251.F02**



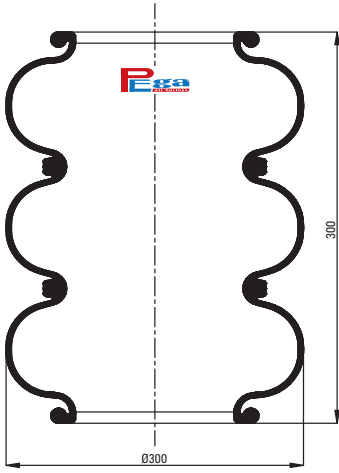
Cross References		OE Part No	
<b>CONTITECH</b>	<b>FT 210-32</b>	<b>GRANNING</b>	<b>15830</b>
<b>DUNLOP</b>	<b>SP 1015 (10X3)</b>		

**P30.3251.F03 HYD**



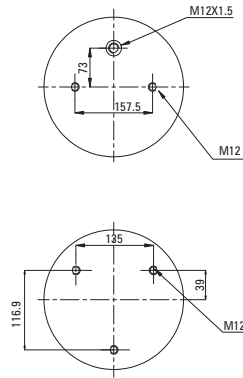
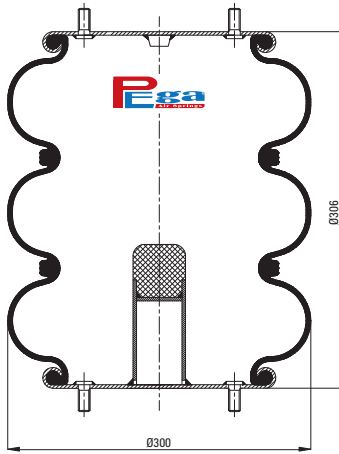
Cross References		OE Part No	

**P30.3251.M01**



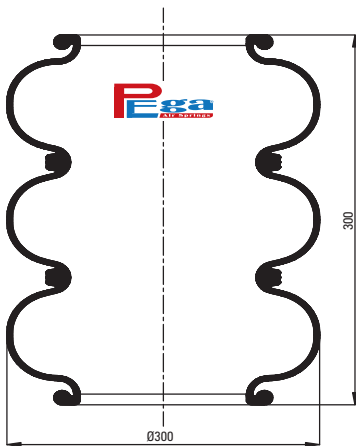
Cross References	OE Part No

**P30.3291.P01 HYD**



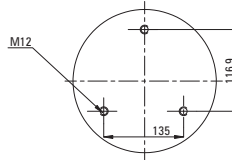
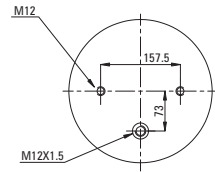
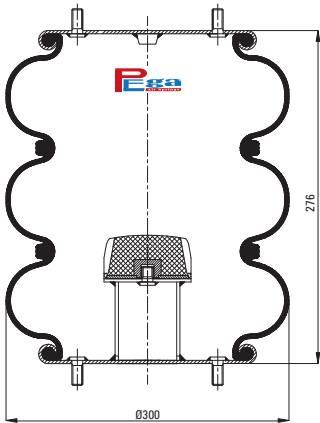
Cross References	OE Part No

**P30.3301.M01 HYD**



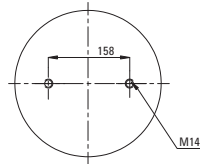
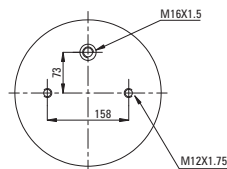
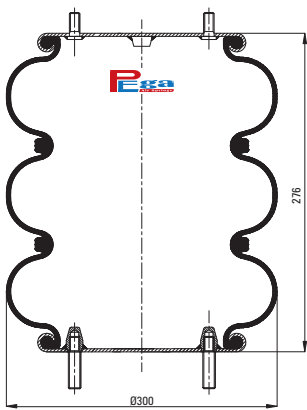
Cross References	OE Part No	
CONTITECH	FT 330-29 S	
FIRESTONE	38	

**P30.3301.P01 HYD**



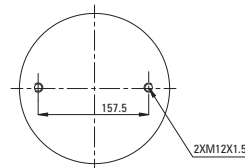
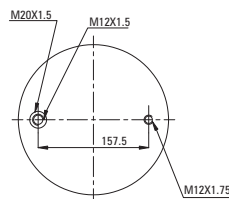
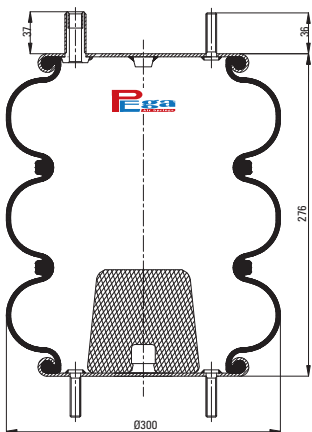
Cross References		OE Part No	
<b>CONTITECH</b>	<b>FT 330-29 P01</b>	<b>GART</b>	<b>T271/S (271.3.296)</b>
		<b>GRANNING</b>	<b>17017</b>
		<b>SAF</b>	<b>3.228.1002.01</b>

**P30.3301.P02 HYD**



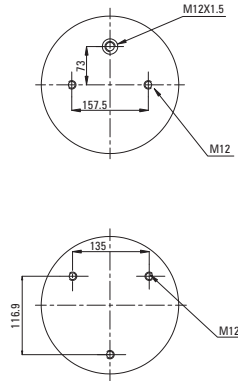
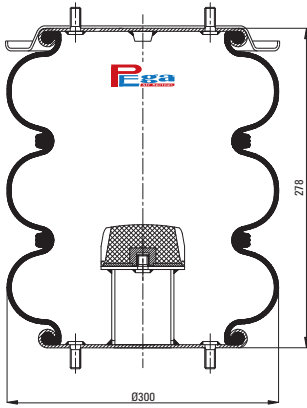
Cross References		OE Part No	
<b>DUNLOP</b>	<b>SP 12350</b>	<b>GRANNING</b>	<b>17040</b>
<b>PIRELLI</b>	<b>322 BB-93410</b>		

**P30.3301.P03 HYD**



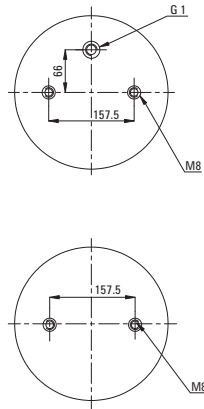
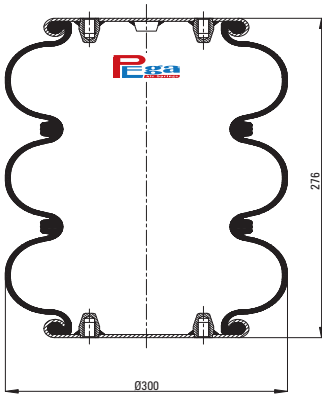
Cross References		OE Part No	
<b>DUNLOP</b>	<b>512302</b>	<b>GRANNING</b>	<b>15673</b>
<b>FIRESTONE</b>	<b>W01-M58-8017</b>		

**P30.3301.P04 HYD**



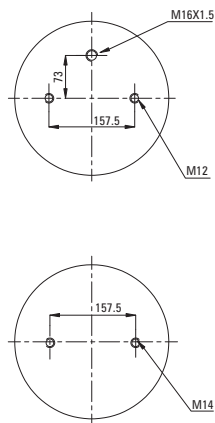
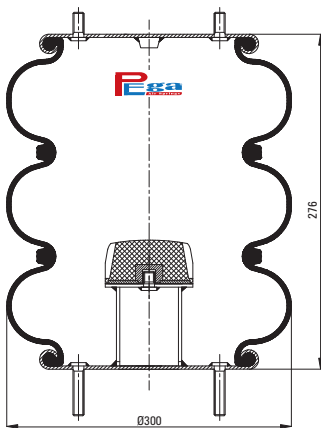
Cross References	OE Part No

**P30.3301.P05 HYD**



Cross References	OE Part No
<b>CONTITECH</b> FT 330-29	

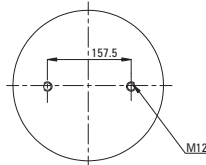
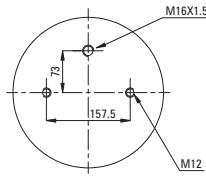
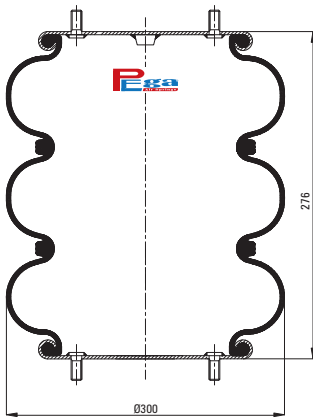
**P30.3301.P06 HYD**



Cross References	OE Part No
<b>PIRELLI</b> 322 BB 204413	<b>GART</b> T271/S (271.3.298)

**P30.3301.P07**

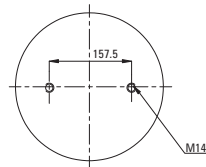
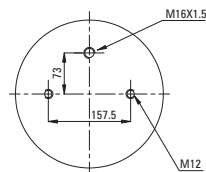
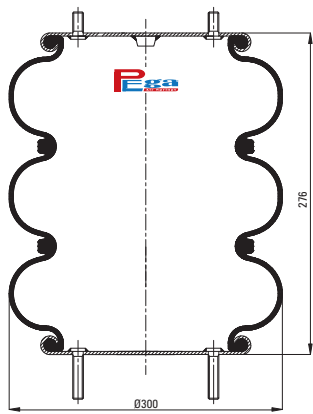
**HYD**



Cross References		OE Part No	
PIRELLI	322 BB 204450	GART	271.3.298/2

**P30.3301.P08**

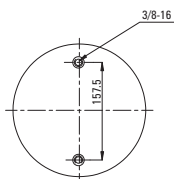
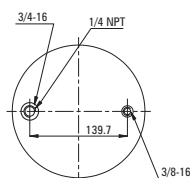
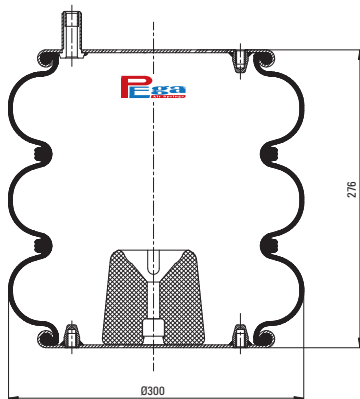
**HYD**



Cross References		OE Part No	
PIRELLI	93410 322 BB		

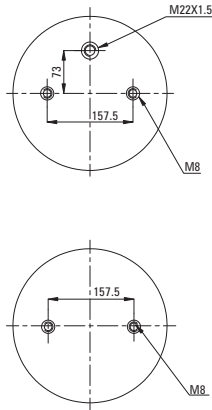
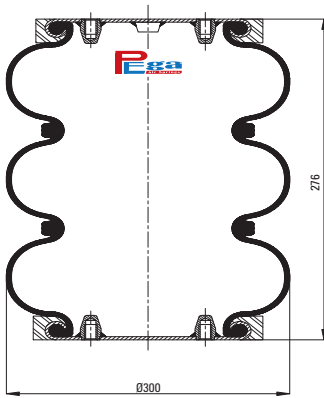
**P30.3302.P01**

**HYD**



Cross References		OE Part No	
FIRESTONE	W01-358-8032		

### P30.3302.P02

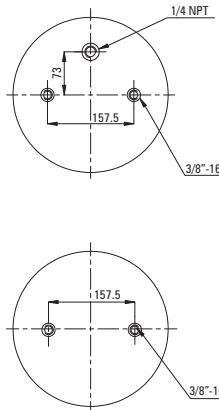
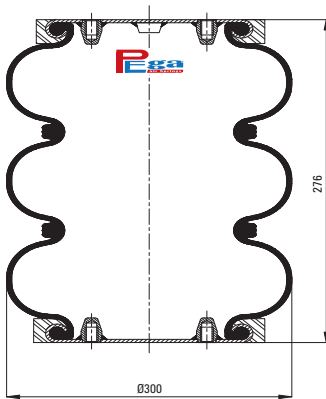


#### Cross References

#### OE Part No

Cross References	OE Part No

### P30.3302.P03

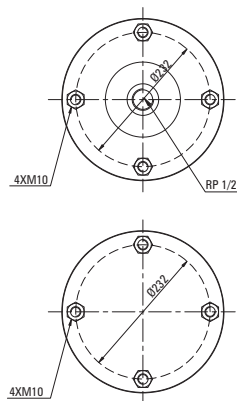
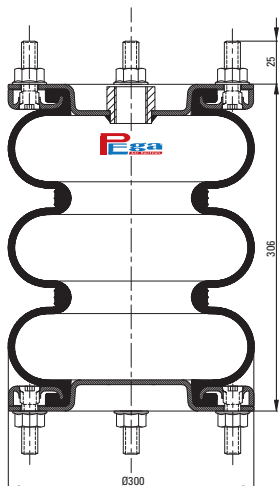


#### Cross References

#### OE Part No

Cross References	OE Part No
<b>FIRESTONE</b> <b>GOOD YEAR</b>	<b>W01-358-8006</b> <b>3B12-304</b>

### P30.3303.F01

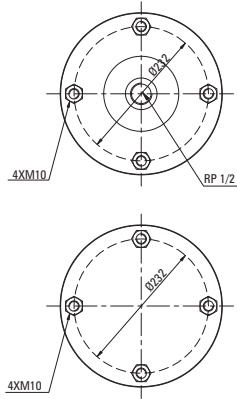
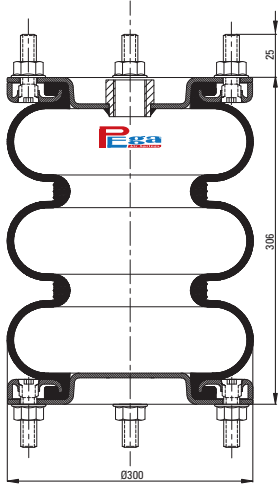


#### Cross References

#### OE Part No

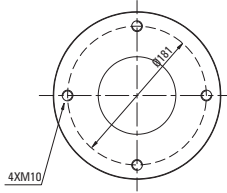
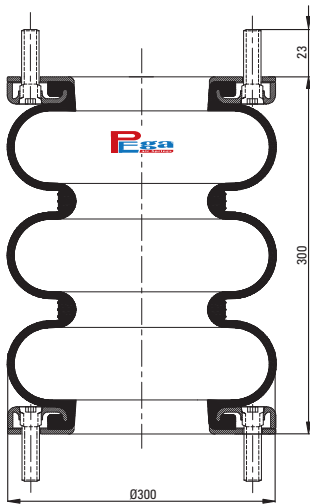
Cross References	OE Part No
<b>CONTITECH</b> <b>DUNLOP</b>	<b>FT 412-32 1/2 M10</b> <b>SP 1542</b>
<b>GIGANT</b> <b>GRANNING</b>	<b>881204</b> <b>15816</b>

### P30.3303.F02



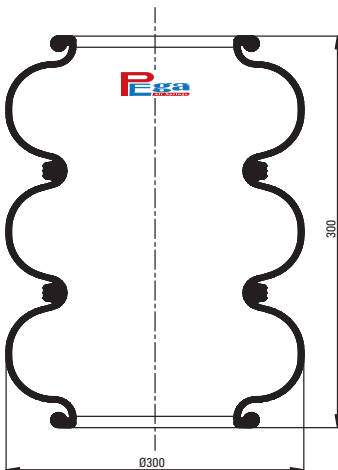
Cross References		OE Part No	
<b>CONTITECH</b>	<b>FT 412-32 S</b>	<b>FRUEHAUF</b>	<b>M 002 297</b>
<b>DUNLOP</b>	<b>SP 2666</b>	<b>GRANNING</b>	<b>15897</b>

### P30.3303.F03



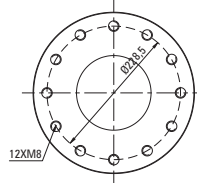
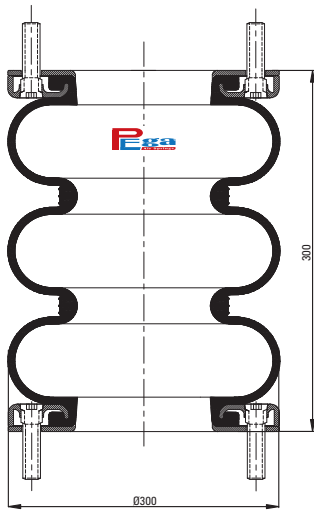
Cross References		OE Part No	
<b>CONTITECH</b>	<b>FT 412-32 S</b>		
<b>DUNLOP</b>	<b>SP 1033 (12X3)</b>		

### P30.3303.M01



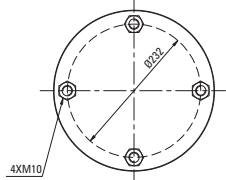
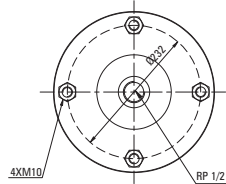
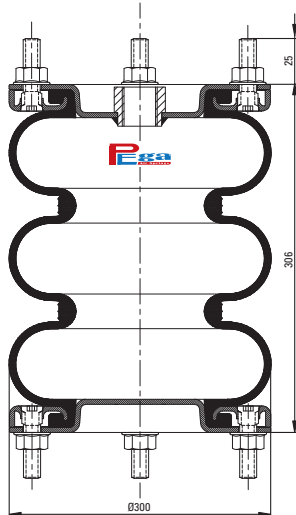
Cross References		OE Part No	
<b>CONTITECH</b>	<b>FT 412-325</b>	<b>GRANNING</b>	<b>15818</b>
<b>DUNLOP</b>	<b>SP 159 (12X3)</b>		

**P30.3304.F01 HYD**



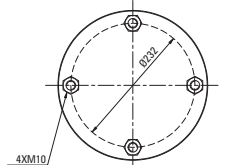
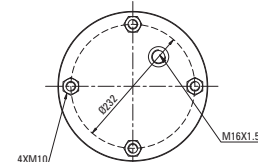
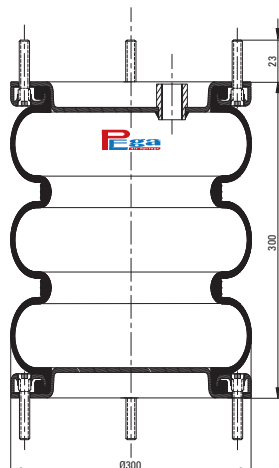
Cross References		OE Part No
<b>CONTITECH</b>	<b>FT 412-32 S</b>	
<b>DUNLOP</b>	<b>SP 2597 RE (12X3)</b>	

**P30.3304.F02 HYD**



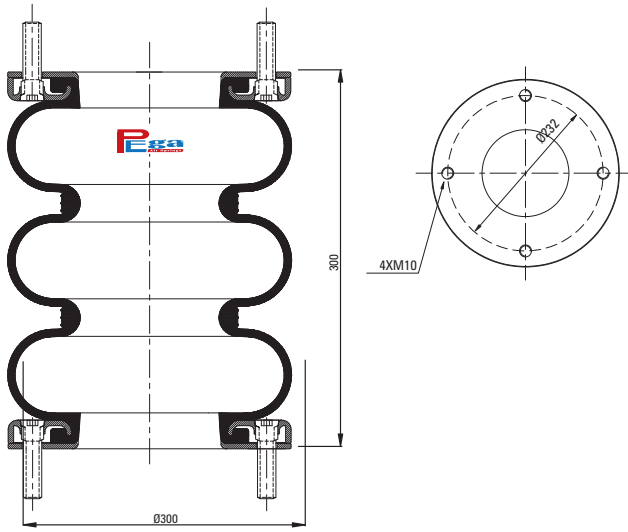
Cross References		OE Part No
<b>CONTITECH</b>	<b>FT 412-32 S</b>	
<b>DUNLOP</b>	<b>SP 1542 NB (12X3)</b>	

**P30.3304.F03 HYD**



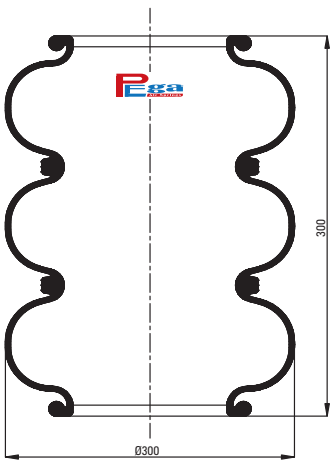
Cross References		OE Part No
<b>CONTITECH</b>	<b>FT 412-32 S</b>	
<b>DUNLOP</b>	<b>SP 2666 NB (12X3)</b>	

**P30.3304.F04 HYD**



Cross References		OE Part No	
<b>CONTITECH</b>	<b>FT 412-32 S</b>		
<b>DUNLOP</b>	<b>SP 2271 RE (12X3)</b>		


**P30.3304.M01 HYD**




Cross References		OE Part No	
<b>CONTITECH</b>	<b>FT 412-32</b>	<b>GRANNING</b>	<b>15830</b>
<b>DUNLOP</b>	<b>12X3 RE</b>		





***CONVOLUTED AIR SPRING SYSTEMS CROSS REFERENCES***

<b>CONTITECH</b>	
FS 70-7 60512	P30.1151.M01
FS 70-7 2681 015 000	P30.1151.P01
FS 120-9 60479	P30.1191.M01
FS 120-9 2681 030 000	P30.1191.P01
FS 120-9 61358	P30.1191.P02
FS 200-10 60319	P30.1212.M01
FS 200-10 3/4 M8	P30.1212.P01
FS 200-10 1/4 M8	P30.1212.P02
FS 330-11 1/1 M8	P30.1301.P01
FS 330-11 1/4 M8	P30.1301.P02
603 N	P30.2181.M01
603 N	P30.2181.P01
FD 120-17	P30.2181.P02
FD 138-18 1/2 M10	P30.2201.F01
FD 138-18 S	P30.2201.M01
FD 200-19 S (895N)	P30.2211.M01
FD 200-19 1/4 M10	P30.2211.P01
FD 200-19 1/4 M8	P30.2211.P03
FD 200-19 3/4 M8	P30.2211.P04
FD 200-19 3/4 M10	P30.2211.P05
FD 200-19 P04	P30.2211.P11
FD 200-19 P03	P30.2211.P12
FD 200-19 P02	P30.2211.P14
FD 200-25	P30.2221.P01
FD 200-25	P30.2221.P02
FD 210-22 1/2 M10	P30.2251.F11
620 N	P30.2251.M01
FD210-22S	P30.2251.M11
620 N HYDRO	P30.2252.F01
620 N HYDRO	P30.2252.M01
608 N	P30.2285.M01
FD 412-18 1/2 M10	P30.2302.F01
FD 412-18	P30.2302.F02
FD 412-18	P30.2302.F03
FD 412-18 S	P30.2302.M01
FD 330-22 1/1 M8	P30.2303.P01
FD 330-23 1/4 M8	P30.2303.P03
FD 330-22 3/4 M8	P30.2303.P04
FD 330-22 3/4 M12	P30.2303.P05
FD 330-22 1/4 M10	P30.2303.P06
FT 210-32 1/2 M10	P30.3251.F01
FT 210-32	P30.3251.F02
FT 330-29 S	P30.3301.M01
FT 330-29 P01	P30.3301.P01
FT 330-29	P30.3301.P05
FT 412-32 1/2 M10	P30.3303.F01
FT 412-32 S	P30.3303.F02
FT 412-32 S	P30.3303.F03
FT 412-325	P30.3303.M01
FT 412-32 S	P30.3304.F01
FT 412-32 S	P30.3304.F02
FT 412-32 S	P30.3304.F03
FT 412-32 S	P30.3304.F04
FT 412-32	P30.3304.M01

<b>DUNLOP</b>	
8" X1 S08 101	P30.1191.P01
8" X1 S08 100	P30.1191.P02
9" 1/4X1 S09101	P30.1212.P01
S09100	P30.1212.P02
6"X2	P30.2151.F01
DB 06219	P30.2151.F02
6"X2	P30.2151.F03
6"X2 SP1482	P30.2151.F04
6"X2 SP917	P30.2151.M01
PNP 305510111	P30.2181.P01
SO 8201	P30.2181.P02
SP 1490 (8"X2)	P30.2201.F01
8"X2	P30.2201.M01
SP 254	P30.2211.F01
S09201	P30.2211.M01
9" SO 9201	P30.2211.P01
S09201	P30.2211.P03
S09202	P30.2211.P04
S09202	P30.2211.P05
9" S09208	P30.2211.P11
9" S09203	P30.2211.P12
S09201	P30.2211.P21
SO 9280	P30.2221.P01
S09280/ 9"1/4X2	P30.2221.P03
SP1538 (10X2)	P30.2251.F11
SP1003 (10X2)	P30.2251.F12
SP920 (10X2)	P30.2251.M11
SP 1541 NB	P30.2302.F01
SP 2665 (12X2)	P30.2302.F02
SP 1025 NB	P30.2302.F03
SP 256 NB (12X2)	P30.2302.M01
S12201	P30.2303.P01
S12202	P30.2303.P03
S12200	P30.2303.P04
S12201 (12X2)	P30.2303.P06
S 12280	P30.2304.P01
SP 2782 NB	P30.2305.F01
SP 1539 (10X3)	P30.3251.F01
SP 1015 (10X3)	P30.3251.F02
SP 12350	P30.3301.P02
512302	P30.3301.P03
SP 1542	P30.3303.F01
SP 2666	P30.3303.F02
SP 1033 (12X3)	P30.3303.F03
SP 159 (12X3)	P30.3303.M01
SP 2597 RE (12X3)	P30.3304.F01
SP 1542 NB (12X3)	P30.3304.F02
SP 2666 NB (12X3)	P30.3304.F03
SP 2271 RE (12X3)	P30.3304.F04
12X3 RE	P30.3304.M0



<b>FIRESTONE</b>	
W01.358-0010	P30.1131.M01
W01.M58-6140 / 6948	P30.1131.P01
W01.358-0133	P30.1191.M01
W01.M58-6165	P30.1191.P01
W01.M58-6166	P30.1191.P02
W01.M58-6374	P30.1212.P01
W01.358-0142	P30.2181.M01
W01.M58-6378	P30.2181.P02
W01.M58-6353	P30.2181.P03
20	P30.2211.F01
W01-095-0009	P30.2211.M01
W01-M58-6887/6910	P30.2211.P01
20-2	P30.2211.P03
20	P30.2211.P04
20	P30.2211.P05
W01-358-6910	P30.2211.P06
W01-358-6902	P30.2211.P07
W01-M58-7894	P30.2211.P11
20-2	P30.2211.P12
W01-358-6897	P30.2211.P15
20 T3 095.0353	P30.2211.P16
W01-358-6905	P30.2211.P17
20 T3 095.0313	P30.2211.P18
20 C	P30.2211.P21
W01-M58-7679	P30.2221.P01
W01-S05-7182	P30.2221.P02
W01-M58-7394	P30.2221.P03
W01-M58-6891	P30.2221.P04
20 T3 095.0256	P30.2221.P05
W01-358-6948	P30.2221.P06
W01-095-0219	P30.2251.M01
W01-095-0175	P30.2251.M11
22	P30.2302.M01
W01-358-0226	P30.2303.M01
22	P30.2303.P01
W01-M58-6381	P30.2303.P03
W01-M58-6200	P30.2303.P04
22	P30.2303.P05
22	P30.2303.P06
W01-358-7400	P30.2303.P08
W01-358-7410	P30.2303.P09
W01-358-7403	P30.2303.P11
W01-358-0259	P30.2304.M01
W01-358-7443	P30.2304.P01
22-1.5 T3 095.0258	P30.2304.P02
W01-358-7550 /7555	P30.2304.P04
W01-M58-6875	P30.2304.P05
W01-R58-4038	P30.2305.F01
W01-358-8032	P30.3302.P01
W01-358-8006	P30.3302.P03
38	P30.3301.M01
W01-M58-8017	P30.3301.P03

<b>GOOD YEAR</b>	
2B 8-550	P30.2181.P01
2B 7-540	P30.2181.P02
2B9-200	P30.2211.M01
2B9-201	P30.2211.P01
2B9-200	P30.2211.P06
2B9-201	P30.2211.P07
2B9-280	P30.2211.P10
2B9-287	P30.2211.P11
2B9-229	P30.2211.P15
2B9-206	P30.2211.P17
2B9-269	P30.2221.P01
2B9-251	P30.2221.P06
2B22R	P30.2303.P03
2B12-309	P30.2303.P08
2B12-406	P30.2303.P09
2B12-307	P30.2303.P11
2B12-305	P30.2304.P01
2B12-440	P30.2304.P04
3B12-304	P30.3302.P03
<b>PHOENIX</b>	
1 B04	P30.1131.P01
SP 1B 05	P30.1151.P01
1 B 07	P30.1191.P02
SP 1 B 12	P30.1212.P01
SP 1 B 12	P30.1212.P02
2B 07R	P30.2181.M01
SP 2B 07R	P30.2181.P01
2B12R	P30.2211.F01
2B12R	P30.2211.M01
SP 2B 12R	P30.2211.P01
SP2B12R-1	P30.2211.P03
2B 12R-1	P30.2211.P04
SP2B12R-1	P30.2211.P05
2B12R-3	P30.2211.P11
2B12R-3/R-5	P30.2211.P12
SP 2B12R-12	P30.2211.P21
2B15R	P30.2251.M01
SP 2B22-RA-2	P30.2301.P01
2B22R	P30.2302.M01
2B 22R	P30.2303.M01
2B22R	P30.2303.P01
2B22R	P30.2303.P03
2B22R	P30.2303.P04
SP2B22R	P30.2303.P05
2B22R	P30.2303.P06
SP2B22R	P30.2303.P07





<b>PIRELLI</b>	
26	P30.2181.M01
26	P30.2181.P01
T26 84181	P30.2181.P02
T20	P30.2211.F01
T20 86600	P30.2211.M01
T20	P30.2211.P01
T20	P30.2211.P03
T20	P30.2211.P04
T20	P30.2211.P05
T20 86660	P30.2211.P11
T20	P30.2211.P12
T20	P30.2211.P21
T245 93740	P30.2251.F01
T245 BV 93625	P30.2251.M01
T245 BV 92141	P30.2252.F01
T245 BV	P30.2252.M01
T22	P30.2302.M01
T22 88544	P30.2303.M01
T22	P30.2303.P01
T22	P30.2303.P03
T22	P30.2303.P04
T22	P30.2303.P05
T22	P30.2303.P06
322 BB-93410	P30.3301.P02
322 BB 204413	P30.3301.P06
322 BB 204450	P30.3301.P07
93410 322 BB	P30.3301.P08
<b>TAURUS</b>	
KF 218	P30.2181.P02
KF218-6910	P30.2211.P06
KF218-6902	P30.2211.P07
KF 216	P30.2211.P11
KF218-6905	P30.2211.P17
KF222-7400	P30.2303.P08
KF222-7410	P30.2303.P09
KF222-7403	P30.2303.P11



***CONVOLUTED AIR SPRING SYSTEMS OE REFERENCES***

<b>BPW</b>	
02 200 20 80 0	P30.2251.M01
05 429 00 40 0	P30.2252.F01
02.200.20.50.0	P30.2285.M01
02 200 21 90 0	P30.2303.P01
<b>FRUEHAUF</b>	
F48054M80A04	P30.2201.F01
U.JB 09 85/A	P30.2302.F02
M 002 297	P30.3303.F02
<b>GART</b>	
T291/B	P30.1211.M01
T291/B (291.1.170)	P30.1211.P01
T291/2 (291.2.200)	P30.2211.P01
T291/2B (291.2.260)	P30.2221.P01
T271/S (271.3.296)	P30.3301.P01
T271/S (271.3.298)	P30.3301.P06
271.3.298/2	P30.3301.P07
<b>GIGANT</b>	
19 62 08	P30.2181.P01
19 60 28	P30.2181.P02
19 60 28	P30.2181.P03
19 01 30	P30.2211.P03
881 202	P30.2302.F01
881 204	P30.3303.F01
<b>GRANNING</b>	
15801	P30.2181.M01
16036	P30.2181.P02
15803 / A06030604	P30.2201.F01
15947	P30.2211.M01
15603	P30.2211.P03
1371	P30.2211.P03
A06030604	P30.2211.P04
4848	P30.2211.P07
A06030604	P30.2211.P11
15670	P30.2221.P01
15710	P30.2221.P02
15807	P30.2251.F11
15853	P30.2251.F12
16051	P30.2251.M01
15808	P30.2251.M11
15710	P30.2252.M01
15923	P30.2285.M01
15813	P30.2302.F01
15814	P30.2302.F02
15863	P30.2302.F03
15603	P30.2302.M01
15646	P30.2303.P03
15646	P30.2303.P06
2726	P30.2303.P08
2725	P30.2303.P11
1218	P30.2304.M01
1218	P30.2304.P01
15809	P30.3251.F01

<b>GRANNING</b>	
15830	P30.3251.F02
17017	P30.3301.P01
17040	P30.3301.P02
15673	P30.3301.P03
15816	P30.3303.F01
15897	P30.3303.F02
15818	P30.3303.M01
15830	P30.3304.M01
<b>HENDRICSON</b>	
NA 1821	P30.2181.P02
45843-3 /B-8768	P30.2211.P06
S2630 / B2630	P30.2211.P07
S3518 / S5270	P30.2211.P17
HS507907/P	P30.2211.P21
HS 507906/P	P30.2301.P01
NA 1816	P30.2303.P01
NA 1816	P30.2303.P03
NA 1816	P30.2303.P06
S1013 /C1013	P30.2303.P08
S10170	P30.2303.P09
NA 1860	P30.2303.P11
<b>GT BENALU</b>	
M078246	P30.2305.F01
<b>KASSBOHRER</b>	
4 731 003 000	P30.2285.M01
4 731 024 000	P30.2285.M01
<b>LOHR</b>	
A06030622	P30.2305.F01
<b>MAN</b>	
88.96420.0217	P30.2285.M01
<b>MERCEDES</b>	
A 942 327 06 01	P30.2211.P14
<b>PHOENIX</b>	
2B20 R	P30.2285.M01
<b>ROR</b>	
2122 1395 / 2122 2663	P30.2211.P01
2122 1395	P30.2211.P04
21226068	P30.2304.P05
<b>RIDEWELL</b>	
1003586910C	P30.2211.P06

<b>SAF</b>	
4.229.1004.00	P30.2211.P11
45.98.00.5419.2	P30.2211.P12
1319761	P30.2221.P02
1319761	P30.2221.P04
1319761	P30.2252.M01
2.229.1001.00	P30.2303.P01
3.229.1001.00	P30.2303.P06
3.228.1002.01	P30.3301.P01
<b>SCANIA</b>	
1387283	P30.2211.P08
131 9761-138 7289	P30.2211.P11
1387283	P30.2221.P02
1387283	P30.2221.P04
1387283	P30.2252.M01
1304528	P30.2303.P08
1510249	P30.2303.P10
<b>WATSON&amp;CHALIN</b>	
AS-0001	P30.2211.P06
<b>WEWELER</b>	
US 06910 F	P30.2211.P01
US 07394F	P30.2221.P01
US 07394F	P30.2221.P03
US 06910 F	P30.2252.M01
USN 5100 11 KD	P30.2302.F01
USN 5100 16D	P30.3251.F01