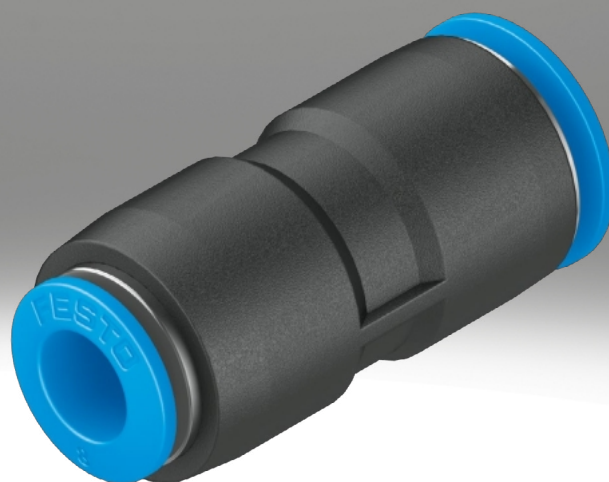


## Push-in fitting QS

**FESTO**



## Characteristics

### At a glance

Standard series

- Wide range of variants: large selection for maximum flexibility in standard applications
- PBT and nickel-plated brass
- Operating medium: compressed air, vacuum, water

Note: All R threads are coated with a sealing material. This coating replaces the conventional sealing ring. Simply screw in the R thread by hand and tighten it by turning it once or twice with an open-ended spanner. The fitting can be screwed in up to five times. When screwing in the R threads several times, make sure that the abrasion of the sealing material coating cannot get into the compressed air system.

### Diagrams

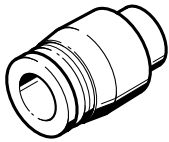
[Link](#)  [qs](#)



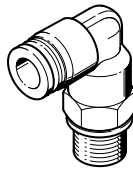
The diagrams shown in this document are also available online. These can be used to display precise values.

### Design

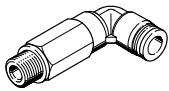
[C] Blanking plug



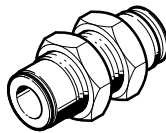
[L] L-shape



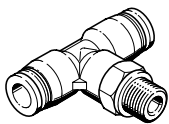
[LL] L-shape, long version



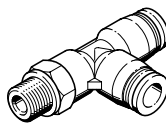
[S] Push-in bulkhead connector



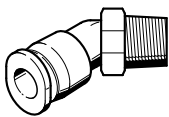
[T] T-shape



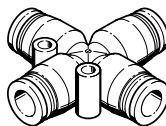
[TL] T-shape, additional push-in connector, lengthwise



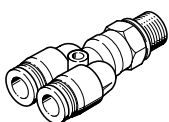
[W] 45° elbow



[X] X-shape

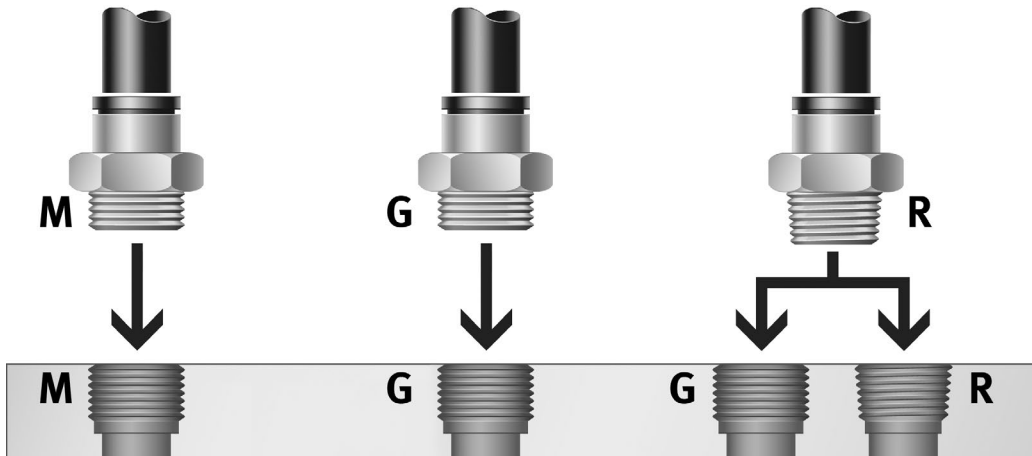


[Y] Y-shape



## Characteristics

### Pneumatic connection 1



Push-in fittings for different tube outside diameters can be combined with push-in fittings, push-in sleeves, metric male threads, male R and G threads.

Which fitting fits into which thread?

- Metric thread: Threads are comparable to G threads and are mounted in metric cylindrical threads. Tightness is ensured by a chamfered O-ring.
- G thread to ISO 228-1: shorter thread, constant installation depth, replaceable sealing ring, seal on the front, reusable several times thanks to replaceable sealing ring.
- R thread to EN 10226-1 and ISO 7/1: self-locking thread, seal on the thread, no additional sealing surface required, smaller installation dimensions as no shoulder for sealing surface, can be reused up to 5 times. When combining a male R thread with a female G thread, leakage can occur if the female G thread is not manufactured properly or has an unfavourable limit tolerance. In this case, an additional seal is required, e.g. with sealing band. When combining a male R thread with a female G thread, leakage can occur if the female G thread is not manufactured properly or has an unfavourable limit tolerance. In this case, an additional seal is required, e.g. with sealing band.

### Releasing ring

Tube mounting:

The prerequisite for ensuring that the inner seal is securely held and protected against damage is that the tube is cut into straight lengths and deburred.

- Insert the tubing as far as the stop. It is important to ensure that the tubing is inserted into the inner seal. Depending on the tolerance between the tubing and the seal, the contact of the tubing with the seal may be incorrectly interpreted as the stop.
- Check that the tubing connection is secure by pulling gently on the tube.

Tubing disassembly:

- The tubing can be detached easily by pressing and holding down the releasing ring. Then carefully pull the tubing out of the fitting.
- Before re-using the tubing, remove the damaged part by cutting it off.

Type code

001	Series
QS	Push-in fitting, standard series
QSC	Push-in fitting, standard series
QSF	Push-in fitting, standard series
QSH	Push-in fitting, standard series
QSL	Push-in fitting, standard series
QSLF	Push-in fitting, standard series
QSLL	Push-in fitting, standard series
QSLV	Push-in fitting, L-shape, QSLV, rotatable
QSYLV	Push-in fitting, L-shape, 2-way, rotatable, QSYLV
QSS	Push-in bulkhead connector QSS
QSTL	Push-in fitting T/L-shape, rotatable, QSTL
QSX	Push-in fitting, standard series
QSY	Push-in fitting, standard series
QSTF	Push-in fitting, T-shape, QSTF, rotatable
QSW	Push-in fitting, standard series
QST	Push-in fitting, T-shape QST
QSYL	Push-in fitting, L-shape, 2-way QSYL
QSSF	Push-in bulkhead connector with female thread QSSF

002	Design
	Straight shape
C	Blanking plug
L	L-shape
LL	L-shape, long version
S	Push-in bulkhead connector
T	T-shape
TL	T-shape, additional push-in connector, lengthwise
W	45° elbow
X	X-shape
Y	Y-shape

003	Pneumatic connection 1
1/8	Male thread R1/8
1/4	Male thread R1/4
3/8	Male thread R3/8
1/2	Male thread R1/2
4	Push-in connector 4 mm
4H	Push-in sleeve 4 mm
6	Push-in connector 6 mm
6H	Push-in sleeve 6 mm
8	Push-in connector 8 mm
8H	Push-in sleeve 8 mm
10	Push-in connector 10 mm
10H	Push-in sleeve 10 mm
12	Push-in connector 12 mm
12H	Push-in sleeve 12 mm
16	Push-in connector mm
16H	Push-in sleeve 16 mm
G1/8	Male thread G1/8
G1/4	Male thread G1/4
G3/8	Male thread G3/8
G1/2	Male thread G1/2
G3/4	Male thread G 3/4
M5	Male thread M5

004	Pneumatic connection 2
	Same size push-in connector as pneumatic connection 1
4	Push-in connector 4 mm
6	Push-in connector 6 mm
8	Push-in connector 8 mm
10	Push-in connector 10 mm
12	Push-in connector 12 mm
16	Push-in connector 16 mm
22	Push-in connector 22 mm

005	Mounting method
	Standard
I	Internal hexagon
V	Hollow bolt with external hex

006	Additional characteristic
	None
F	With fixed collar
Y	Outlet, 2-way, parallel

007	Packaging unit [units]
1	1
10	10
20	20
50	50
100	100

## Datasheet

**General technical data – Metric and G male thread**

Pneumatic connection, port 1	Male thread M5	Male thread G1/8	Male thread G1/4	Male thread G3/8	Male thread G1/2	Male thread G3/4
Design	Push-pull principle					
Mounting position	optional					
Type of seal on screwed plug	Sealing ring					
Nominal torque	1.2 Nm	5.4 Nm	9 Nm	15.5 Nm	26 Nm	20 Nm
Tolerance for nominal tightening torque	± 20%					
Nominal size	1.8 ... 2.4 mm	2.6 ... 6 mm	3.1 ... 8.5 mm	4.2 ... 11 mm	6.4 ... 13 mm	20 mm
Tubing insertion depth <sup>1)</sup>	–					27.54 mm
Product weight	8 ... 13 g	7.7 ... 31 g	13 ... 48 g	20 ... 97 g	33 ... 158 g	91.2 g

1) The indicated tubing insertion depths are reference values and may vary slightly depending on the type.

**General technical data – Male R thread**

Pneumatic connection, port 1	Male thread R1/8	Male thread R1/4	Male thread R3/8	Male thread R1/2
Design	Push-pull principle			
Mounting position	optional			
Type of seal on screwed plug	Coating			
Nominal size	2.4 ... 6 mm	2.8 ... 8.5 mm	4.2 ... 11 mm	6.3 ... 13 mm
Tubing insertion depth <sup>1)</sup>	17 mm	18.1 mm	20.2 mm	23.4 mm

1) The indicated tubing insertion depths are reference values and may vary slightly depending on the type.

**General technical data – Female G thread**

Pneumatic connection, port 1	Female thread G1/8	Female thread G1/4	Female thread G3/8	Female thread G1/2
Design	Push-pull principle			
Mounting position	optional			
Type of seal on screwed plug	Coating			
Nominal size	2.8 ... 7 mm	3 ... 11 mm	5 ... 11 mm	11 ... 15 mm

**General technical data – Push-in sleeve**

Pneumatic connection, port 1	Push-in sleeve Ø 4 mm	Push-in sleeve Ø 6 mm	Push-in sleeve Ø 8 mm	Push-in sleeve Ø 10 mm	Push-in sleeve Ø 12 mm	Push-in sleeve Ø 16 mm
Design	Push-pull principle					
Mounting position	optional					
Nominal size	2.5 mm	2.3 ... 4 mm	2.3 ... 6 mm	3.8 ... 7.5 mm	4.9 ... 9 mm	7.8 ... 11 mm

**General technical data – For tubing O.D.**

Pneumatic connection, port 1	For tubing outer diameter of 4 mm	For tubing outside diameter of 6 mm	For tubing outer diameter of 8 mm	For tubing outer diameter of 10 mm	For tubing outer diameter of 12 mm	For tubing outer diameter of 16 mm
Design	Push-pull principle					
Mounting position	optional					
Type of seal on screwed plug	–					Coating
Nominal size	2.8 mm	2.8 ... 4.3 mm	2.8 ... 7 mm	4.3 ... 9 mm	6.2 ... 11 mm	13 mm

## Datasheet

### Operating and environmental conditions

Operating pressure complete temperature range <sup>1)</sup>	-0.95 ... 6 bar
Temperature-dependent operating pressure	-0.95 ... 14 bar
Note on operating pressure	Water: max. 0.6 MPa at max. 50°C
Operating medium	Compressed air to ISO 8573-1:2010 [7::-] Water (liquid, ice-free)
Note on operating and pilot medium	Lubricated operation possible Water: G-thread only possible with sealing ring type OL as additional accessory
Ambient temperature <sup>2)</sup>	-10 ... 80°C
Corrosion resistance class CRC <sup>3)</sup>	1 - Low corrosion stress
Maritime classification <sup>4)</sup>	See certificate

1) QS-G3/4-22: -0.95 ... 14 bar

2) QS-G3/4-22: -20 ... 80°C

3) More information [www.festo.com/x/topic/crc](http://www.festo.com/x/topic/crc)

4) Except QS-G3/4-22. More information [www.festo.com/catalogue/qs](http://www.festo.com/catalogue/qs) → Support/Downloads

### Operating and environmental conditions QS-G3/4-22

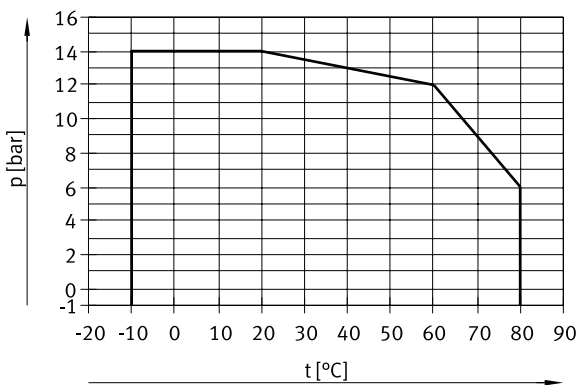
Operating pressure complete temperature range <sup>1)</sup>	-0.95 ... 14 bar
Temperature-dependent operating pressure	-0.95 ... 14 bar
Operating medium	Compressed air to ISO 8573-1:2010 [7::-], Water (liquid, ice-free)
Note on operating and pilot medium	Lubricated operation possible, Water: G-thread only possible with sealing ring type OL as additional accessory
Ambient temperature <sup>2)</sup>	-20 ... 80°C
Corrosion resistance class CRC <sup>3)</sup>	1 - Low corrosion stress

1) QS-G3/4-22: -0.95 ... 14 bar

2) QS-G3/4-22: -20 ... 80°C

3) More information: [www.festo.com/x/topic/crc](http://www.festo.com/x/topic/crc)

### Operating pressure p as a function of temperature t (except QS-G3/4-22)



## Datasheet

### Materials

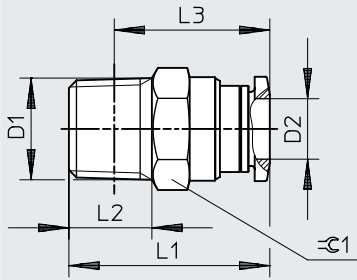
Material housing	Anodised aluminium, Brass, nickel-plated, PBT
Material release ring	POM
Colour of release ring	Blue
Material tubing seal	NBR
Material tubing clamp component	High-alloy stainless steel
Note on materials	RoHS-compliant
Material nut	Nickel-plated brass
Material hollow bolt	Nickel-plated brass
Cleanroom class <sup>1)</sup>	Class 4 according to ISO 14644-1 Element installed statically, no meaningful evaluation possible according to ISO 14644-1

1) For push-in sleeves QSH and blanking plugs QSC...H, no meaningful evaluation possible according to ISO 14644-1 (components installed statically)

## Dimensions

Dimensions – Push-in fitting QS, R thread

[Download CAD data](#)

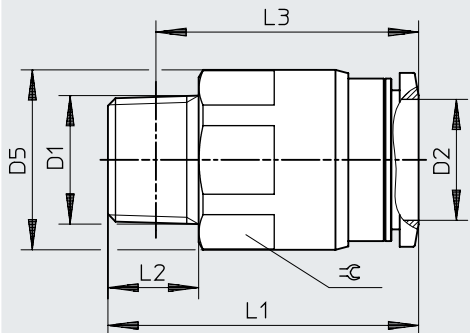


	D1	D2	L1	L2	L3	≡C
QS-1/8-4	R1/8	4	21	8	17	10
QS-1/8-4-100						
QS-1/8-6		6	22,3	8	18,3	12
QS-1/8-6-100						
QS-1/8-8		8	27,9	8	23,9	14
QS-1/8-8-50						
QS-1/8-10		10	30,3	8	26,3	17
QS-1/4-4	R1/4	4	22,5	11	16,5	14
QS-1/4-6		6	23,7	11	17,6	14
QS-1/4-6-100						
QS-1/4-8		8	26,6	11	20,6	14
QS-1/4-8-50						
QS-1/4-10		10	29,8	11	23,8	17
QS-1/4-10-50						
QS-1/4-12		12	35,9	11	29,9	21
QS-1/4-12-20						
QS-3/8-6	R3/8	6	24,5	12	18,1	17
QS-3/8-8		8	25,5	12	19,2	17
QS-3/8-8-50						
QS-3/8-10		10	29,3	12	23	17
QS-3/8-10-50						
QS-3/8-12		12	31,9	12	25,6	21
QS-3/8-12-20						
QS-1/2-10	R1/2	10	30,4	15	22,2	21
QS-1/2-10-50						
QS-1/2-12		12	33,9	15	25,7	21
QS-1/2-12-20						
QS-1/2-16		16	41,3	15	33,1	24
QS-1/2-16-20						

## Dimensions

Dimensions – Push-in fitting QS-3/8-16, R thread

[Download CAD data](#)

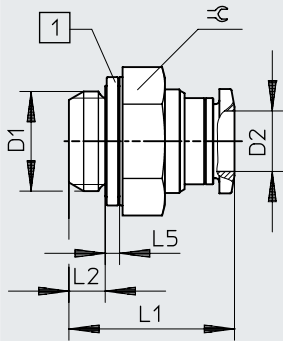


	D1	D2	D5 ∅	L1	L2	L3	☞
QS-3/8-16	R3/8	16	23,8	41,1	12	34,8	22

## Dimensions

Dimensions – Push-in fitting QS, G thread with sealing ring (G1/8, G1/4, G3/8, G1/2)

[Download CAD data](#)



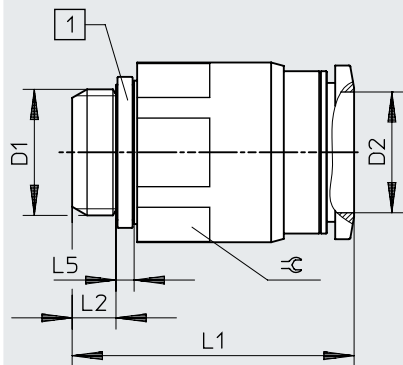
[1] Sealing ring

	D1	D2	L1	L2	L5	≡C
QS-G1/8-4	G1/8	4	19,5	4,2	1,9	13
QS-G1/8-4-100						
QS-G1/8-6		6	20,6	4,2	1,9	13
QS-G1/8-6-100						
QS-G1/8-8		8	25,8	4,2	1,9	14
QS-G1/8-8-50						
QS-G1/4-6	G1/4	6	21,2	4,8	1,9	17
QS-G1/4-6-100						
QS-G1/4-8		8	21,9	4,8	1,9	17
QS-G1/4-8-50						
QS-G1/4-10		10	28,9	4,8	1,9	17
QS-G1/4-10-50						
QS-G1/4-12	G1/4	12	34,1	4,8	1,9	21
QS-G1/4-12-20						
QS-G3/8-8	G3/8	8	21,7	5,8	2,4	19
QS-G3/8-8-50						
QS-G3/8-10		10	25,4	5,8	2,4	19
QS-G3/8-10-50						
QS-G3/8-12		12	31,5	5,8	2,4	21
QS-G3/8-12-20						
QS-G1/2-12	G1/2	12	28	6,8	2,4	24
QS-G1/2-12-20						
QS-G1/2-16		16	35,3	6,8	2,4	24
QS-G1/2-16-20						

## Dimensions

### Dimensions – Push-in fitting QS-G3/8-16, G thread with sealing ring

[Download CAD data](#)



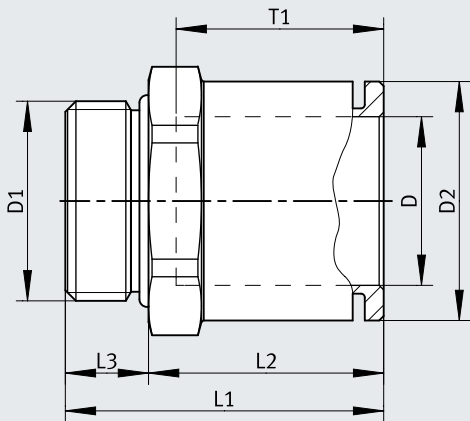
[1] Sealing ring

	D1	D2	L1	L2	L5	≡G
QS-G3/8-16	G3/8	16	37,3	5,8	2,4	22

## Dimensions

Dimensions – Push-in fitting QS, G thread with sealing ring (G3/4)

[Download CAD data](#)

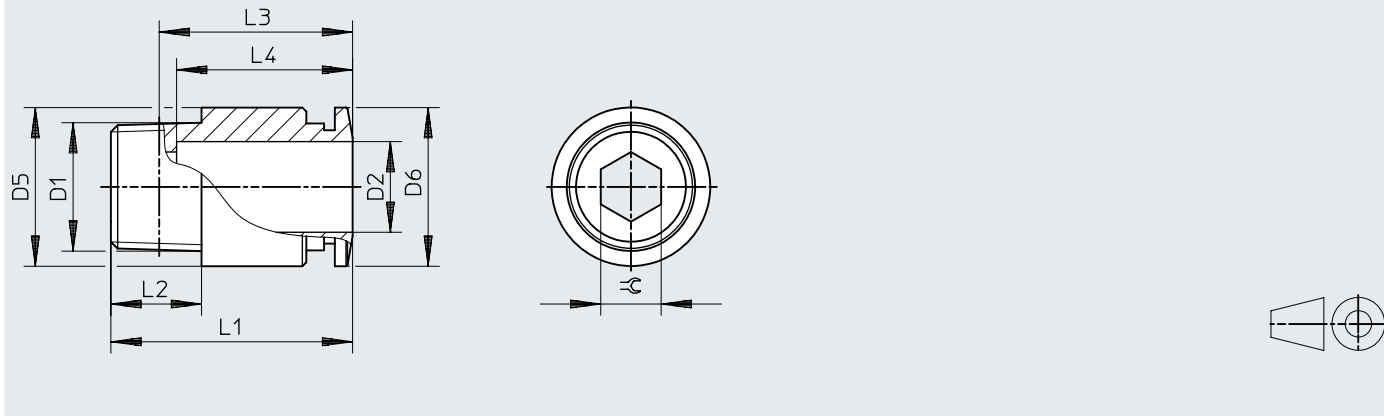


	D1	D	D2 ∅	L1	L2	L3	T1 ∅	±0.1
QS-G3/4-22	G3/4	22	32	42,1	31,1	11	~27,5	32

## Dimensions

### Dimensions – Push-in fitting QS-...-I, R thread

[Download CAD data](#)

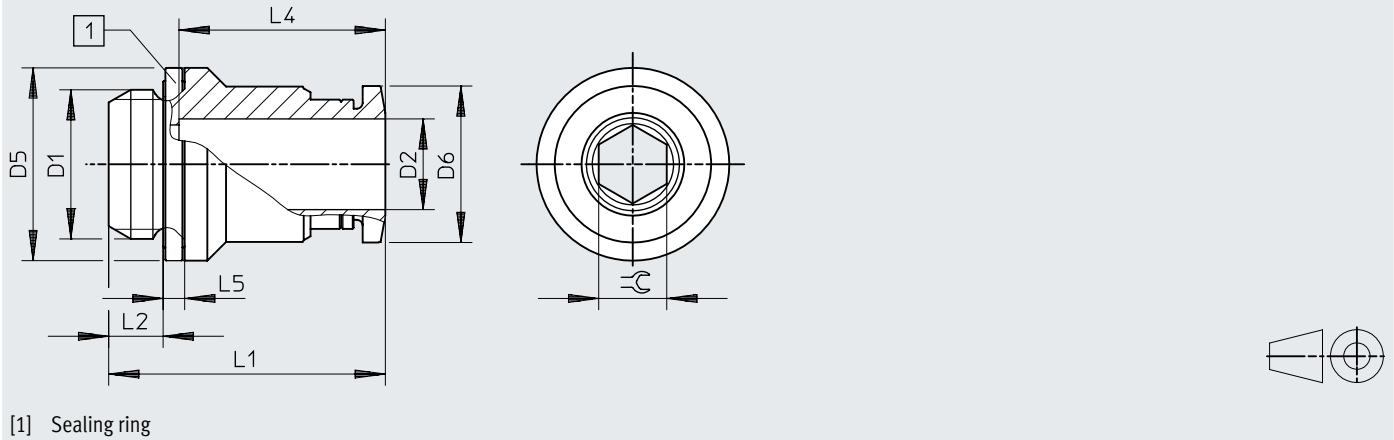


	D1	D2	D5 ∅	D6 ∅	L1	L2	L3	L4	±
QS-1/8-4-I	R1/8	4	9,7	9,9	20	8	16	14,9	2,5
QS-1/8-4-I-100									
QS-1/8-6-I		6	11,8	11,8	22,1	8	18,1	17	4
QS-1/8-6-I-100									
QS-1/8-8-I		8	13,7	13,8	25,9	8	21,9	18,2	5
QS-1/8-8-I-50									
QS-1/8-10-I		10	17,5	16,8	30,3	8	26,3	20,7	5
QS-1/4-6-I	R1/4	6	13,7	11,8	21,3	11	15,2	17	4
QS-1/4-6-I-100									
QS-1/4-8-I		8	13,7	13,8	25,1	11	19,1	18,2	6
QS-1/4-8-I-50									
QS-1/4-10-I		10	17,5	16,8	29,8	11	23,8	20,7	6
QS-1/4-10-I-50									
QS-1/4-12-I		12	20,8	19,8	35,9	11	29,9	23,3	6
QS-3/8-8-I	R3/8	8	16,8	13,8	22,2	12	15,9	18,2	6
QS-3/8-10-I		10	17,5	16,8	29,3	12	23	20,7	6
QS-3/8-12-I		12	20,8	19,8	31,9	12	25,6	23,3	8
QS-1/2-10-I	R1/2	10	20,8	16,8	30,3	15	22,1	20,7	6
QS-1/2-12-I		12	20,8	19,8	33,9	15	25,7	23,3	8

## Dimensions

### Dimensions – Push-in fitting QS-...-I, G-thread

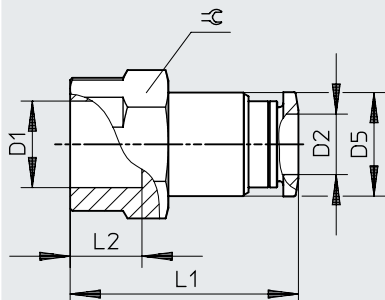
[Download CAD data](#)



	D1	D2	D5 ∅	D6 ∅	L1	L2	L4	L5	±C	
QS-G1/8-4-I	G1/8	4	13	9,9	19,5	4,2	14,9	1,9	2,5	
QS-G1/8-4-I-100										
QS-G1/8-6-I		6	13	11,8	21,6	4,2	17	1,9	4	
QS-G1/8-6-I-100										
QS-G1/8-8-I		8	13,7	13,8	25,8	4,2	18,2	1,9	5	
QS-G1/8-8-I-100										
QS-G1/8-10-I		10	17	16,8	28,3	4,2	20,7	1,9	5	
QS-G1/8-10-I-100										
QS-G1/4-6-I	G1/4	6	17	11,8	20,2	4,8	17	1,9	4	
QS-G1/4-8-I		8	17	13,8	24,4	4,8	18,2	1,9	6	
QS-G1/4-10-I		10	17	16,8	28,9	4,8	20,7	1,9	7	
QS-G3/8-8-I	G3/8	8	19	13,8	23,9	5,8	18,2	2,4	6	
QS-G3/8-10-I		10	19	16,8	26,4	5,8	20,7	2,4	7	
QS-G3/8-12-I		12	20,8	19,8	31,5	5,8	23,3	2,4	8	
QS-G1/2-12-I	G1/2	12	24	19,8	28	6,8	23,3	2,4	8	

## Dimensions

## Dimensions – Push-in fitting QSF, G thread

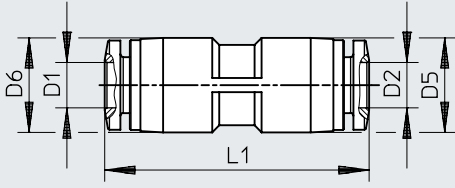
Download CAD data [↗](#)

	D1	D2	D5 ∅	L1	L2	≅
QSF-1/8-4-B	G1/8	4	9,7	23,9	7	14
QSF-1/8-4-B-100						
QSF-1/8-6-B						
QSF-1/8-6-B-100						
QSF-1/8-8-B						
QSF-1/8-8-B-50						
QSF-1/4-4-B	G1/4	4	9,7	26,9	9,5	17
QSF-1/4-6-B						
QSF-1/4-6-B-100						
QSF-1/4-8-B						
QSF-1/4-8-B-50						
QSF-1/4-10-B						
QSF-1/4-10-B-50	G3/8	6	11,8	30,5	11	21
QSF-1/4-12-B						
QSF-1/4-12-B-50						
QSF-3/8-6-B						
QSF-3/8-8-B						
QSF-3/8-8-B-50						
QSF-3/8-10-B	G1/2	8	13,7	31,7	11	21
QSF-3/8-10-B-50						
QSF-3/8-12-B						
QSF-3/8-12-B-20						
QSF-1/2-12-B						
QSF-1/2-16-B						
QSF-1/2-12-B	G1/2	12	20,8	40,1	14	24
QSF-1/2-16-B						
QSF-1/2-16-B	G1/2	16	25	41,6	14	25
QSF-1/2-16-B						

## Dimensions

### Dimensions – Push-in connector QS

[Download CAD data](#)

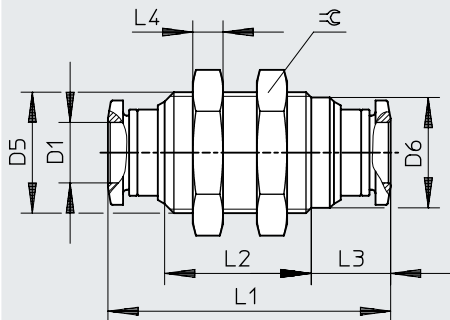


	D1	D2	D5 ø	D6	L1
QS-4	4	4	10	–	30,8
QS-4-100					
QS-6	6	6	12,5	–	34,9
QS-6-100					
QS-8	8	8	14,5	–	37,8
QS-8-50					
QS-10	10	10	17,5	–	41,4
QS-10-50					
QS-12	12	12	21	–	47,8
QS-12-20					
QS-16	16	16	25	–	50
QS-16-20					
QS-6-4	6	4	12,5	12,5	34,4
QS-6-4-100					
QS-8-4	8	4	10,7	14,5	36,6
QS-8-6		6	14,5	14,5	37,9
QS-8-6-50					
QS-10-6	10	6	13	17,5	39,8
QS-10-8		8	17,5	17,5	41,1
QS-10-8-50					
QS-12-8	12	8	14,5	21	44
QS-12-10		10	21	21	47,6
QS-12-10-20					

## Dimensions

Dimensions – Push-in bulkhead connector QSS

Download CAD data [www.festo.com](http://www.festo.com)

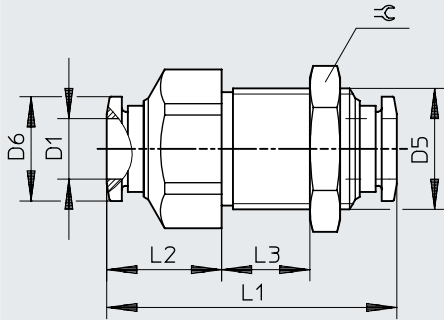


	D1	D5	D6 ∅	L1	L2	L3	L4	☉
QSS-4	4	M12x1	10,8	30,8	14,8	9,5	4	14
QSS-4-100								
QSS-6	6	M14x1	12,5	34,9	19	9,5	4	17
QSS-6-100								
QSS-8	8	M16x1	14,6	37,4	19,4	10,5	4	19
QSS-8-50								
QSS-10	10	M20x1	18,5	42,4	21,6	11,9	5	24
QSS-10-50								
QSS-12	12	M22x1	20,4	47,6	24,2	13,2	6	27
QSS-12-20								

## Dimensions

Dimensions – Push-in bulkhead connector QSS-...-F, with fixed collar

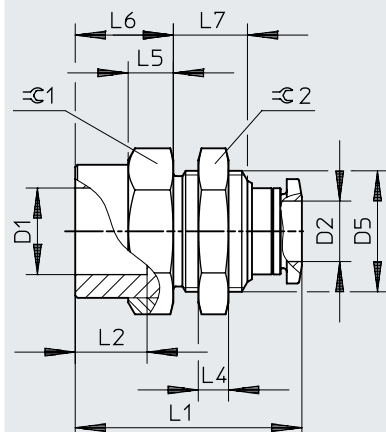
Download CAD data [www.festo.com](http://www.festo.com)



	D1	D5	D6 ø	L1	L2	L3	≙
QSS-4-F	4	M12x1	9,9	33	13	max. 10	14
QSS-6-F	6	M14x1	11,8	34,9	14,4	max. 10	17
QSS-8-F	8	M16x1	13,8	38,4	15,2	max. 13	19
QSS-10-F	10	M20x1	16,8	47,1	20,3	max. 15	24
QSS-12-F	12	M22x1	19,8	48,5	18,9	max. 17,5	27

## Dimensions

## Dimensions – Bulkhead push-in fitting QSSF

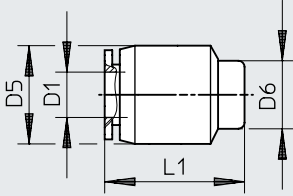
Download CAD data [www.festo.com](http://www.festo.com)

	D1	D2	D5 ø	L1	L2	L4	L5	L6	L7	$\ominus C1$	$\ominus C2$
QSSF-1/8-4-B	G1/8	4	M12x1	24,2	7	4	5	9	9	14	14
QSSF-1/8-6-B		6	M14x1	26,4	7	4	6	10	10,2	17	17
QSSF-1/8-8-B		8	M16x1	27	7	4	6	10	9,8	19	19
QSSF-1/4-4-B	G1/4	4	M12x1	27,5	9,5	4	6	12,3	9	17	14
QSSF-1/4-6-B		6	M14x1	28,7	9,5	4	6	12,3	10,2	17	17
QSSF-1/4-8-B		8	M16x1	30	9,5	4	6	13	9,8	19	19
QSSF-1/4-10-B		10	M20x1	32,7	9,5	5	7	13	11,1	24	24
QSSF-3/8-6-B	G3/8	6	M14x1	30,9	11	4	6,5	14,5	10,2	21	17
QSSF-3/8-8-B		8	M16x1	31,5	11	4	6,5	14,5	9,8	21	19
QSSF-3/8-10-B		10	M20x1	34,2	11	5	7	14,5	11,1	24	24
QSSF-3/8-12-B		12	M22x1	36,8	11	6	7	14,5	12,4	24	27
QSSF-1/2-12-B	G1/2	12	M22x1	40,1	14	6	7	17,8	12,4	24	27
QSSF-1/2-16-B		16	M27x1,5	42,6	14	9	8,5	17,3	15,4	29	32

## Dimensions

### Dimensions – Push-in cap QSC

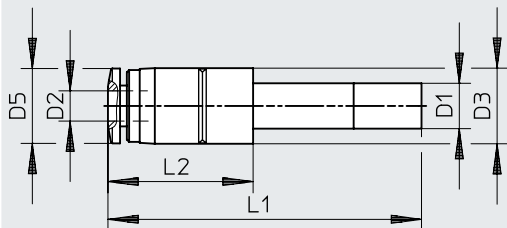
Download CAD data [www.festo.com](http://www.festo.com)



	D1	D5 Ø	D6 Ø	L1
QSC-4	4	10	7	16,5
QSC-4-100				
QSC-6	6	13	9	18,5
QSC-6-100				
QSC-8	8	15	11	20
QSC-8-50				
QSC-10	10	18	13	22,5
QSC-10-50				
QSC-12	12	21,5	16	23
QSC-12-20				

## Dimensions

## Dimensions – Push-in connector QS-...H

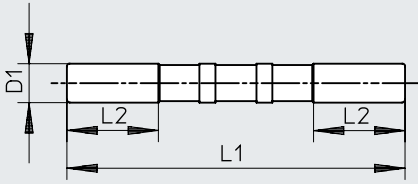
Download CAD data [www.festo.com](http://www.festo.com)

	D1	D2	D3 ∅	D5 ∅	L1	L2
QS-6H-4	QS-6	4	10	9,9	37,7	15,2
QS-6H-4-100						
QS-8H-4	QS-8	4	12,5	9,9	40,2	16,7
QS-8H-6		6	12,5	11,8	40,8	17,3
QS-8H-6-50						
QS-10H-6	QS-10	6	12,5	11,8	43,8	18,8
QS-10H-8		8	14,5	13,8	43,7	18,7
QS-10H-8-50						
QS-12H-6	QS-12	6	14,5	11,8	48,8	19,8
QS-12H-8		8	14,5	13,8	49,7	20,7
QS-12H-10		10	17,5	16,8	50	21
QS-12H-10-20						

## Dimensions

### Dimensions – Push-in sleeve QSH

[Download CAD data](#)

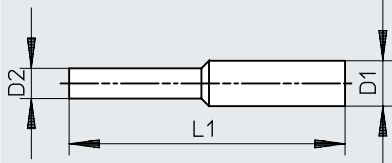


	D1	L1	L2
QSH-4	QS-4	34,8	11,3
QSH-4-100			
QSH-6	QS-6	38,2	11,3
QSH-6-100			
QSH-8	QS-8	41,4	12,1
QSH-8-50			
QSH-10	QS-10	46,2	13
QSH-10-50			
QSH-12	QS-12	52,8	17,5
QSH-12-20			
QSH-16	QS-16	55,6	18

## Dimensions

### Dimensions – Push-in sleeve QSH, reducing

[Download CAD data](#)

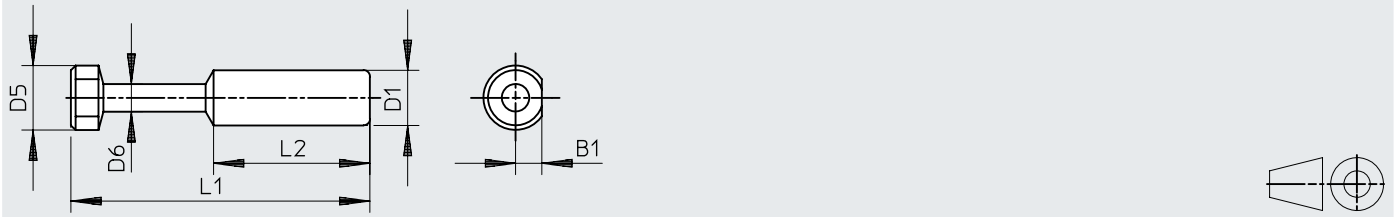


	D1	D2	L1
QSH-6-4	QS-6	QS-4	36,7
QSH-6-4-100			
QSH-8-4	QS-8	QS-4	41,1
QSH-8-6		QS-6	40,5
QSH-8-6-50			
QSH-10-6	QS-10	QS-6	43,7
QSH-10-8		QS-8	44
QSH-10-8-50			
QSH-12-8	QS-12	QS-8	47,5
QSH-12-10		QS-10	49,6
QSH-12-10-20			
QSH-16-12	QS-16	QS-12	54,4
QSH-16-12-20			

## Dimensions

### Dimensions – Blanking plug QSC...4H

[Download CAD data](#)

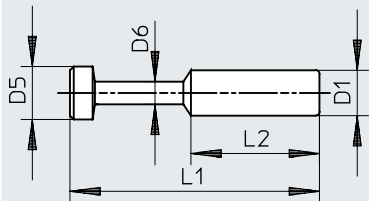


	D1	B1	D5 ∅	D6 ∅	L1	L2
QSC-4H	QS-4	2,1	5	3	28	15
QSC-4H-100						

## Dimensions

### Dimensions – Blanking plug QSC...6H/8H/10H/12H/16H

[Download CAD data](#)

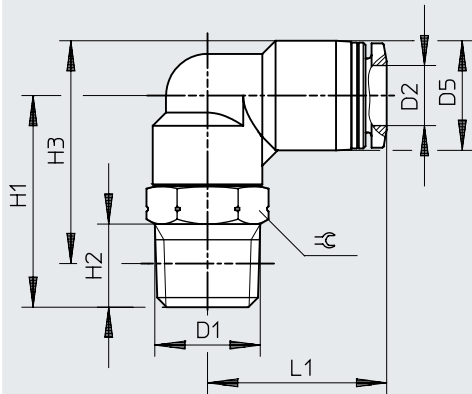


	D1	D5 ø	D6 ø	L1	L2
QSC-6H	QS-6	7	3	33	17
QSC-6H-100					
QSC-8H	QS-8	9	4	37	18
QSC-8H-50					
QSC-10H	QS-10	11	5	42	20,5
QSC-10H-50					
QSC-12H	QS-12	13	6	44	23
QSC-12H-20					
QSC-16H	QS-16	17	8	46	24

## Dimensions

### Dimensions – Push-in L-fitting QSL, R thread

[Download CAD data](#)

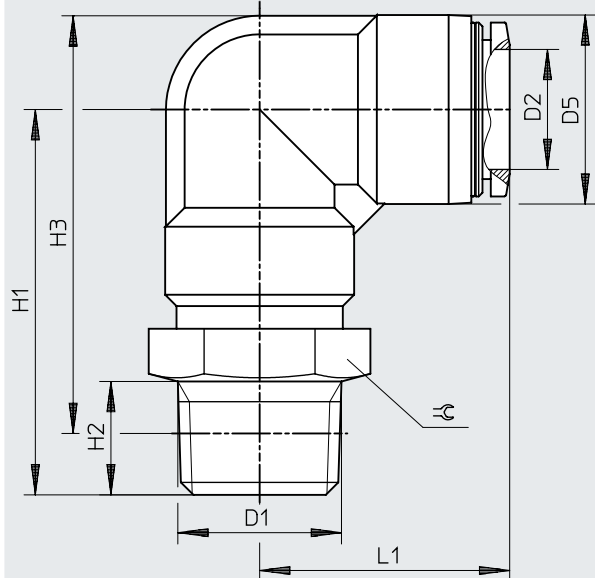


	D1	D2	D5 ø	H1	H2	H3	L1	±
QSL-1/8-4	R1/8	4	10	22	8	23	18,7	10
QSL-1/8-4-100								
QSL-1/8-6								
QSL-1/8-6-100								
QSL-1/8-8								
QSL-1/8-8-50								
QSL-1/8-10	R1/4	6	12,5	22,5	8	24,8	20,3	10
QSL-1/8-8								
QSL-1/8-8-50								
QSL-1/8-10								
QSL-1/4-4								
QSL-1/4-6								
QSL-1/4-6-100	R1/4	8	14,5	24	8	27,3	22,7	12
QSL-1/4-8								
QSL-1/4-8-50								
QSL-1/4-10								
QSL-1/4-10-50								
QSL-1/4-12								
QSL-1/4-12-20	R3/8	10	17,5	25	8	29,8	25,5	12
QSL-1/4-4								
QSL-1/4-6								
QSL-1/4-6-100								
QSL-1/4-8								
QSL-1/4-8-50								
QSL-1/4-10	R3/8	12	21	28,5	11	31,2	26	14
QSL-1/4-10-50								
QSL-1/4-12								
QSL-1/4-12-20								
QSL-3/8-6								
QSL-3/8-8								
QSL-3/8-8-50	R3/8	10	17,5	31,5	12	31,4	23,8	17
QSL-3/8-10								
QSL-3/8-10-20								
QSL-3/8-12								
QSL-3/8-12-20								
QSL-1/2-10								
QSL-1/2-10-50								
QSL-1/2-12								
QSL-1/2-12-20								
QSL-1/2-10	R1/2	10	17,5	36	15	36,6	27,5	21
QSL-1/2-10-50								
QSL-1/2-12								
QSL-1/2-12-20								

## Dimensions

### Dimensions – Push-in L-fitting QSL-...-16, R thread

[Download CAD data](#)

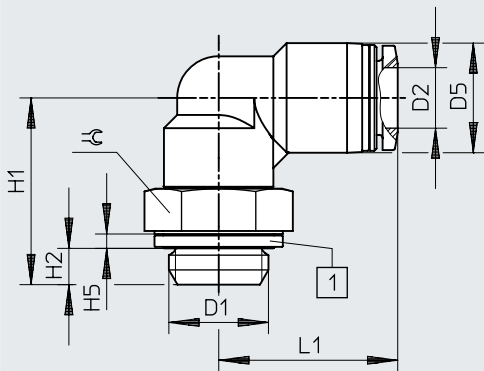


	D1	D2	D5 ∅	H1	H2	H3	L1	≅
QSL-3/8-16	R3/8	16	25	47	11	53,2	33,1	22
QSL-1/2-16	R1/2	16	25	51	15	55,3	33,1	22
QSL-1/2-16-20								

## Dimensions

Dimensions – Push-in L-fitting QSL, G thread with sealing ring

[Download CAD data](#)



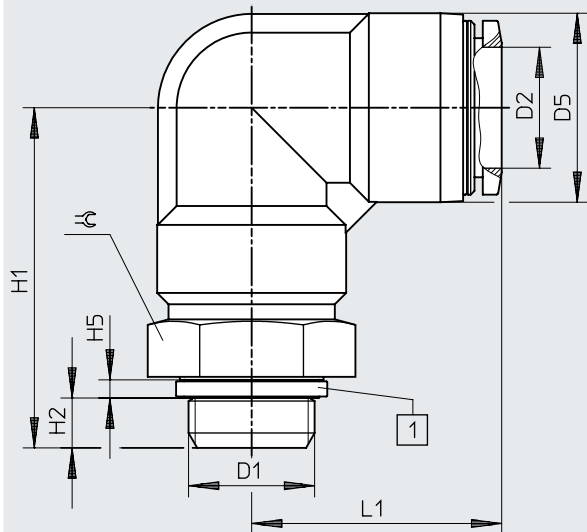
[1] Sealing ring

	D1	D2	D5 ∅	H1	H2	H5	L1	≅	
QSL-G1/8-4	G1/8	4	10	21,1	4,2	1,9	18,7	13	
QSL-G1/8-4-100		6	12,5	21,6	4,2	1,9	20,3	13	
QSL-G1/8-6		8	14,5	22,1	4,2	1,9	22,7	13	
QSL-G1/8-6-100		G1/4	6	12,5	24,7	4,8	1,9	21,8	17
QSL-G1/8-8			8	14,5	24,7	4,8	1,9	23,7	17
QSL-G1/8-8-50			10	17,5	25,2	4,8	1,9	26	17
QSL-G1/4-6	12		21	26,5	4,8	1,9	29	17	
QSL-G1/4-6-100	G3/8		8	14,5	27,2	5,8	2,4	24,7	19
QSL-G1/4-8			10	17,5	28,2	5,8	2,4	27	19
QSL-G1/4-8-50		12	21	28,7	5,8	2,4	29,7	19	
QSL-G1/4-10		G1/2	12	21	32,2	6,8	2,4	30,7	24
QSL-G1/4-10-50			12	21	32,2	6,8	2,4	30,7	24
QSL-G1/4-12			12	21	32,2	6,8	2,4	30,7	24
QSL-G1/4-12-20	12		21	32,2	6,8	2,4	30,7	24	
QSL-G3/8-8	12		21	32,2	6,8	2,4	30,7	24	
QSL-G3/8-8-50	12		21	32,2	6,8	2,4	30,7	24	
QSL-G3/8-10	12	21	32,2	6,8	2,4	30,7	24		
QSL-G3/8-10-20	12	21	32,2	6,8	2,4	30,7	24		
QSL-G3/8-12	12	21	32,2	6,8	2,4	30,7	24		
QSL-G3/8-12-20	12	21	32,2	6,8	2,4	30,7	24		
QSL-G1/2-12	12	21	32,2	6,8	2,4	30,7	24		
QSL-G1/2-12-20	12	21	32,2	6,8	2,4	30,7	24		

## Dimensions

### Dimensions – Push-in L-fitting QSL-...-16, G thread with sealing ring

[Download CAD data](#)



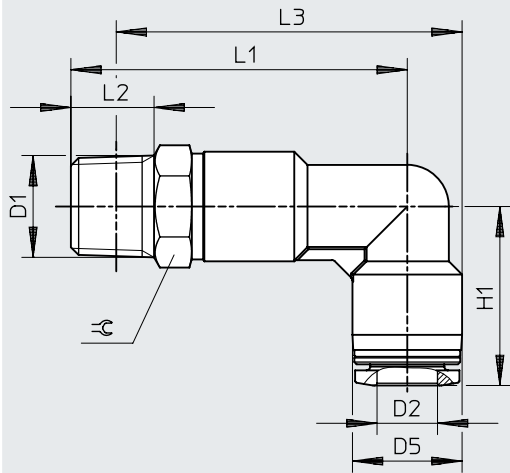
[1] Sealing ring

	D1	D2	D5 ∅	H1	H2	H5	L1	≈
QSL-G3/8-16	G3/8	16	25	44,2	5,8	2,4	33,1	24
QSL-G1/2-16	G1/2	16	25	45,2	6,8	2,4	33,1	24
QSL-G1/2-16-20								

## Dimensions

Dimensions – Push-in L-fitting, long, QSLL, R thread

[Download CAD data](#)

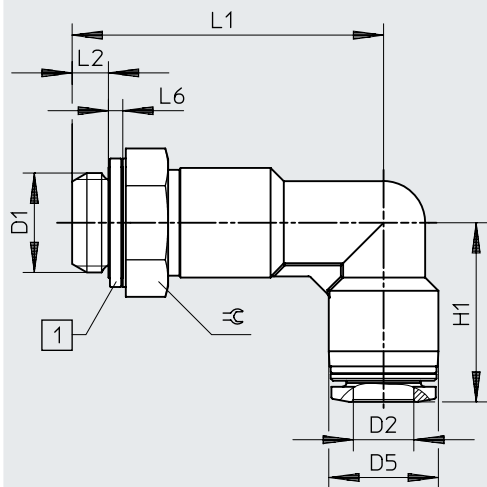


	D1	D2	D5 ∅	H1	L1	L2	L3	⊘
QSLL-1/8-4	R1/8	4	10	18,7	34	8	35	10
QSLL-1/8-6		6	12,5	20,3	37	8	39,3	10
QSLL-1/8-8		8	14,5	22,7	40,5	8	43,8	12
QSLL-1/4-4	R1/4	4	10	20,7	41	11	40	14
QSLL-1/4-6		6	12,5	21,8	42,5	11	42,7	14
QSLL-1/4-8		8	14,5	23,7	44,5	11	45,7	14
QSLL-1/4-10		10	17,5	26	48	11	50,7	14
QSLL-3/8-6	R3/8	6	12,5	23,8	46	12	45,9	17
QSLL-3/8-8		8	14,5	24,7	47,5	12	48,4	17
QSLL-3/8-10		10	17,5	27	51,5	12	53,9	17
QSLL-3/8-12		12	21	29,7	55,5	12	59,7	17
QSLL-1/2-10	R1/2	10	17,5	27	55,5	15	56,1	21
QSLL-1/2-12		12	21	29,7	59,5	15	61,8	21

## Dimensions

Dimensions – Push-in L-fitting, long, QSLL, G thread with sealing ring

[Download CAD data](#)



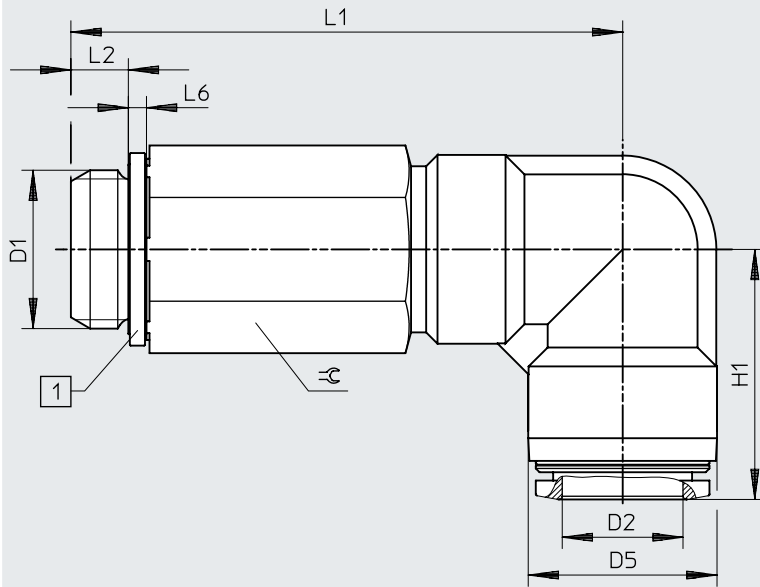
[1] Sealing ring

	D1	D2	D5 ∅	H1	L1	L2	L6	≈							
QSLL-G1/8-4	G1/8	4	10	18,7	33,1	4,2	1,9	13							
QSLL-G1/8-4-100															
QSLL-G1/8-6		6	12,5	20,3	36,1	4,2	1,9	13							
QSLL-G1/8-6-100															
QSLL-G1/8-8									8	14,5	22,7	38,6	4,2	1,9	13
QSLL-G1/8-8-100															
QSLL-G1/4-6	G1/4	6	12,5	21,8	39,2	4,8	1,9	17							
QSLL-G1/4-8		8	14,5	23,7	41,2	4,8	1,9	17							
QSLL-G1/4-10		10	17,5	26	44,7	4,8	1,9	17							
QSLL-G1/4-12		12	21	29	49,5	4,8	1,9	17							
QSLL-G3/8-8	G3/8	8	14,5	24,7	43,7	5,8	2,4	19							
QSLL-G3/8-10		10	17,5	27	47,7	5,8	2,4	19							
QSLL-G3/8-12		12	21	29,7	51,7	5,8	2,4	19							
QSLL-G1/2-12	G1/2	12	21	29,7	55,2	6,8	2,4	24							

## Dimensions

Dimensions – Push-in L-fitting, long QSL-...-16, G-thread with sealing ring

[Download CAD data](#)



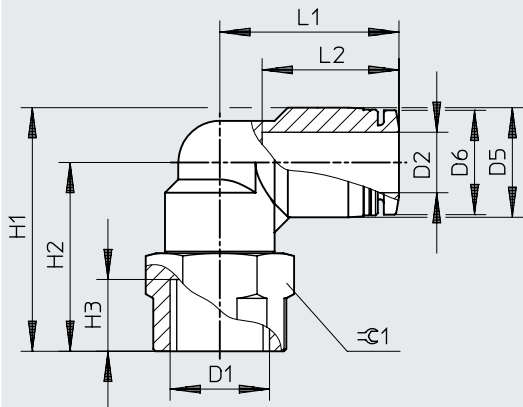
[1] Sealing ring

	D1	D2	D5 Ø	H1	L1	L2	L6	≈
QSL-G1/2-16	G1/2	16	25	33,1	72,2	6,8	2,4	24

## Dimensions

### Dimensions – Push-in L-fitting QSLF, G thread

[Download CAD data](#)

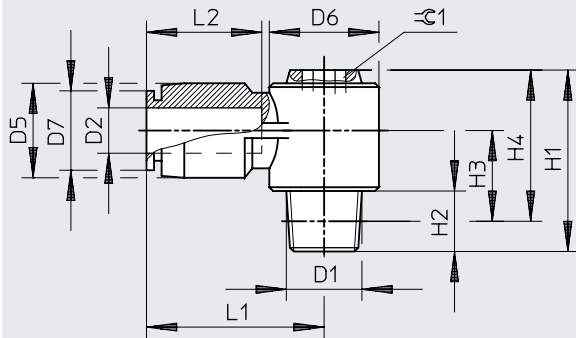


	D1	D2	D5 ∅	D6 ∅	H1	H2	H3	L1	L2	≈ $\sigma$
QSLF-1/8-4-B	G1/8	4	10	9,9	25	20	7	18,7	14,9	14
QSLF-1/8-6-B		6	12,5	11,8	26,8	20,5	7	20,3	17	14
QSLF-1/8-8-B		8	14,5	13,8	28,3	21	7	22,7	18,1	14
QSLF-1/4-6-B	G1/4	6	12,5	11,8	31,3	25	9,5	21,8	17	17
QSLF-1/4-8-B		8	14,5	13,8	32,3	25	9,5	23,7	18,1	17
QSLF-1/4-10-B		10	17,5	16,8	34,3	25,5	9,5	26	20,2	17
QSLF-3/8-8-B	G3/8	8	14,5	13,8	34,8	27,5	11	24,7	18,1	21
QSLF-3/8-10-B		10	17,5	16,8	37,3	28,5	11	27	20,2	21

## Dimensions

Dimensions – Push-in L-fitting QSLV-...-I, R thread

[Download CAD data](#)

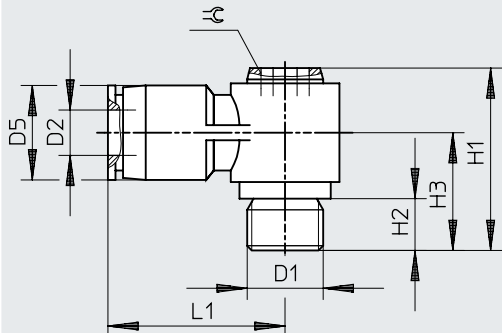


	D1	D2	D5 ø	D6 ø	D7 ø	H1	H2	H3	H4	L1	L2	≡C
QSLV-1/8-6-I	R1/8	6	13	14,3	11,8	24	8	11,5	20	23,7	17	5
QSLV-1/8-8-I		8	14	17,9	13,8	27	8	12	23	26,7	18,1	8
QSLV-1/4-6-I	R1/4	6	13	14,3	11,8	27	11	12,5	21	23,7	17	5
QSLV-1/4-8-I		8	14	17,9	13,8	30	11	13	24	26,7	18,1	8
QSLV-1/4-10-I		10	18	21,3	16,8	34	11	15	28	30,7	20,7	10
QSLV-3/8-8-I	R3/8	8	14	17,9	13,8	31	12	13,7	24,7	26,7	18,1	8
QSLV-3/8-10-I		10	18	21,3	16,8	35	12	15,7	28,7	30,7	20,7	10
QSLV-3/8-12-I		12	21	26,3	19,8	39	12	17,7	32,7	36,4	23,4	12
QSLV-1/2-12-I	R1/2	12	21	26,3	19,8	42	15	18,8	33,8	36,4	23,4	12

## Dimensions

### Dimensions – Push-in L-fitting QSLV-...-I, G thread

[Download CAD data](#)

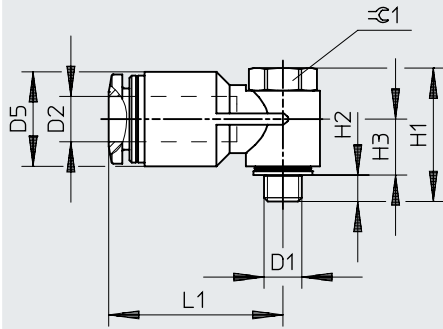


	D1	D2	D5 ∅	H1	H2	H3	L1	☞
QSLV-G1/8-6-I	G1/8	6	13	23	5,1	14,5	23,7	5
QSLV-G1/8-8-I		8	14	26	5,1	15	26,7	8
QSLV-G1/4-6-I	G1/4	6	13	23,5	5,6	15	23,7	5
QSLV-G1/4-8-I		8	14	26,5	5,6	15,5	26,7	8
QSLV-G1/4-10-I		10	18	30,5	5,6	17,5	30,7	10
QSLV-G3/8-8-I	G3/8	8	14	28	6,6	17	26,7	8
QSLV-G3/8-10-I		10	18	32	6,6	19	30,7	10
QSLV-G3/8-12-I		12	21	36	6,6	21	36,4	12
QSLV-G1/2-12-I	G1/2	12	21	37	7,6	22	36,4	12

## Dimensions

Dimensions – Push-in L-fitting QSLV, metric thread with sealing ring

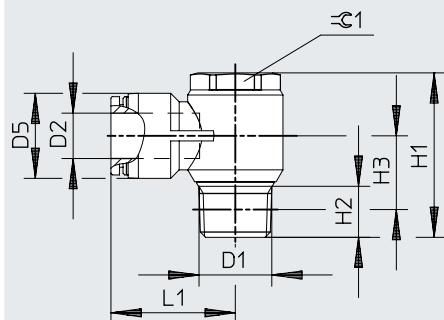
[Download CAD data](#)



	D1	D2	D5 ∅	H1	H2	H3	L1	±0.1
QSLV-M5-6	M5	6	12,5	17,2	3	7,4	23,1	8

## Dimensions

## Dimensions – Push-in L-fitting QSLV, R-thread

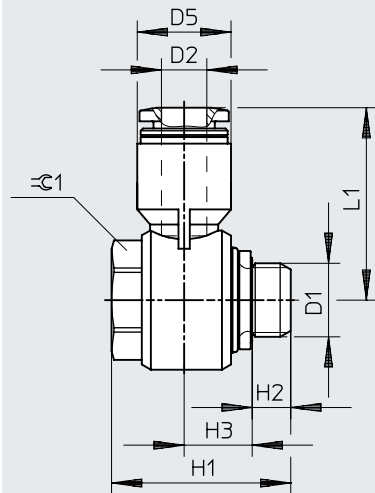
Download CAD data [↗](#)

	D1	D2	D5 ø	H1	H2	H3	L1	R 1
QSLV-1/8-4	R1/8	4	10	27	8	12	22,2	14
QSLV-1/8-4-100								
QSLV-1/8-6		6	12,5	27	8	12	24,2	14
QSLV-1/8-6-100								
QSLV-1/8-8		8	14,5	27	8	12,3	26,2	14
QSLV-1/8-8-50								
QSLV-1/4-6	R1/4	6	12,5	31,5	11	13,5	26,8	17
QSLV-1/4-6-100								
QSLV-1/4-8		8	14,5	31,5	11	13,5	28,2	17
QSLV-1/4-8-50								
QSLV-1/4-10		10	17,5	31,5	11	15	30,5	17
QSLV-1/4-10-50								
QSLV-3/8-8	R3/8	8	14,5	36	12	15,7	30,2	21
QSLV-3/8-10		10	18	36	12	15,7	32,5	21
QSLV-3/8-12		12	21	36	12	17,2	35,2	21
QSLV-1/2-12	R1/2	12	21	40,2	13	16,5	38,2	24
QSLV-1/2-16		16	25	48,3	15	21,6	36,6	24

## Dimensions

Dimensions – Push-in L-fitting QSLV, G thread with sealing ring

[Download CAD data](#)

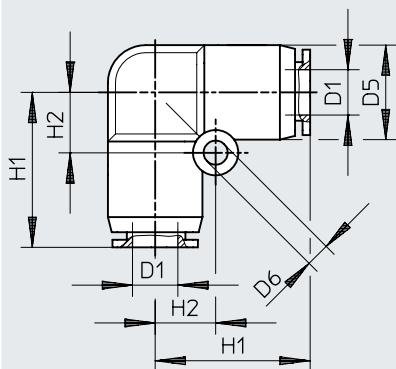


	D1	D2	D5 ø	H1	H2	H3	L1	G 1
QSLV-G1/8-4	G1/8	4	10	23,7	5,1	8,7	23,4	14
QSLV-G1/8-4-100								
QSLV-G1/8-6								
QSLV-G1/8-6-100								
QSLV-G1/8-8								
QSLV-G1/8-8-50	G1/4	6	12,4	23,7	5,1	9	25,5	14
QSLV-G1/4-6								
QSLV-G1/4-6-100								
QSLV-G1/4-8								
QSLV-G1/4-8-50								
QSLV-G1/4-10	G3/8	8	14,4	23,7	5,1	10	28,4	14
QSLV-G1/4-10-50								
QSLV-G3/8-8								
QSLV-G3/8-10								
QSLV-G3/8-12								
QSLV-G1/2-12	G1/2	12	21	34	7,6	14,3	37,9	27
QSLV-G1/2-16								

## Dimensions

### Dimensions – Push-in L-connector QSL

[Download CAD data](#)

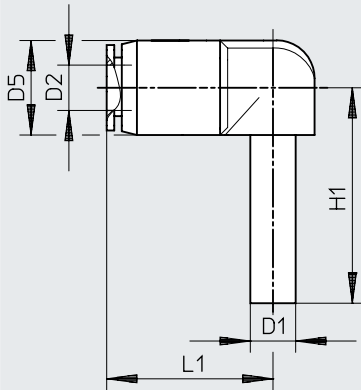


	D1	D5 ∅	D6 ∅	H1	H2
QSL-4	4	10	3,2	16,9	6,5
QSL-4-100					
QSL-6	6	12,5	3,2	20,1	8
QSL-6-100					
QSL-8	8	15	4,2	22,4	10
QSL-8-50					
QSL-10	10	17,5	4,2	26,2	12
QSL-10-50					
QSL-12	12	21	4,2	29,4	14
QSL-12-20					
QSL-16	16	25	4,2	33,1	12
QSL-16-20					

## Dimensions

Dimensions – Push-in L-connector QSL-...HL with push-in sleeve

[Download CAD data](#)

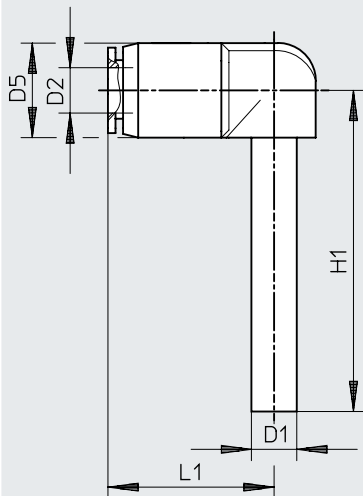


	D1	D2	D5 ∅	H1	L1
QSL-4H	QS-4	4	10	25	16,8
QSL-4H-100					
QSL-6H	QS-6	6	12,5	28,5	19,8
QSL-6H-100					
QSL-8H	QS-8	8	14,5	30,7	21,8
QSL-8H-50					
QSL-10H	QS-10	10	17,5	33,7	24,9
QSL-10H-50					
QSL-12H	QS-12	12	21	39	28,9
QSL-6H-4	QS-6	4	12,5	28,5	17,7
QSL-8H-6	QS-8	6	14,5	30,7	21,9
QSL-10H-8	QS-10	8	17,5	33,7	24,6
QSL-12H-10	QS-12	10	21	39	28,7

## Dimensions

Dimensions – Push-in L-connector QSL-...H with long push-in sleeve

[Download CAD data](#)

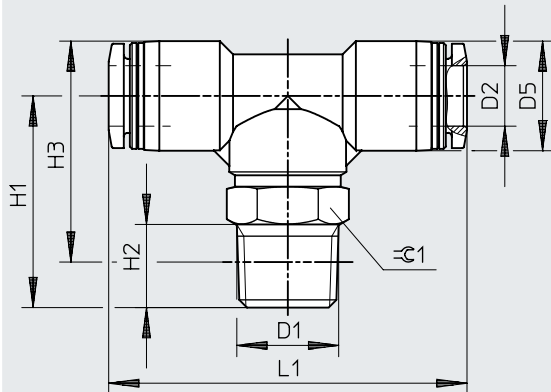


	D1	D2	D5 ∅	H1	L1
QSL-4HL	QS-4	4	10	36	16,8
QSL-6HL	QS-6	6	12,5	42	19,8
QSL-8HL	QS-8	8	14,5	46,7	21,8
QSL-10HL	QS-10	10	17,5	51,7	24,9
QSL-12HL	QS-12	12	21	59,5	28,95

## Dimensions

Dimensions – Push-in T-fitting QST, R thread

[Download CAD data](#)

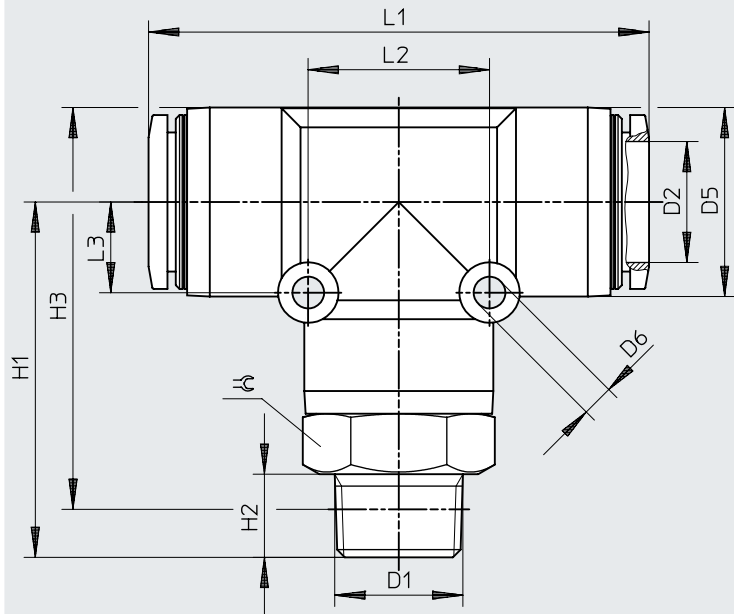


	D1	D2	D5 ø	H1	H2	H3	L1	⊖
QST-1/8-4	R1/8	4	10	22	8	23	37,4	10
QST-1/8-4-100		6	12,5	22,5	8	24,8	40,5	10
QST-1/8-6		8	14,5	24	8	27,3	45,4	12
QST-1/8-6-100		10	17,5	25	8	29,8	51	12
QST-1/8-8		4	10	29	11	28	41,4	14
QST-1/8-8-50		6	12,5	28	11	28,2	43,5	14
QST-1/4-4	R1/4	8	14,5	28	11	29,2	47,4	14
QST-1/4-6		10	17,5	28,5	11	31,2	52	14
QST-1/4-6-100		12	21	29,8	11	34,2	57,9	14
QST-1/4-8		6	12,5	31,5	12	31,4	47,5	17
QST-1/4-8-50		8	14,5	31	12	31,9	49,4	17
QST-1/4-10		10	17,5	32	12	34,4	54	17
QST-1/4-10-50	R3/8	12	21	32,5	12	36,7	59,4	17
QST-1/4-12		10	17,5	36	15	36,6	55	21
QST-3/8-6		12	21	36,5	15	38,8	61,4	21
QST-3/8-8		10	17,5	36	15	36,6	55	21
QST-3/8-8-50		12	21	36,5	15	38,8	61,4	21
QST-3/8-10		10	17,5	36	15	36,6	55	21
QST-3/8-10-20	R1/2	12	21	36,5	15	38,8	61,4	21
QST-3/8-12		10	17,5	36	15	36,6	55	21
QST-3/8-12-20		12	21	36,5	15	38,8	61,4	21
QST-1/2-10		10	17,5	36	15	36,6	55	21
QST-1/2-12		12	21	36,5	15	38,8	61,4	21

## Dimensions

### Dimensions – Push-in T-fitting QST...-16, R-thread

Download CAD data [www.festo.com](http://www.festo.com)

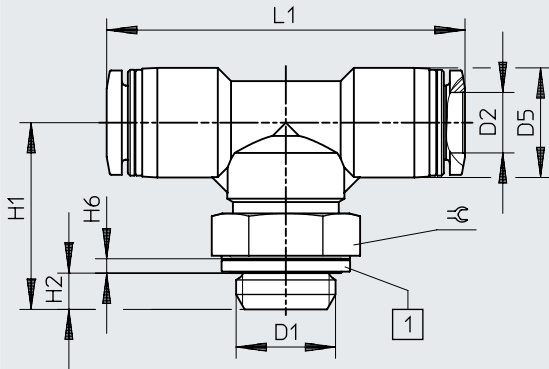


	D1	D2	D5 ∅	D6 ∅	H1	H2	H3	L1	L2	L3	≅
QST-3/8-16	R3/8	16	25	4,2	47	11	53,2	66,2	24	12	22
QST-1/2-16	R1/2	16	25	4,2	51	15	55,3	66,2	24	12	22

## Dimensions

Dimensions – Push-in T-fitting QST, G-thread with sealing ring

[Download CAD data](#)



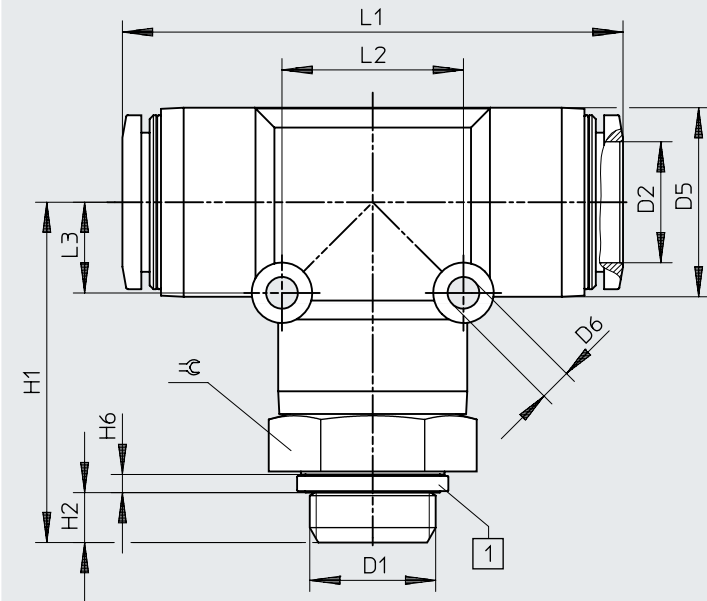
[1] Sealing ring

	D1	D2	D5 ø	H1	H2	H6	L1	≅
QST-G1/8-4	G1/8	4	10	21,1	4,2	1,9	37,4	13
QST-G1/8-4-100								
QST-G1/8-6		6	12,5	21,6	4,2	1,9	40,5	13
QST-G1/8-6-100								
QST-G1/8-8		8	14,5	22,1	4,2	1,9	45,4	13
QST-G1/8-8-50								
QST-G1/4-6	G1/4	6	12,5	24,7	4,8	1,9	43,5	17
QST-G1/4-6-100								
QST-G1/4-8		8	14,5	24,7	4,8	1,9	47,4	17
QST-G1/4-8-50								
QST-G1/4-10		10	17,5	25,2	4,8	1,9	52	17
QST-G1/4-10-50								
QST-G1/4-12		12	21	26,5	4,8	1,9	57,9	17
QST-G3/8-8	G3/8	8	14,5	27,2	5,8	2,4	49,4	19
QST-G3/8-8-50								
QST-G3/8-10		10	17,5	28,2	5,8	2,4	54	19
QST-G3/8-10-20								
QST-G3/8-12		12	21	28,7	5,8	2,4	59,4	19
QST-G3/8-12-20								
QST-G1/2-12	G1/2	12	21	32,2	6,8	2,4	61,4	24

## Dimensions

Dimensions – Push-in T-fitting QST-...-16, G thread with sealing ring

[Download CAD data](#)



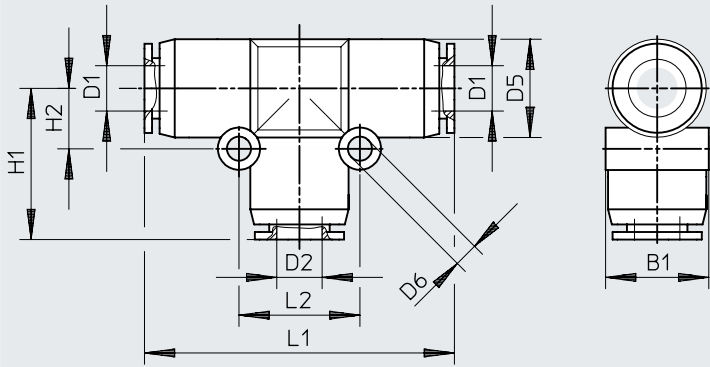
[1] Sealing ring

	D1	D2	D5 ∅	D6 ∅	H1	H2	H6	L1	L2	L3	≅
QST-G3/8-16	G3/8	16	25	4,2	44,2	5,8	2,4	66,2	24	12	24
QST-G1/2-16	G1/2	16	25	4,2	45,2	6,8	2,4	66,2	24	12	24

## Dimensions

Dimensions – Push-in T-connector QST

[Download CAD data](#)

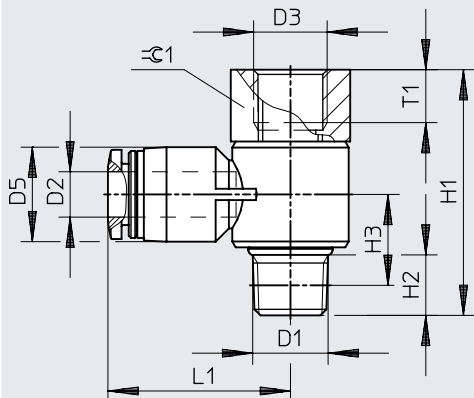


	D1	D2	D5 ∅	D6 ∅	B1	H1	H2	L1	L2
QST-4	4	4	10	3,2	10,4	17,2	6,5	34,4	13
QST-4-100									
QST-6	6	6	13	3,2	13,5	20,1	8	40,2	16
QST-6-100									
QST-8	8	8	15	3,2	15,6	22,2	9	44,4	18
QST-8-50									
QST-10	10	10	17,5	4,2	18,2	25,2	12	50,4	24
QST-10-50									
QST-12	12	12	21	4,2	21,7	28,4	14	56,8	28
QST-12-20									
QST-16	16	16	25	4,2	25,6	33,1	12	66,2	24
QST-6-4	6	4	13	3,2	13	19,5	8	40,1	16
QST-6-4-100									
QST-8-4	8	4	14,5	3,2	15,1	21,7	9	44,4	18
QST-8-6		6	14,5	3,2	15,1	22,3	9	44,4	18
QST-8-6-50									
QST-10-6	10	6	17,5	4,2	18,2	25	12	50,4	24
QST-10-8		8	17,5	4,2	18,2	24,9	12	50,4	24
QST-10-8-50									
QST-12-8	12	8	21	4,2	21,7	27,7	14	56,8	28
QST-12-10		10	21	4,2	21,7	28	14	56,8	28
QST-12-10-20									
QST-16-12	16	12	25	4,2	25,7	33,2	12	66,2	24

## Dimensions

### Dimensions – Push-in T-fitting QSTF, R thread

[Download CAD data](#)

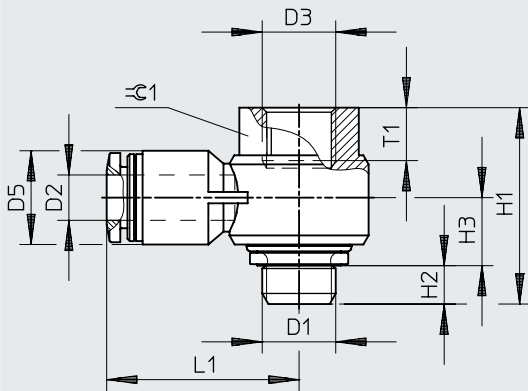


	D1	D2	D3	D5 ∅	H1	H2	H3	L1	T1	≈ 1
QSTF-1/8-4-B	R1/8	4	G1/8	10	32,5	8	12	22,2	7	14
QSTF-1/8-6-B		6	G1/8	12,5	32,5	8	12	24,2	7	14
QSTF-1/8-8-B		8	G1/8	14,5	32,5	8	12,3	26,2	7	14
QSTF-1/4-6-B	R1/4	6	G1/4	12,5	38,5	11	13,5	26,8	9,5	17
QSTF-1/4-8-B		8	G1/4	14,5	38,5	11	13,5	28,2	9,5	17
QSTF-1/4-10-B		10	G1/4	17,5	38,5	11	15	30,5	9,5	17
QSTF-3/8-8-B	R3/8	8	G3/8	14,5	44,5	12	15,7	30,2	11	21
QSTF-3/8-10-B		10	G3/8	18	44,5	12	15,7	32,5	11	21
QSTF-3/8-12-B		12	G3/8	21	44,5	12	17,2	35,2	11	21
QSTF-1/2-12-B	R1/2	12	G1/2	21	52,2	13	16,5	38,2	14	24

## Dimensions

Dimensions – Push-in T-fitting QSTF, G thread with sealing ring

[Download CAD data](#)

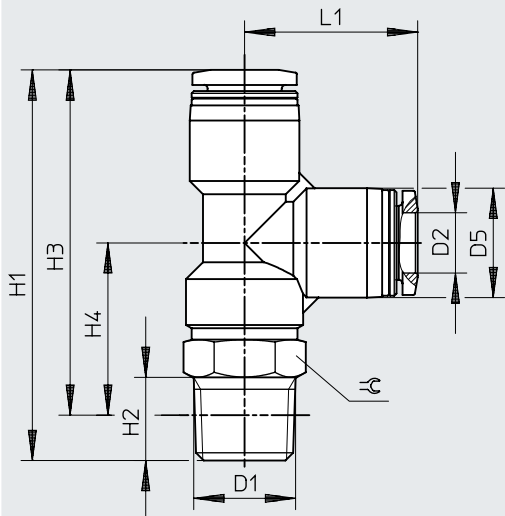


	D1	D2	D3	D5 ∅	H1	H2	H3	L1	T1	=C 1
QSTF-G1/8-4	G1/8	4	G1/8	10	26	5,1	8,7	23,4	7	14
QSTF-G1/8-6		6	G1/8	12,4	26	5,1	9	25,5	7	14
QSTF-G1/8-8		8	G1/8	14,4	26	5,1	10	28,4	7	14
QSTF-G1/4-6	G1/4	6	G1/4	14,5	33,2	5,6	10,4	29	9,5	19
QSTF-G1/4-8		8	G1/4	14,5	33,2	5,6	10,4	28,9	9,5	19
QSTF-G1/4-10		10	G1/4	17,6	33,2	5,6	11,7	31,2	9,5	19
QSTF-G3/8-8	G3/8	8	G3/8	14,4	38,1	6,6	12,6	31	11	24
QSTF-G3/8-10		10	G3/8	17,6	38,1	6,6	12,6	33,6	11	24
QSTF-G3/8-12		12	G3/8	21	38,1	6,6	14,3	36,4	11	24
QSTF-G1/2-12	G1/2	12	G1/2	21	42,8	7,6	14,3	37,9	14	27

## Dimensions

Dimensions – Push-in T-fitting QSTL, R thread

[Download CAD data](#)

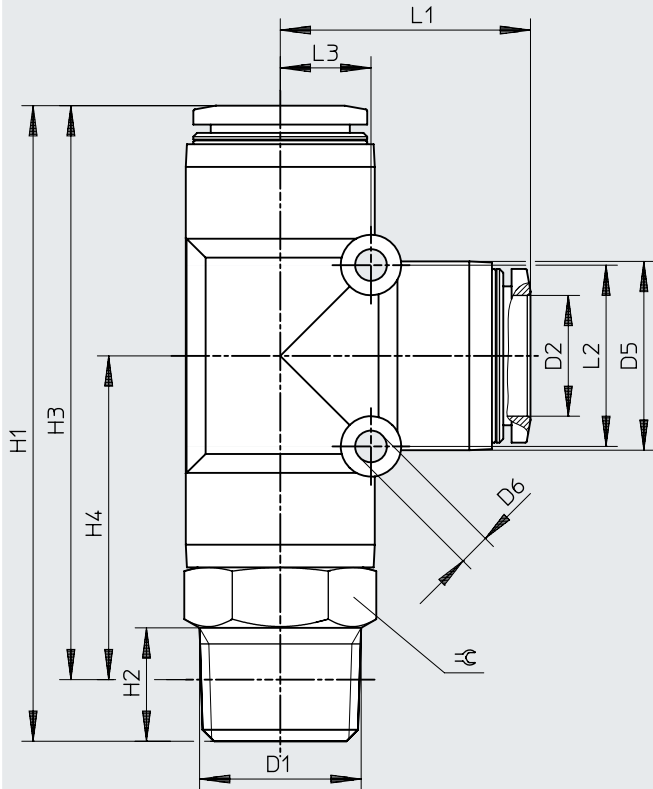


	D1	D2	D5 ø	H1	H2	H3	H4	L1	⌀
QSTL-1/8-4	R1/8	4	10	40,2	8	36,2	19	17,2	10
QSTL-1/8-4-100									
QSTL-1/8-6		6	12,5	43,3	8	39,3	18,8	20,5	10
QSTL-1/8-6-100									
QSTL-1/8-8									
QSTL-1/8-8-50	8	14,5	46,9	8	42,9	20	22,9	12	
QSTL-1/4-6	R1/4	6	12,5	48,8	11	42,7	22,2	20,5	14
QSTL-1/4-6-100									
QSTL-1/4-8		8	14,5	51,7	11	45,7	22,8	22,9	14
QSTL-1/4-8-50									
QSTL-1/4-10									
QSTL-1/4-10-50	10	17,5	54,7	11	48,7	22,5	26,2	14	
QSTL-3/8-8	R3/8	8	14,5	55,4	12	49,1	26,2	22,9	17
QSTL-3/8-10		10	17,5	58,2	12	51,9	25,7	26,2	17
QSTL-3/8-12		12	21	63,5	12	57,2	26,7	30,5	17
QSTL-1/2-12	R1/2	12	21	67,5	15	59,3	28,8	30,7	21

## Dimensions

Dimensions – Push-in T-bolt QSTL-...-16, R thread

[Download CAD data](#)

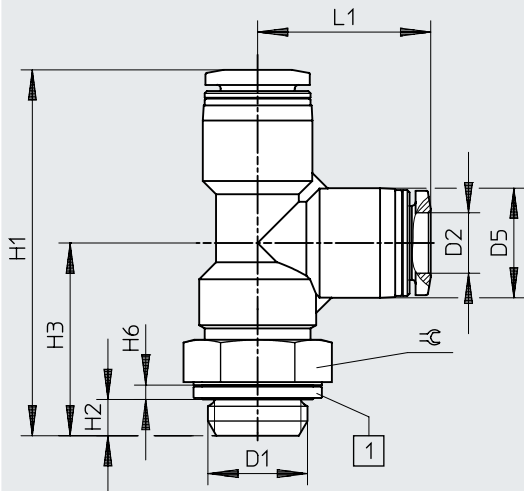


	D1	D2	D5 ∅	D6 ∅	H1	H2	H3	H4	L1	L2	L3	≅
QSTL-1/2-16	R1/2	16	25	4,2	84,1	15	75,9	42,8	33,1	24	12	22

## Dimensions

### Dimensions – Push-in T-fitting QSTL, G thread with sealing ring

[Download CAD data](#)



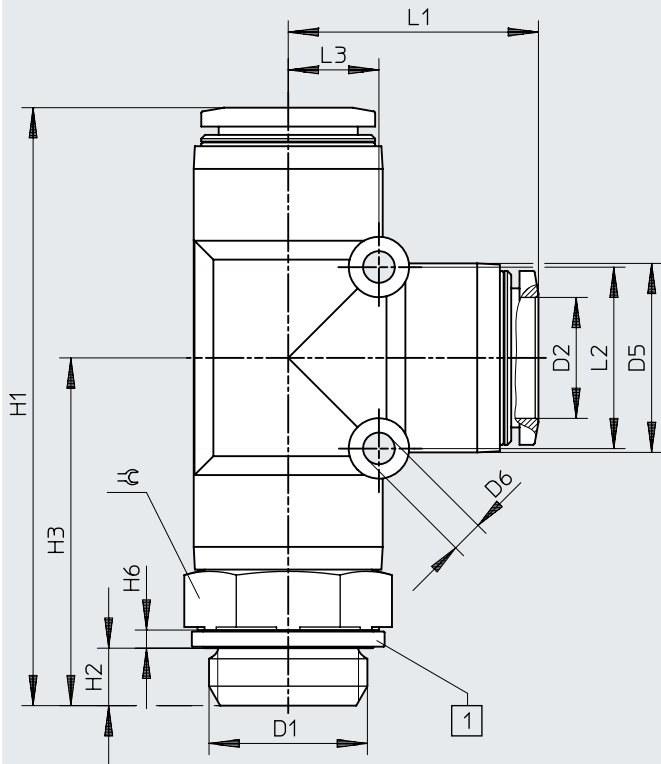
[1] Sealing ring

	D1	D2	D5 ∅	H1	H2	H3	H6	L1	⊕
QSTL-G1/8-4	G1/8	4	10	39,3	4,2	22,1	1,9	17,2	13
QSTL-G1/8-4-100									
QSTL-G1/8-6		6	12,5	42,4	4,2	21,9	1,9	20,5	13
QSTL-G1/8-6-100									
QSTL-G1/8-8		8	14,5	45	4,2	22,1	1,9	22,9	13
QSTL-G1/8-8-50									
QSTL-G1/4-6	G1/4	6	12,5	45,5	4,8	25	1,9	20,5	17
QSTL-G1/4-6-100									
QSTL-G1/4-8		8	14,5	48,4	4,8	25,5	1,9	22,9	17
QSTL-G1/4-8-50									
QSTL-G1/4-10		10	17,5	51,4	4,8	25,2	1,9	26,2	17
QSTL-G1/4-10-50									
QSTL-G3/8-8	G3/8	8	14,5	51,6	5,8	28,7	2,4	22,9	19
QSTL-G3/8-10		10	17,5	54,4	5,8	28,2	2,4	26,2	19
QSTL-G3/8-12		12	21	59,7	5,8	29,2	2,4	30,5	19
QSTL-G1/2-12	G1/2	12	21	63,2	6,8	32,7	2,4	30,7	24

## Dimensions

### Dimensions – Push-in T-fitting QSTL-...-16, G thread with sealing ring

[Download CAD data](#)



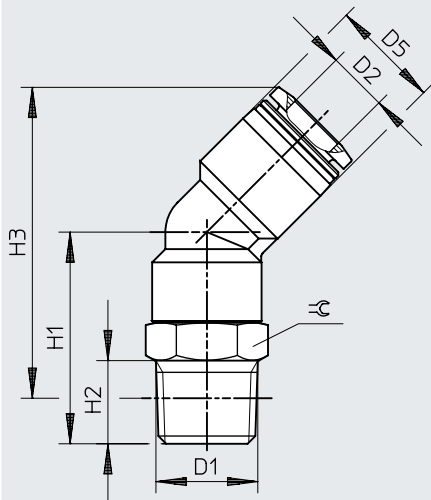
[1] Sealing ring

	D1	D2	D5 ∅	D6 ∅	H1	H2	H3	H6	L1	L2	L3	≡C
QSTL-G1/2-16	G1/2	16	25	4,2	78,3	6,8	45,2	2,4	33,1	24	12	24

## Dimensions

Dimensions – Push-in fitting QSW, R thread

[Download CAD data](#)

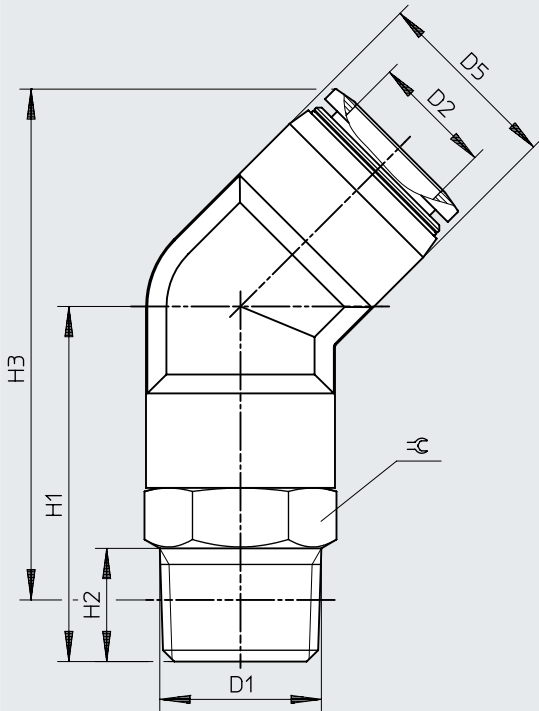


	D1	D2	D5 ∅	H1	H2	H3	≈G
QSW-1/8-4	R1/8	4	8	14,8	8	23	10
QSW-1/8-6		6	10,5	16,4	8	25,3	10
QSW-1/8-8		8	14,5	24	8	39,2	12
QSW-1/4-6	R1/4	6	10,5	21,4	11	28,2	14
QSW-1/4-8		8	14,5	28	11	41,2	14
QSW-1/4-10		10	17,5	28,5	11	44,9	14
QSW-3/8-10	R3/8	10	17,5	33	12	49,1	17
QSW-3/8-12		12	21	32,5	12	53,2	17
QSW-1/2-12	R1/2	12	21	36,5	15	55,4	21

## Dimensions

Dimensions – Push-in fitting QSW-...-16, R thread

[Download CAD data](#)

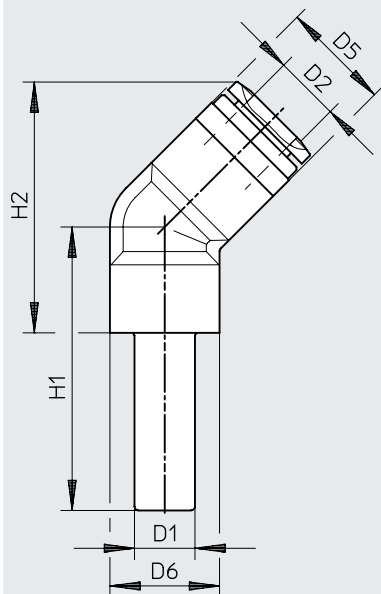


	D1	D2	D1	D2	H2	H3	☞
QSW-1/2-16	R1/2	16	25	47	15	67,6	22

## Dimensions

Dimensions – Push-in connector QSW-...HL with push-in sleeve

[Download CAD data](#)

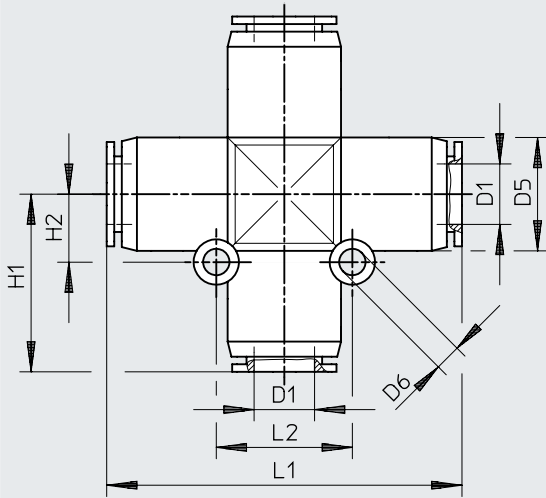


	D1	D2	D5	D6	H1	H2
QSW-4HL	QS-4	4	8	8	21,8	15
QSW-6HL	QS-6	6	10,5	8	24,6	17,3
QSW-8HL	QS-8	8	14,5	10	28,5	25,7
QSW-10HL	QS-10	10	17,5	11	31,5	30,5
QSW-12HL	QS-12	12	21	14	35,5	36,3

## Dimensions

Dimensions – Push-in X-connector QSX

[Download CAD data](#)

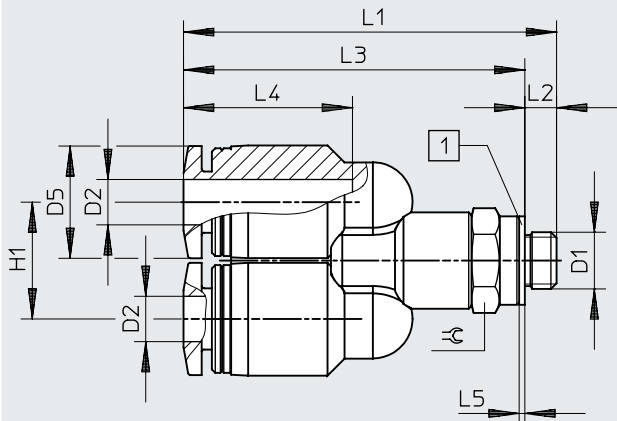


	D1	D5 ∅	D6 ∅	H1	H2	L1	L2
QSX-8	8	15	3,5	23,5	9	47	18
QSX-10	10	17,5	4,5	27,5	11	55	22
QSX-12	12	21	4,5	31	12	62	24

## Dimensions

### Dimensions – Push-in Y-fitting QSY, metric thread with sealing ring

[Download CAD data](#)



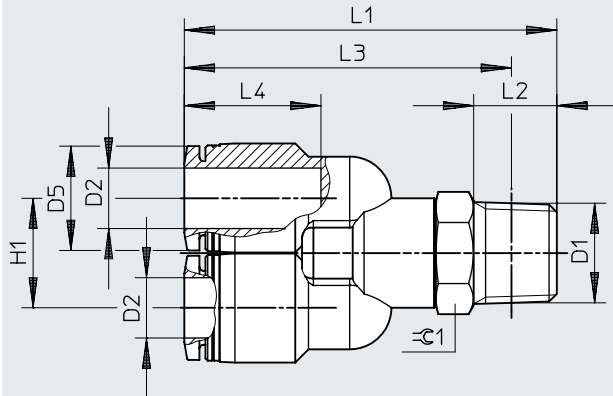
[1] Sealing ring

	D1	D2	D5 ∅	H1	L1	L2	L3	L4	L5	≈ C
QSY-M5-4	M5x0,8	4	10	10,3	32,9	2,8	30,1	14,9	0,5	8
QSY-M5-6		6	12,5	12,5	38,3	2,8	35,5	17	0,5	10

## Dimensions

Dimensions – Push-in Y-connector QSY, R-thread

[Download CAD data](#)

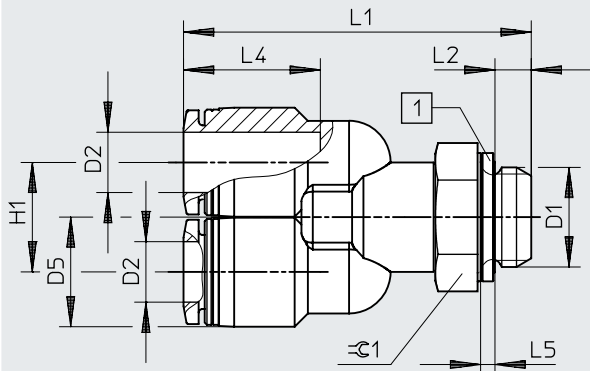


	D1	D2	D5 ∅	H1	L1	L2	L3	L4	≡
QSY-1/8-4	R1/8	4	10	10,3	38,4	8	34,4	14,9	10
QSY-1/8-6		6	12,5	12,5	41,3	8	37,3	17	10
QSY-1/8-8		8	14,5	14,5	46,1	8	42,1	18,1	12
QSY-1/4-4	R1/4	4	10	10,3	43,4	11	37,4	14,9	14
QSY-1/4-6		6	12,5	12,5	48,3	11	42,2	17	14
QSY-1/4-8		8	14,5	14,5	49,3	11	43,3	18,1	14
QSY-1/4-10		10	17,5	17,5	53,6	11	47,6	20,2	14
QSY-3/8-8	R3/8	8	14,5	14,5	52,5	12	46,2	18,1	17
QSY-3/8-10		10	17,5	17,5	56,7	12	50,4	20,2	17
QSY-3/8-12		12	21	21	60,6	12	54,3	23,4	17
QSY-1/2-10	R1/2	10	17,5	17,5	60,2	15	52	20,2	21
QSY-1/2-12		12	21	21	64,7	15	56,5	23,4	21

## Dimensions

Dimensions – Push-in Y-fitting QSY, G thread with sealing ring

[Download CAD data](#)

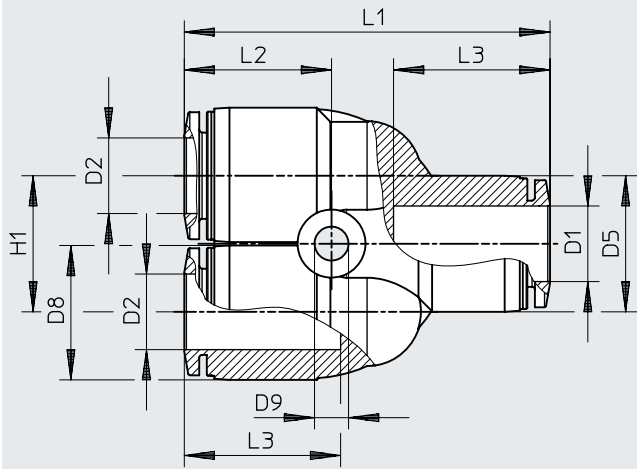


	D1	D2	D5 ∅	H1	L1	L2	L4	L5	≡C
QSY-G1/8-4	G1/8	4	10	10,3	37,5	4,2	14,9	1,9	13
QSY-G1/8-6		6	12,5	12,5	40,4	4,2	17	1,9	13
QSY-G1/8-8		8	14,5	14,5	44,2	4,2	18,1	1,9	13
QSY-G1/4-6	G1/4	6	12,5	12,5	45	4,8	17	1,9	17
QSY-G1/4-8		8	14,5	14,5	46	4,8	18,1	1,9	17
QSY-G1/4-10		10	17,5	17,5	50,3	4,8	20,2	1,9	17
QSY-G3/8-8	G3/8	8	14,5	14,5	48,7	5,8	18,1	2,4	19
QSY-G3/8-10		10	17,5	17,5	52,9	5,8	20,2	2,4	19
QSY-G3/8-12		12	21	21	56,8	5,8	23,4	2,4	19
QSY-G1/2-12	G1/2	12	21	21	60,4	6,8	23,4	2,4	24

## Dimensions

Dimensions – Push-in Y-connector QSY

[Download CAD data](#)

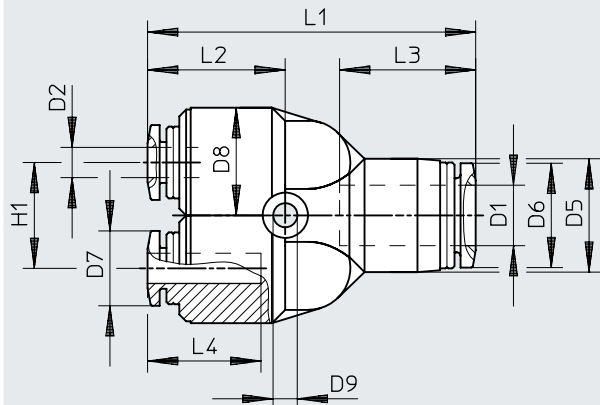


	D1	D2	D5 ø	D8 ø	D9 ø	H1	L1	L2	L3
QSY-4	4	4	10	10	3,2	11	32,8	14,1	14,9
QSY-4-100									
QSY-6	6	6	13	12,5	3,4	12	37,7	15,8	17
QSY-6-100									
QSY-8	8	8	15	14,5	3,4	14	42,4	17,2	18,1
QSY-8-50									
QSY-10	10	10	17,5	17,5	4,2	18	48,4	19,5	20,7
QSY-10-20									
QSY-12	12	12	21	21	4,2	20	54,9	22,3	23,4
QSY-12-20									
QSY-16	16	16	25	25	4,5	24	62,2	22,1	24,1

## Dimensions

Dimensions – Push-in Y-connector QSY, reducing

[Download CAD data](#)

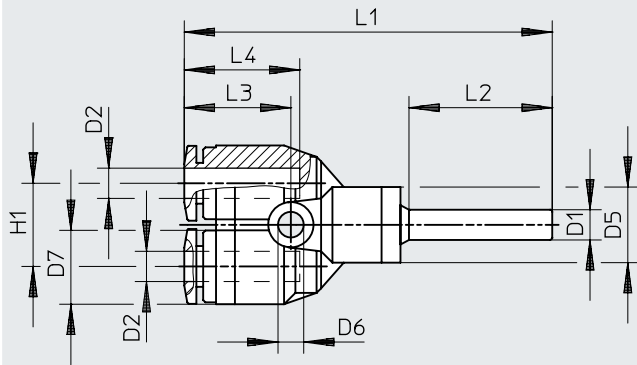


	D1	D2	D5 ∅	D6 ∅	D7 ∅	D8 ∅	D9 ∅	H1	L1	L2	L3	L4
QSY-6-4	6	4	13	11,8	9,9	12,5	3,4	12	37,2	15,2	17	14,9
QSY-6-4-100												
QSY-8-4	8	4	14,5	13,8	9,9	12,5	3,4	14	41,9	16,7	18,1	14,9
QSY-8-6		6	14,5	13,8	11,8	12,5	3,4	14	42,5	17,3	18,1	17
QSY-8-6-50												
QSY-10-6	10	6	17,5	16,8	11,8	14,5	4,5	18	48,2	19,3	20,2	17
QSY-10-8		8	17,5	16,8	13,8	14,5	4,5	18	48,1	19,2	20,2	18,1
QSY-10-8-20												
QSY-12-8	12	8	21	19,8	13,8	17,5	4,5	20	54,3	21,7	23,4	18,1
QSY-12-10		10	21	19,8	16,8	17,5	4,5	20	54,6	22	23,4	20,2
QSY-12-10-20												
QSY-16-12	16	12	25	23	19,8	25	4,5	24	62,3	22,2	24,1	23,4

## Dimensions

Dimensions – Push-in Y-fitting QSY-...H with push-in sleeve

[Download CAD data](#)

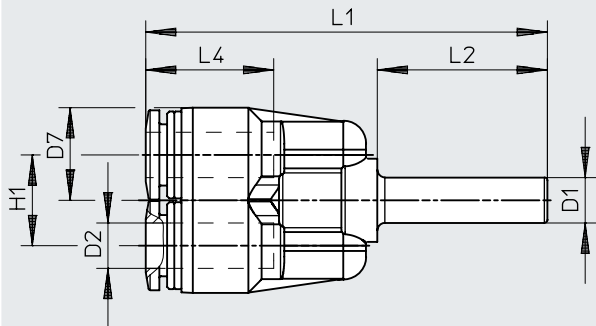


	D1	D2	D5 ∅	D6 ∅	D7 ∅	H1	L1	L2	L3	L4
QSY-4H	QS-4	4	10	3,2	10	11	48,7	19	14,1	14,9
QSY-6H-4	QS-6	4	10	3,2	10	11	50,9	22	14,1	14,9

## Dimensions

Dimensions – Push-in Y-connector QSY-...H-B with push-in sleeve

[Download CAD data](#)

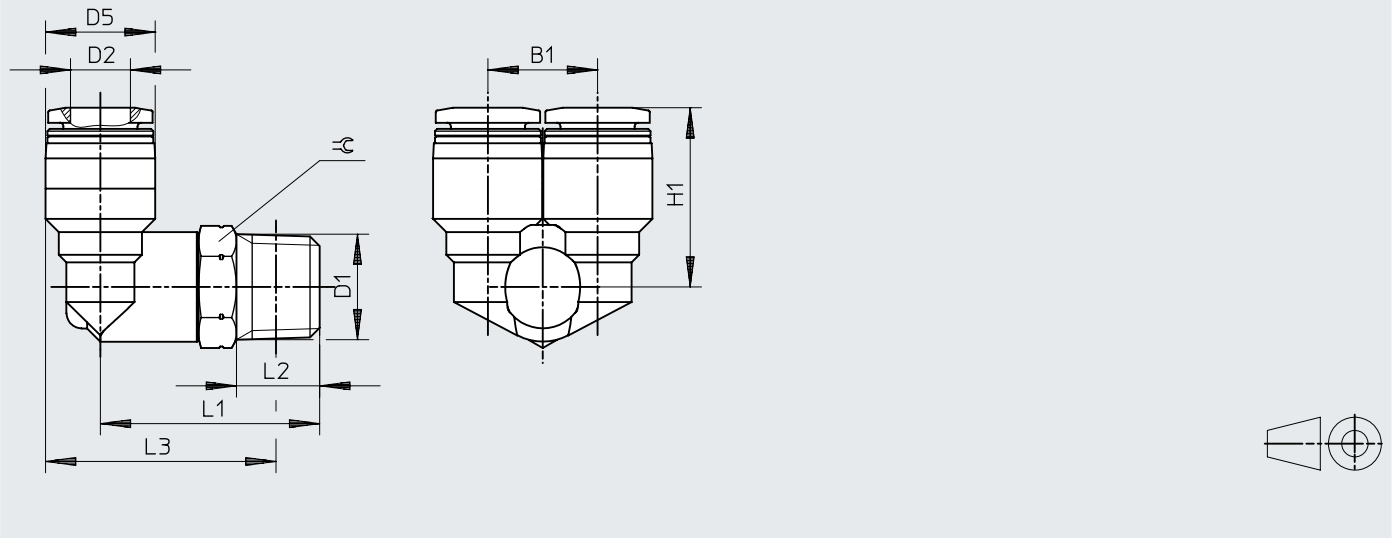


	D1	D2	D7 ∅	H1	L1	L2	L4
QSY-6H-B	QS-6	6	12,5	12	53,2	22,5	17
QSY-8H-B	QS-8	8	14,5	14	56,1	23,5	18,1
QSY-10H-B	QS-10	10	17,5	18	63,2	25	20,2
QSY-12H-B	QS-12	12	21	20	71,3	29	23,4
QSY-8H-6-B	QS-8	6	12,5	12	54,2	23,5	17
QSY-10H-8-B	QS-10	8	14,5	14	57,6	25	18,1
QSY-12H-10-B	QS-12	10	17,5	18	67,2	29	20,2

## Dimensions

Dimensions – Push-in Y-fitting QSYL, R thread

[Download CAD data](#)

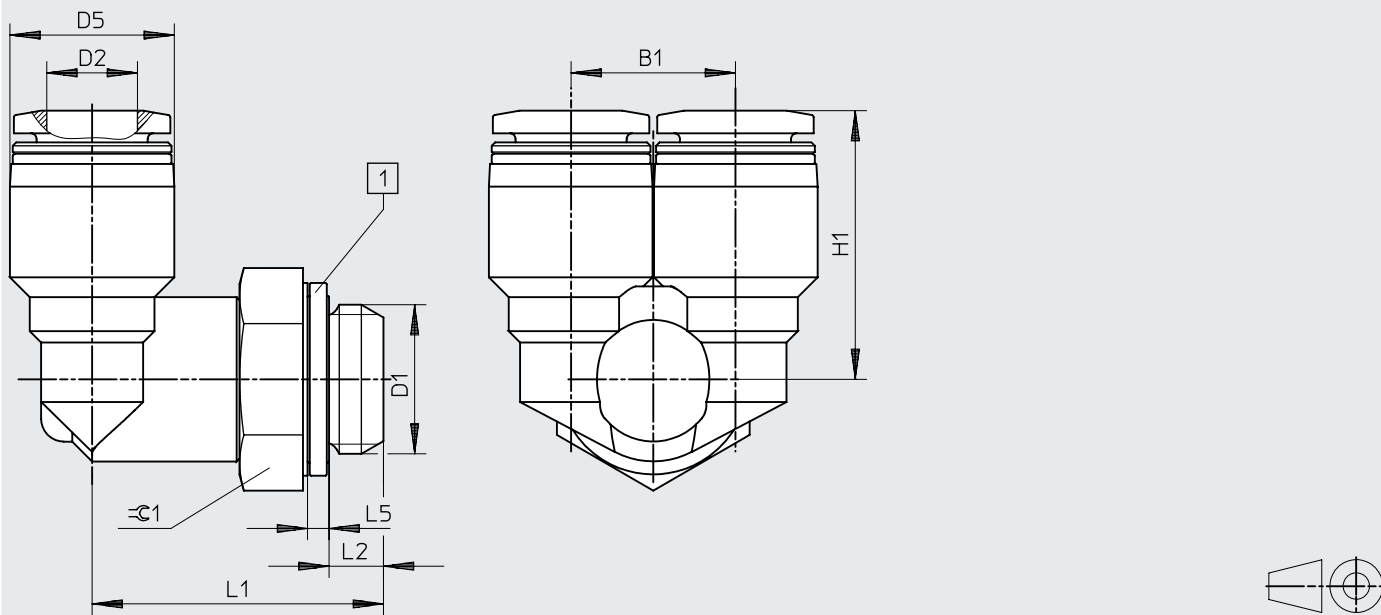


	D1	D2	B1	D5 ∅	H1	L1	L2	L3	⊖
QSYL-1/8-4	R1/8	4	10,3	10	18,2	23	8	24	10
QSYL-1/8-6		6	12,5	12,5	19,8	23,5	8	25,8	10
QSYL-1/8-8		8	14,5	14,5	22,7	25	8	28,3	12
QSYL-1/4-6	R1/4	6	12,5	12,5	21,8	29	11	29,2	14
QSYL-1/4-8		8	14,5	14,5	23,7	29	11	30,2	14
QSYL-1/4-10		10	17,5	17,5	26	29,5	11	32,2	14
QSYL-3/8-8	R3/8	8	14,5	14,5	24,7	32	12	32,9	17
QSYL-3/8-10		10	17,5	17,5	27	32,5	12	34,9	17
QSYL-3/8-12		12	21	21	29,2	33,5	12	37,7	17
QSYL-1/2-12	R1/2	12	21	21	30,2	38	15	40,3	21

## Dimensions

### Dimensions – Push-in Y-fitting QSYL, G thread with sealing ring

[Download CAD data](#)



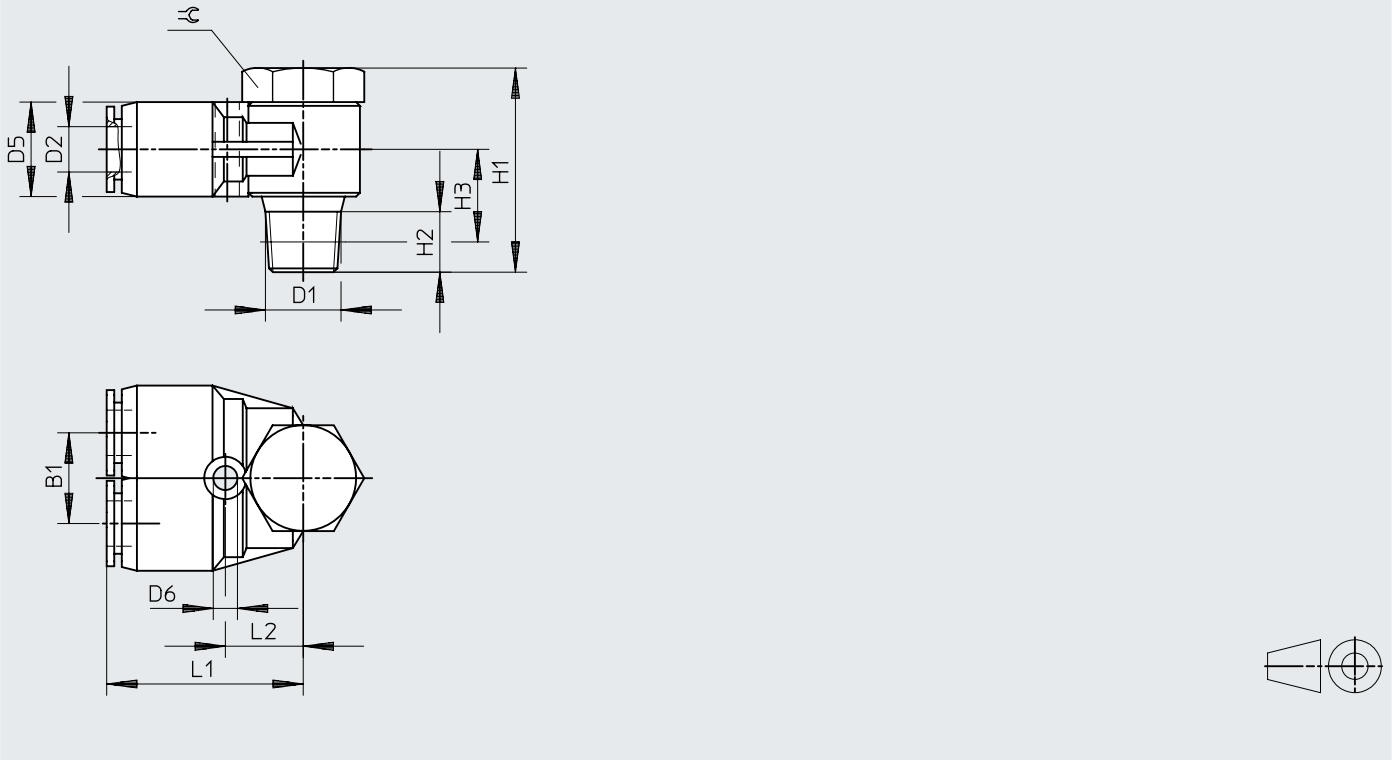
[1] Sealing ring

	D1	D2	B1	D5 ø	H1	L1	L2	L5	⌀
QSYL-G1/8-4	G1/8	4	10,3	10	18,2	22,1	4,2	1,9	13
QSYL-G1/8-6		6	12,5	12,5	19,8	22,6	4,2	1,9	13
QSYL-G1/8-8		8	14,5	14,5	22,7	23,1	4,2	1,9	13
QSYL-G1/4-6	G1/4	6	12,5	12,5	21,8	25,7	4,8	1,9	17
QSYL-G1/4-8		8	14,5	14,5	23,7	25,7	4,8	1,9	17
QSYL-G1/4-10		10	17,5	17,5	26	26,2	4,8	1,9	17
QSYL-G3/8-8	G3/8	8	14,5	14,5	24,7	28,2	5,8	2,4	19
QSYL-G3/8-10		10	17,5	17,5	27	28,7	5,8	2,4	19
QSYL-G3/8-12		12	21	21	29,2	29,7	5,8	2,4	19
QSYL-G1/2-12	G1/2	12	21	21	30,2	33,7	6,8	2,4	24

## Dimensions

### Dimensions – Push-in Y-fitting QSYLV, R thread

[Download CAD data](#)

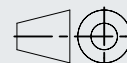
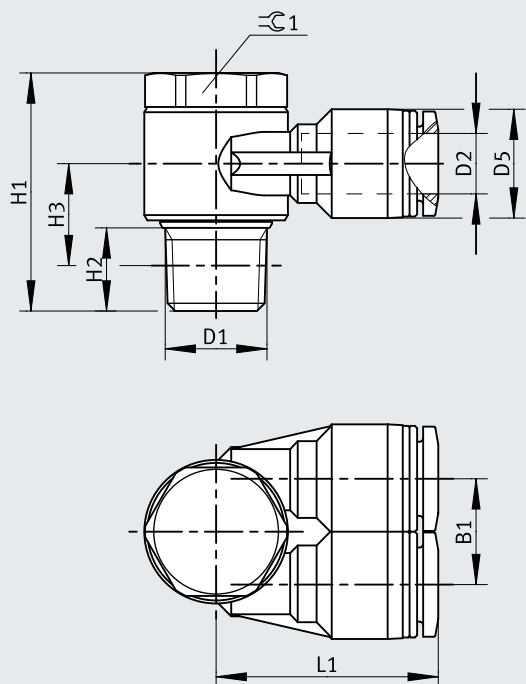


	D1	D2	B1	D5 ∅	D6 ∅	H1	H2	H3	L1	L2	≈C
QSYLV-1/8-6	R1/8	6	12	12,5	3,2	27	8	11	26	10,5	14
QSYLV-1/4-8	R1/4	8	14	14,5	3,2	31,5	11	12,5	29	12,5	17
QSYLV-3/8-10	R3/8	10	17	17,5	4,2	36	12	14,5	33,5	15	21
QSYLV-1/2-12	R1/2	12	20	21	4,2	40	15	17,5	37,5	17	24

## Dimensions

### Dimensions – Push-in Y-fitting QSYLV, G thread with sealing ring


[Download CAD data](#)




	D1	D2	B1	D5 ∅	D6 ∅	H1	H2	H3	L1	L2	≅
QSYLV-G1/8-6	G1/8	6	12	12,4	3,2	26,2	5,1	15,2	27,5	12	17
QSYLV-G1/4-8	G1/4	8	14	14,4	3,2	28,4	5,6	16,4	30,9	14	19
QSYLV-G3/8-10	G3/8	10	17	17,6	4,2	33,4	6,6	19,4	34	15,5	21
QSYLV-G1/2-12	G1/2	12	20	21	4,2	37,4	7,6	21,9	38,9	18,5	27

Ordering data


Ordering data – Push-in fitting QS, R thread


	Pneumatic connection, port 1	Pneumatic connection, port 2	Nominal size	Size of pack	Part no.	Type	
	Male thread R1/8	For tubing outside diameter of 4 mm	3 mm	10	153001	QS-1/8-4	
				100	130674	QS-1/8-4-100	
		For tubing outside diameter of 6 mm	5 mm	10	153002	QS-1/8-6	
				100	130675	QS-1/8-6-100	
		For tubing outside diameter of 8 mm	6 mm	10	153004	QS-1/8-8	
				50	130676	QS-1/8-8-50	
		For tubing outside diameter of 10 mm	6 mm	10	190643	QS-1/8-10	
		Male thread R1/4		For tubing outside diameter of 4 mm	3 mm	10	190644
		For tubing outside diameter of 6 mm	5 mm	5 mm	100	153003	QS-1/4-6
					100	130677	QS-1/4-6-100
		For tubing outside diameter of 8 mm	7 mm	10	153005	QS-1/4-8	
				50	130678	QS-1/4-8-50	
	For tubing outside diameter of 10 mm	8.5 mm	10	153007	QS-1/4-10		
			50	130679	QS-1/4-10-50		
	For tubing outer diameter of 12 mm	8.5 mm	10	164980	QS-1/4-12		
			20	130680	QS-1/4-12-20		
	Male thread R3/8	For tubing outside diameter of 6 mm	5 mm	10	190645	QS-3/8-6	
				50	130681	QS-3/8-8-50	
		For tubing outside diameter of 8 mm	7 mm	10	153008	QS-3/8-10	
				50	130682	QS-3/8-10-50	
		For tubing outer diameter of 12 mm	11 mm	10	153009	QS-3/8-12	
				20	130683	QS-3/8-12-20	
	For tubing outside diameter of 16 mm	11 mm	1	164957	QS-3/8-16		
	Male thread R1/2	For tubing outside diameter of 10 mm	9 mm	50	190646	QS-1/2-10	
50				133189	QS-1/2-10-50		
For tubing outer diameter of 12 mm		11 mm	1	153010	QS-1/2-12		
			20	130684	QS-1/2-12-20		
For tubing outside diameter of 16 mm	13 mm	1	153011	QS-1/2-16			
		20	130685	QS-1/2-16-20			

Ordering data – Push-in fitting QS, G thread with sealing ring


	Pneumatic connection, port 1	Pneumatic connection, port 2	Nominal size	Size of pack	Part no.	Type
	Male thread G1/8	For tubing outside diameter of 4 mm	3 mm	10	186095	QS-G1/8-4


## Ordering data

Ordering data – Push-in fitting QS, G thread with sealing ring						
	Pneumatic connection, port 1	Pneumatic connection, port 2	Nominal size	Size of pack	Part no.	Type
	Male thread G1/8	For tubing outside diameter of 4 mm	3 mm	100	132036	QS-G1/8-4-100
		For tubing outside diameter of 6 mm	5 mm	10	186096	QS-G1/8-6
			6 mm	100	132037	QS-G1/8-6-100
		For tubing outside diameter of 8 mm	6 mm	10	186098	QS-G1/8-8
	8 mm		50	132038	QS-G1/8-8-50	
	Male thread G1/4	For tubing outside diameter of 6 mm	5 mm	10	186097	QS-G1/4-6
			100	132039	QS-G1/4-6-100	
		For tubing outside diameter of 8 mm	7 mm	10	186099	QS-G1/4-8
			8 mm	50	132040	QS-G1/4-8-50
		For tubing outside diameter of 10 mm	8.5 mm	10	186101	QS-G1/4-10
			10 mm	50	132041	QS-G1/4-10-50
		For tubing outer diameter of 12 mm	10 mm	10	186350	QS-G1/4-12
			12 mm	20	132042	QS-G1/4-12-20
	Male thread G3/8	For tubing outside diameter of 8 mm	7 mm	10	186100	QS-G3/8-8
			50	132043	QS-G3/8-8-50	
		For tubing outside diameter of 10 mm	9 mm	10	186102	QS-G3/8-10
			10 mm	50	132044	QS-G3/8-10-50
		For tubing outer diameter of 12 mm	11 mm	10	186103	QS-G3/8-12
			12 mm	20	132045	QS-G3/8-12-20
		For tubing outside diameter of 16 mm	11 mm	1	186347	QS-G3/8-16
16 mm				186104	QS-G1/2-12	
Male thread G1/2	For tubing outer diameter of 12 mm	12 mm	20	132046	QS-G1/2-12-20	
		For tubing outside diameter of 16 mm	13 mm	1	186105	QS-G1/2-16
	16 mm		20	132047	QS-G1/2-16-20	
Male thread G3/4	For tubing outside diameter of 22 mm	20 mm	1	8040613	QS-G3/4-22	


Ordering data – Push-in fitting QS-...-I, R thread						
	Pneumatic connection, port 1	Pneumatic connection, port 2	Nominal size	Size of pack	Part no.	Type
	Male thread R1/8	For tubing outside diameter of 4 mm	2.6 mm	10	153012	QS-1/8-4-I
			100	133191	QS-1/8-4-I-100	
		For tubing outside diameter of 6 mm	4.2 mm	10	153013	QS-1/8-6-I
			6 mm	100	133186	QS-1/8-6-I-100
		For tubing outside diameter of 8 mm	5.3 mm	10	153015	QS-1/8-8-I
	8 mm		50	133187	QS-1/8-8-I-50	
	For tubing outside diameter of 10 mm	10 mm	10	190647	QS-1/8-10-I	
		Male thread R1/4	For tubing outside diameter of 6 mm	4.2 mm		153014


## Ordering data


Ordering data – Push-in fitting QS-...-I, R thread						
	Pneumatic connection, port 1	Pneumatic connection, port 2	Nominal size	Size of pack	Part no.	Type
	Male thread R1/4	For tubing outside diameter of 6 mm	4.2 mm	100	<b>133193</b>	<b>QS-1/4-6-I-100</b>
		For tubing outside diameter of 8 mm	6.3 mm	10	<b>153016</b>	<b>QS-1/4-8-I</b>
				50	<b>133190</b>	<b>QS-1/4-8-I-50</b>
		For tubing outside diameter of 10 mm	6.3 mm	10	<b>153018</b>	<b>QS-1/4-10-I</b>
	50			<b>133188</b>	<b>QS-1/4-10-I-50</b>	
	Male thread R3/8	For tubing outside diameter of 8 mm	8.4 mm	10	<b>190649</b>	<b>QS-1/4-12-I</b>
		For tubing outside diameter of 10 mm			<b>153017</b>	<b>QS-3/8-8-I</b>
					<b>153019</b>	<b>QS-3/8-10-I</b>
	Male thread R1/2	For tubing outside diameter of 10 mm	6.3 mm	1	<b>190648</b>	<b>QS-1/2-10-I</b>
		For tubing outside diameter of 12 mm	8.4 mm		<b>153021</b>	<b>QS-1/2-12-I</b>

Ordering data – Push-in fitting QS-...-I, G thread with sealing ring						
	Pneumatic connection, port 1	Pneumatic connection, port 2	Nominal size	Size of pack	Part no.	Type
	Male thread G1/8	For tubing outside diameter of 4 mm	2.6 mm	10	<b>186106</b>	<b>QS-G1/8-4-I</b>
				100	<b>133008</b>	<b>QS-G1/8-4-I-100</b>
		For tubing outside diameter of 6 mm	4.2 mm	10	<b>186107</b>	<b>QS-G1/8-6-I</b>
				100	<b>133009</b>	<b>QS-G1/8-6-I-100</b>
		For tubing outside diameter of 8 mm	5.3 mm	10	<b>186109</b>	<b>QS-G1/8-8-I</b>
				100	<b>133010</b>	<b>QS-G1/8-8-I-100</b>
		For tubing outside diameter of 10 mm	5.3 mm	10	<b>132999</b>	<b>QS-G1/8-10-I</b>
				100	<b>133000</b>	<b>QS-G1/8-10-I-100</b>
	Male thread G1/4	For tubing outside diameter of 6 mm	4.2 mm	10	<b>186108</b>	<b>QS-G1/4-6-I</b>
		For tubing outside diameter of 8 mm	6.3 mm		<b>186110</b>	<b>QS-G1/4-8-I</b>
		For tubing outside diameter of 10 mm	7.3 mm		<b>186112</b>	<b>QS-G1/4-10-I</b>
	Male thread G3/8	For tubing outside diameter of 8 mm	6.3 mm	10	<b>186111</b>	<b>QS-G3/8-8-I</b>
		For tubing outside diameter of 10 mm	7.3 mm		<b>186113</b>	<b>QS-G3/8-10-I</b>

## Ordering data


Ordering data – Push-in fitting QS-...-I, G thread with sealing ring						
	Pneumatic connection, port 1	Pneumatic connection, port 2	Nominal size	Size of pack	Part no.	Type
	Male thread G3/8	For tubing outer diameter of 12 mm	8.4 mm	10	186114	QS-G3/8-12-I
	Male thread G1/2			1	186115	QS-G1/2-12-I

Ordering data – Push-in fitting QSF, G-thread							
	Pneumatic connection, port 1	Pneumatic connection, port 2	Nominal size	Size of pack	Part no.	Type	
	Female thread G1/8	For tubing outside diameter of 4 mm	3 mm	10	153022	QSF-1/8-4-B	
				100	130709	QSF-1/8-4-B-100	
		For tubing outside diameter of 6 mm	5 mm	10	153023	QSF-1/8-6-B	
				100	130710	QSF-1/8-6-B-100	
		For tubing outside diameter of 8 mm	7 mm	10	153025	QSF-1/8-8-B	
				50	130711	QSF-1/8-8-B-50	
	Female thread G1/4	For tubing outside diameter of 4 mm	3 mm	10		190650	QSF-1/4-4-B
						153024	QSF-1/4-6-B
		For tubing outside diameter of 6 mm	5 mm	100		130712	QSF-1/4-6-B-100
						153026	QSF-1/4-8-B
		For tubing outside diameter of 8 mm	7 mm	50		130713	QSF-1/4-8-B-50
						153028	QSF-1/4-10-B
	For tubing outside diameter of 10 mm	9 mm	10	50	130714	QSF-1/4-10-B-50	
				10	190651	QSF-1/4-12-B	
	Female thread G3/8	For tubing outside diameter of 6 mm	5 mm	10		190652	QSF-3/8-6-B
						153027	QSF-3/8-8-B
		For tubing outside diameter of 8 mm	7 mm	50		130715	QSF-3/8-8-B-50
						153029	QSF-3/8-10-B
	For tubing outside diameter of 10 mm	9 mm	10	50	130716	QSF-3/8-10-B-50	
				10	153030	QSF-3/8-12-B	
Female thread G1/2	For tubing outer diameter of 12 mm	11 mm	10	20	130717	QSF-3/8-12-B-20	
				1	190653	QSF-1/2-12-B	
	For tubing outside diameter of 16 mm	15 mm	1		190654	QSF-1/2-16-B	


Ordering data – Push-in connector QS						
	Pneumatic connection, port 1	Pneumatic connection, port 2	Nominal size	Size of pack	Part no.	Type
	For tubing outer diameter of 4 mm	For tubing outside diameter of 4 mm	2.8 mm	10	153031	QS-4

## Ordering data


### Ordering data – Push-in connector QS

	Pneumatic connection, port 1	Pneumatic connection, port 2	Nominal size	Size of pack	Part no.	Type
	For tubing outer diameter of 4 mm	For tubing outside diameter of 4 mm	2.8 mm	100	<b>130686</b>	<b>QS-4-100</b>
	For tubing outside diameter of 6 mm	For tubing outside diameter of 6 mm	4.3 mm	10	<b>153032</b>	<b>QS-6</b>
				100	<b>130687</b>	<b>QS-6-100</b>
	For tubing outer diameter of 8 mm	For tubing outside diameter of 8 mm	7 mm	10	<b>153033</b>	<b>QS-8</b>
				50	<b>130688</b>	<b>QS-8-50</b>
	For tubing outer diameter of 10 mm	For tubing outside diameter of 10 mm	9 mm	10	<b>153034</b>	<b>QS-10</b>
				50	<b>130689</b>	<b>QS-10-50</b>
For tubing outer diameter of 12 mm	For tubing outer diameter of 12 mm	11 mm	10	<b>153035</b>	<b>QS-12</b>	
			20	<b>130690</b>	<b>QS-12-20</b>	
For tubing outer diameter of 16 mm	For tubing outside diameter of 16 mm	13 mm	1	<b>153036</b>	<b>QS-16</b>	
			20	<b>133195</b>	<b>QS-16-20</b>	


### Ordering data – Push-in connector QS, reducing


	Pneumatic connection, port 1	Pneumatic connection, port 2	Nominal size	Size of pack	Part no.	Type
	For tubing outside diameter of 6 mm	For tubing outside diameter of 4 mm	2.8 mm	10	<b>153037</b>	<b>QS-6-4</b>
				100	<b>130691</b>	<b>QS-6-4-100</b>
				10	<b>130606</b>	<b>QS-8-4</b>
	For tubing outer diameter of 8 mm	For tubing outside diameter of 6 mm	4.3 mm	50	<b>153038</b>	<b>QS-8-6</b>
				10	<b>130692</b>	<b>QS-8-6-50</b>
	For tubing outer diameter of 10 mm	For tubing outside diameter of 8 mm	6.5 mm	10	<b>130607</b>	<b>QS-10-6</b>
				50	<b>130693</b>	<b>QS-10-8-50</b>
	For tubing outer diameter of 12 mm	For tubing outside diameter of 10 mm	6.2 mm	10	<b>130608</b>	<b>QS-12-8</b>
			9 mm	10	<b>153040</b>	<b>QS-12-10</b>
				20	<b>130694</b>	<b>QS-12-10-20</b>

### Ordering data – Push-in bulkhead connector QSS

	Pneumatic connection, port 1	Pneumatic connection, port 2	Nominal size	Size of pack	Part no.	Type
	For tubing outer diameter of 4 mm	For tubing outside diameter of 4 mm	3 mm	10	<b>153157</b>	<b>QSS-4</b>
				100	<b>130788</b>	<b>QSS-4-100</b>
	For tubing outside diameter of 6 mm	For tubing outside diameter of 6 mm	5 mm	10	<b>153158</b>	<b>QSS-6</b>
				100	<b>130789</b>	<b>QSS-6-100</b>
	For tubing outer diameter of 8 mm	For tubing outside diameter of 8 mm	7 mm	10	<b>153159</b>	<b>QSS-8</b>
				50	<b>130790</b>	<b>QSS-8-50</b>
	For tubing outer diameter of 10 mm	For tubing outside diameter of 10 mm	9 mm	10	<b>153160</b>	<b>QSS-10</b>
				50	<b>130791</b>	<b>QSS-10-50</b>
	For tubing outer diameter of 12 mm	For tubing outer diameter of 12 mm	11 mm	10	<b>153161</b>	<b>QSS-12</b>
				20	<b>130792</b>	<b>QSS-12-20</b>


## Ordering data

Ordering data – Push-in bulkhead connector QSS-...-F, with fixed collar						
	Pneumatic connection, port 1	Pneumatic connection, port 2	Nominal size	Size of pack	Part no.	Type
	For tubing outer diameter of 4 mm	For tubing outside diameter of 4 mm	2.6 mm	10	193950	QSS-4-F
	For tubing outside diameter of 6 mm	For tubing outside diameter of 6 mm	4 mm		193951	QSS-6-F
	For tubing outer diameter of 8 mm	For tubing outside diameter of 8 mm	5.5 mm		130642	QSS-8-F
	For tubing outer diameter of 10 mm	For tubing outside diameter of 10 mm	6.5 mm		130643	QSS-10-F
	For tubing outer diameter of 12 mm	For tubing outer diameter of 12 mm	7.5 mm		130644	QSS-12-F


Ordering data – Bulkhead push-in fitting QSSF						
	Pneumatic connection, port 1	Pneumatic connection, port 2	Nominal size	Size of pack	Part no.	Type
	Female thread G1/8	For tubing outside diameter of 4 mm	3 mm	10	153162	QSSF-1/8-4-B
		For tubing outside diameter of 6 mm	5 mm		153163	QSSF-1/8-6-B
		For tubing outside diameter of 8 mm	7 mm		153165	QSSF-1/8-8-B
	Female thread G1/4	For tubing outside diameter of 4 mm	3 mm		190655	QSSF-1/4-4-B
		For tubing outside diameter of 6 mm	5 mm		153164	QSSF-1/4-6-B
		For tubing outside diameter of 8 mm	7 mm		153166	QSSF-1/4-8-B
		For tubing outside diameter of 10 mm	9 mm		153168	QSSF-1/4-10-B
	Female thread G3/8	For tubing outside diameter of 6 mm	5 mm		190656	QSSF-3/8-6-B
		For tubing outside diameter of 8 mm	7 mm		153167	QSSF-3/8-8-B
		For tubing outside diameter of 10 mm	9 mm	153169	QSSF-3/8-10-B	
		For tubing outer diameter of 12 mm	11 mm	153170	QSSF-3/8-12-B	
	Female thread G1/2	For tubing outer diameter of 12 mm		153171	QSSF-1/2-12-B	
		For tubing outside diameter of 16 mm	15 mm	190657	QSSF-1/2-16-B	

## Ordering data


### Ordering data – Push-in cap QSC

	Pneumatic connection, port 1	Size of pack	Part no.	Type
	For tubing outer diameter of 4 mm	10	153262	QSC-4
		100	130704	QSC-4-100
	For tubing outside diameter of 6 mm	10	153263	QSC-6
		100	130705	QSC-6-100
	For tubing outer diameter of 8 mm	10	153264	QSC-8
		50	130706	QSC-8-50
	For tubing outer diameter of 10 mm	10	153265	QSC-10
		50	130707	QSC-10-50
	For tubing outer diameter of 12 mm	10	153266	QSC-12
		20	130708	QSC-12-20


### Ordering data – Plug connector QS-...H

	Pneumatic connection, port 1	Pneumatic connection, port 2	Nominal size	Size of pack	Part no.	Type
	Push-in sleeve Ø 6 mm	For tubing outside diameter of 4 mm	2.5 mm	10	153041	QS-6H-4
				100	130695	QS-6H-4-100
	Push-in sleeve Ø 8 mm	For tubing outside diameter of 6 mm	3.8 mm	10	130622	QS-8H-4
				50	130696	QS-8H-6-50
	Push-in sleeve Ø 10 mm	For tubing outside diameter of 8 mm	5.4 mm	10	130623	QS-10H-6
				50	130697	QS-10H-8-50
	Push-in sleeve Ø 12 mm	For tubing outside diameter of 6 mm	5.4 mm	10	132981	QS-12H-6
					130624	QS-12H-8
		For tubing outside diameter of 8 mm	6.3 mm	20	153044	QS-12H-10
					130698	QS-12H-10-20


### Ordering data – Push-in sleeve QSH


	Pneumatic connection, port 1	Pneumatic connection, port 2	Nominal size	Size of pack	Part no.	Type
	Push-in sleeve Ø 4 mm	Push-in sleeve Ø 4 mm	2.5 mm	10	153251	QSH-4
				100	130723	QSH-4-100
	Push-in sleeve Ø 6 mm	Push-in sleeve Ø 6 mm	4 mm	10	153252	QSH-6
				100	130724	QSH-6-100
	Push-in sleeve Ø 8 mm	Push-in sleeve Ø 8 mm	6 mm	10	153253	QSH-8
				50	130725	QSH-8-50
	Push-in sleeve Ø 10 mm	Push-in sleeve Ø 10 mm	7.5 mm	10	153254	QSH-10
				50	130726	QSH-10-50
	Push-in sleeve Ø 12 mm	Push-in sleeve Ø 12 mm	9 mm	10	153255	QSH-12
				20	130727	QSH-12-20
	Push-in sleeve Ø 16 mm	Push-in sleeve Ø 16 mm	11 mm	1	153256	QSH-16


### Ordering data – Push-in sleeve QSH, reducing

	Pneumatic connection, port 1	Pneumatic connection, port 2	Nominal size	Size of pack	Part no.	Type
	Push-in sleeve Ø 6 mm	Push-in sleeve Ø 4 mm	2.3 mm	10	153257	QSH-6-4

## Ordering data


Ordering data – Push-in sleeve QSH, reducing						
	Pneumatic connection, port 1	Pneumatic connection, port 2	Nominal size	Size of pack	Part no.	Type
	Push-in sleeve Ø 6 mm	Push-in sleeve Ø 4 mm	2.3 mm	100	130718	QSH-6-4-100
	Push-in sleeve Ø 8 mm			10	130625	QSH-8-4
	Push-in sleeve Ø 10 mm	Push-in sleeve Ø 6 mm	3.8 mm	50	130719	QSH-8-6-50
				10	130626	QSH-10-6
	Push-in sleeve Ø 12 mm	Push-in sleeve Ø 8 mm	4.9 mm	50	153259	QSH-10-8
				10	130627	QSH-12-8
	Push-in sleeve Ø 16 mm	Push-in sleeve Ø 10 mm	7.1 mm	20	153260	QSH-12-10
				1	130721	QSH-12-10-20
	Push-in sleeve Ø 16 mm	Push-in sleeve Ø 12 mm	7.8 mm	1	153261	QSH-16-12
				20	130722	QSH-16-12-20

Ordering data – Blanking plug QSC...H				
	Pneumatic connection, port 1	Size of pack	Part no.	Type
	Push-in sleeve Ø 4 mm	10	153267	QSC-4H
		100	130699	QSC-4H-100
	Push-in sleeve Ø 6 mm	10	153268	QSC-6H
		100	130700	QSC-6H-100
	Push-in sleeve Ø 8 mm	10	153269	QSC-8H
		50	130701	QSC-8H-50
	Push-in sleeve Ø 10 mm	10	153270	QSC-10H
		50	130702	QSC-10H-50
	Push-in sleeve Ø 12 mm	10	153271	QSC-12H
		20	130703	QSC-12H-20
	Push-in sleeve Ø 16 mm	1	153272	QSC-16H


Ordering data – Push-in L-fitting QSL, R thread						
	Pneumatic connection, port 1	Pneumatic connection, port 2	Nominal size	Size of pack	Part no.	Type
	Male thread R1/8	For tubing outside diameter of 4 mm	2.8 mm	10	153045	QSL-1/8-4
				100	130728	QSL-1/8-4-100
		For tubing outside diameter of 6 mm	4.2 mm	10	153046	QSL-1/8-6
				100	130729	QSL-1/8-6-100
		For tubing outside diameter of 8 mm	6 mm	10	153048	QSL-1/8-8
				50	130730	QSL-1/8-8-50
		For tubing outside diameter of 10 mm		10	190658	QSL-1/8-10
					190659	QSL-1/4-4
	Male thread R1/4	For tubing outside diameter of 4 mm	2.8 mm		153047	QSL-1/4-6
				100	130731	QSL-1/4-6-100
		For tubing outside diameter of 6 mm	4.3 mm	10	153049	QSL-1/4-8
				50	130732	QSL-1/4-8-50
		For tubing outside diameter of 8 mm	6.7 mm	10	153051	QSL-1/4-10
				50	130733	QSL-1/4-10-50
For tubing outer diameter of 12 mm	8 mm	10	164981	QSL-1/4-12		

## Ordering data


### Ordering data – Push-in L-fitting QSL, R thread


	Pneumatic connection, port 1	Pneumatic connection, port 2	Nominal size	Size of pack	Part no.	Type
	Male thread R1/4	For tubing outer diameter of 12 mm	8 mm	20	<b>130734</b>	<b>QSL-1/4-12-20</b>
	Male thread R3/8	For tubing outside diameter of 6 mm	4.3 mm	10	<b>190660</b>	<b>QSL-3/8-6</b>
				50	<b>153050</b>	<b>QSL-3/8-8</b>
		For tubing outside diameter of 8 mm	6.7 mm	10	<b>130735</b>	<b>QSL-3/8-8-50</b>
				20	<b>153052</b>	<b>QSL-3/8-10</b>
		For tubing outside diameter of 10 mm	8.3 mm	10	<b>130736</b>	<b>QSL-3/8-10-20</b>
				20	<b>153053</b>	<b>QSL-3/8-12</b>
	For tubing outer diameter of 12 mm	10 mm	10	<b>130737</b>	<b>QSL-3/8-12-20</b>	
			20	<b>164958</b>	<b>QSL-3/8-16</b>	
	Male thread R1/2	For tubing outside diameter of 10 mm	8.3 mm	1	<b>190661</b>	<b>QSL-1/2-10</b>
				20	<b>153054</b>	<b>QSL-1/2-12</b>
		For tubing outer diameter of 12 mm	10.3 mm	1	<b>130738</b>	<b>QSL-1/2-12-20</b>
				20	<b>133192</b>	<b>QSL-1/2-10-50</b>
		For tubing outside diameter of 16 mm	8.3 mm	1	<b>153055</b>	<b>QSL-1/2-16</b>
	20			<b>130739</b>	<b>QSL-1/2-16-20</b>	

### Ordering data – Push-in L-fitting QSL, G thread with sealing ring


	Pneumatic connection, port 1	Pneumatic connection, port 2	Nominal size	Size of pack	Part no.	Type
	Male thread G1/8	For tubing outside diameter of 4 mm	2.8 mm	10	<b>186116</b>	<b>QSL-G1/8-4</b>
				100	<b>132048</b>	<b>QSL-G1/8-4-100</b>
		For tubing outside diameter of 6 mm	4.2 mm	10	<b>186117</b>	<b>QSL-G1/8-6</b>
				100	<b>132049</b>	<b>QSL-G1/8-6-100</b>
		For tubing outside diameter of 8 mm	6 mm	10	<b>186119</b>	<b>QSL-G1/8-8</b>
				50	<b>132050</b>	<b>QSL-G1/8-8-50</b>
	Male thread G1/4	For tubing outside diameter of 6 mm	4.3 mm	10	<b>186118</b>	<b>QSL-G1/4-6</b>
				100	<b>132051</b>	<b>QSL-G1/4-6-100</b>
		For tubing outside diameter of 8 mm	6.7 mm	10	<b>186120</b>	<b>QSL-G1/4-8</b>
				50	<b>132052</b>	<b>QSL-G1/4-8-50</b>
		For tubing outside diameter of 10 mm	8 mm	10	<b>186122</b>	<b>QSL-G1/4-10</b>
				50	<b>132053</b>	<b>QSL-G1/4-10-50</b>
		For tubing outer diameter of 12 mm	10 mm	10	<b>186351</b>	<b>QSL-G1/4-12</b>
				20	<b>132054</b>	<b>QSL-G1/4-12-20</b>
	Male thread G3/8	For tubing outside diameter of 8 mm	6.7 mm	10	<b>186121</b>	<b>QSL-G3/8-8</b>
50				<b>132055</b>	<b>QSL-G3/8-8-50</b>	
For tubing outside diameter of 10 mm		8.3 mm	10	<b>186123</b>	<b>QSL-G3/8-10</b>	
			20	<b>132056</b>	<b>QSL-G3/8-10-20</b>	
For tubing outer diameter of 12 mm	10 mm	10	<b>186124</b>	<b>QSL-G3/8-12</b>		


## Ordering data

Ordering data – Push-in L-fitting QSL, G thread with sealing ring						
	Pneumatic connection, port 1	Pneumatic connection, port 2	Nominal size	Size of pack	Part no.	Type
	Male thread G3/8	For tubing outer diameter of 12 mm	10 mm	20	<b>132057</b>	<b>QSL-G3/8-12-20</b>
		For tubing outside diameter of 16 mm	11 mm	1	<b>186348</b>	<b>QSL-G3/8-16</b>
	Male thread G1/2	For tubing outer diameter of 12 mm	10.3 mm	20	<b>186125</b>	<b>QSL-G1/2-12</b>
			13 mm	1	<b>132058</b>	<b>QSL-G1/2-12-20</b>
		For tubing outside diameter of 16 mm	1	1	<b>186126</b>	<b>QSL-G1/2-16</b>
			20	20	<b>132059</b>	<b>QSL-G1/2-16-20</b>


Ordering data – Push-in L-fitting, long QSLL, R thread						
	Pneumatic connection, port 1	Pneumatic connection, port 2	Nominal size	Size of pack	Part no.	Type
	Male thread R1/8	For tubing outside diameter of 4 mm	2.8 mm	10	<b>153076</b>	<b>QSLL-1/8-4</b>
		For tubing outside diameter of 6 mm	4.3 mm		<b>153077</b>	<b>QSLL-1/8-6</b>
		For tubing outside diameter of 8 mm	6 mm		<b>153079</b>	<b>QSLL-1/8-8</b>
	Male thread R1/4	For tubing outside diameter of 4 mm	2.8 mm	10	<b>190662</b>	<b>QSLL-1/4-4</b>
			4.3 mm		<b>153078</b>	<b>QSLL-1/4-6</b>
		For tubing outside diameter of 8 mm	6.7 mm		<b>153080</b>	<b>QSLL-1/4-8</b>
			8 mm		8 mm	<b>153082</b>
	Male thread R3/8	For tubing outside diameter of 6 mm	4.3 mm	10	<b>190663</b>	<b>QSLL-3/8-6</b>
			6.7 mm		<b>153081</b>	<b>QSLL-3/8-8</b>
		For tubing outside diameter of 10 mm	8.3 mm		<b>153083</b>	<b>QSLL-3/8-10</b>
			10 mm		10 mm	<b>153084</b>
	Male thread R1/2	For tubing outside diameter of 10 mm	8.3 mm	1	<b>190664</b>	<b>QSLL-1/2-10</b>
		For tubing outer diameter of 12 mm	10.3 mm		<b>153085</b>	<b>QSLL-1/2-12</b>


### Ordering data


Ordering data – Push-in L-fitting, long QSLL, G thread with sealing ring						
	Pneumatic connection, port 1	Pneumatic connection, port 2	Nominal size	Size of pack	Part no.	Type
	Male thread G1/8	For tubing outside diameter of 4 mm	2.8 mm	10	186127	QSLL-G1/8-4
				100	133015	QSLL-G1/8-4-100
		For tubing outside diameter of 6 mm	4.3 mm	10	186128	QSLL-G1/8-6
				100	133016	QSLL-G1/8-6-100
		For tubing outside diameter of 8 mm	6 mm	10	186130	QSLL-G1/8-8
				100	133017	QSLL-G1/8-8-100
	Male thread G1/4	For tubing outside diameter of 6 mm	4.3 mm	10	186129	QSLL-G1/4-6
		For tubing outside diameter of 8 mm	6.7 mm		186131	QSLL-G1/4-8
		For tubing outside diameter of 10 mm	8 mm		186133	QSLL-G1/4-10
		For tubing outer diameter of 12 mm		1	132596	QSLL-G1/4-12
	Male thread G3/8	For tubing outside diameter of 8 mm	6.7 mm	10	186132	QSLL-G3/8-8
		For tubing outside diameter of 10 mm	8.3 mm		186134	QSLL-G3/8-10
		For tubing outer diameter of 12 mm	10 mm		186135	QSLL-G3/8-12
	Male thread G1/2	For tubing outside diameter of 12 mm	10.3 mm	1	186136	QSLL-G1/2-12
		For tubing outside diameter of 16 mm	13 mm		190665	QSLL-G1/2-16

Ordering data – Push-in L-fitting QSLF, G thread						
	Pneumatic connection, port 1	Pneumatic connection, port 2	Nominal size	Size of pack	Part no.	Type
	Female thread G1/8	For tubing outside diameter of 4 mm	2.8 mm	10	153273	QSLF-1/8-4-B
		For tubing outside diameter of 6 mm	4.2 mm		153274	QSLF-1/8-6-B
		For tubing outside diameter of 8 mm	6 mm		153276	QSLF-1/8-8-B
	Female thread G1/4	For tubing outside diameter of 6 mm	4.3 mm	10	153275	QSLF-1/4-6-B
		For tubing outside diameter of 8 mm	6.7 mm		153277	QSLF-1/4-8-B
		For tubing outside diameter of 10 mm	8 mm		153279	QSLF-1/4-10-B
	Female thread G3/8	For tubing outside diameter of 8 mm	6.7 mm	10	153278	QSLF-3/8-8-B
		For tubing outside diameter of 10 mm	8.3 mm		153280	QSLF-3/8-10-B

## Ordering data


Ordering data - Push-in L-fitting QSLV-...-I, R thread						
	Pneumatic connection, port 1	Pneumatic connection, port 2	Nominal size	Size of pack	Part no.	Type
	Male thread R1/8	For tubing outside diameter of 6 mm	3 mm	10	153097	QSLV-1/8-6-I
		For tubing outside diameter of 8 mm	4.2 mm		153099	QSLV-1/8-8-I
	Male thread R1/4	For tubing outside diameter of 6 mm	3.1 mm		153098	QSLV-1/4-6-I
		For tubing outside diameter of 8 mm	4 mm		153100	QSLV-1/4-8-I
		For tubing outside diameter of 10 mm	5.4 mm		153102	QSLV-1/4-10-I
	Male thread R3/8	For tubing outside diameter of 8 mm	4.2 mm		153101	QSLV-3/8-8-I
		For tubing outside diameter of 10 mm	5.4 mm	153103	QSLV-3/8-10-I	
		For tubing outer diameter of 12 mm	6.9 mm	153104	QSLV-3/8-12-I	
	Male thread R1/2		6.4 mm	1	153105	QSLV-1/2-12-I

Ordering data - Push-in L-fitting QSLV-...-I, G thread						
	Pneumatic connection, port 1	Pneumatic connection, port 2	Nominal size	Size of pack	Part no.	Type
	Male thread G1/8	For tubing outside diameter of 6 mm	3 mm	10	186148	QSLV-G1/8-6-I
		For tubing outside diameter of 8 mm	4.2 mm		186150	QSLV-G1/8-8-I
	Male thread G1/4	For tubing outside diameter of 6 mm	3.1 mm		186149	QSLV-G1/4-6-I
		For tubing outside diameter of 8 mm	4 mm		186151	QSLV-G1/4-8-I
		For tubing outside diameter of 10 mm	5.4 mm		186153	QSLV-G1/4-10-I
	Male thread G3/8	For tubing outside diameter of 8 mm	4.2 mm		186152	QSLV-G3/8-8-I
		For tubing outside diameter of 10 mm	5.4 mm	186154	QSLV-G3/8-10-I	
		For tubing outer diameter of 12 mm	6.9 mm	186155	QSLV-G3/8-12-I	
	Male thread G1/2		6.4 mm	1	186156	QSLV-G1/2-12-I


Ordering data - Push-in L-fitting QSLV, metric thread with sealing ring						
	Pneumatic connection, port 1	Pneumatic connection, port 2	Nominal size	Size of pack	Part no.	Type
	Male thread M5	For tubing outside diameter of 6 mm	1.8 mm	10	190666	QSLV-M5-6

## Ordering data


### Ordering data – Push-in L-fitting QSLV, R thread


	Pneumatic connection, port 1	Pneumatic connection, port 2	Nominal size	Size of pack	Part no.	Type
	Male thread R1/8	For tubing outside diameter of 4 mm	2.4 mm	100	<b>130749</b>	<b>QSLV-1/8-4-100</b>
			2.8 mm	10	<b>153086</b>	<b>QSLV-1/8-4</b>
		For tubing outside diameter of 6 mm	3.7 mm	100	<b>130750</b>	<b>QSLV-1/8-6-100</b>
			4.6 mm	10	<b>153087</b>	<b>QSLV-1/8-6</b>
		For tubing outside diameter of 8 mm	4.4 mm	50	<b>130751</b>	<b>QSLV-1/8-8-50</b>
			5.5 mm	10	<b>153089</b>	<b>QSLV-1/8-8</b>
	Male thread R1/4	For tubing outside diameter of 6 mm	3.8 mm	100	<b>130752</b>	<b>QSLV-1/4-6-100</b>
			4.3 mm	10	<b>153088</b>	<b>QSLV-1/4-6</b>
		For tubing outside diameter of 8 mm	5 mm	50	<b>130753</b>	<b>QSLV-1/4-8-50</b>
			6 mm	10	<b>153090</b>	<b>QSLV-1/4-8</b>
		For tubing outside diameter of 10 mm	5.4 mm	50	<b>130754</b>	<b>QSLV-1/4-10-50</b>
			7.1 mm	10	<b>153092</b>	<b>QSLV-1/4-10</b>
	Male thread R3/8	For tubing outside diameter of 8 mm	6 mm	1	<b>153091</b>	<b>QSLV-3/8-8</b>
			8 mm		<b>153093</b>	<b>QSLV-3/8-10</b>
		For tubing outer diameter of 10 mm	9.3 mm		<b>153094</b>	<b>QSLV-3/8-12</b>
Male thread R1/2	For tubing outer diameter of 12 mm	10 mm	<b>153095</b>	<b>QSLV-1/2-12</b>		
		For tubing outside diameter of 16 mm	13 mm	<b>153096</b>	<b>QSLV-1/2-16</b>	


### Ordering data – Push-in L-fitting QSLV, G thread with sealing ring


	Pneumatic connection, port 1	Pneumatic connection, port 2	Nominal size	Size of pack	Part no.	Type
	Male thread G1/8	For tubing outside diameter of 4 mm	3 mm	10	<b>186137</b>	<b>QSLV-G1/8-4</b>
			100	<b>132060</b>	<b>QSLV-G1/8-4-100</b>	
		For tubing outside diameter of 6 mm	4 mm	10	<b>186138</b>	<b>QSLV-G1/8-6</b>
			100	<b>132061</b>	<b>QSLV-G1/8-6-100</b>	
		For tubing outside diameter of 8 mm	5.6 mm	10	<b>186140</b>	<b>QSLV-G1/8-8</b>
				50	<b>132062</b>	<b>QSLV-G1/8-8-50</b>
	Male thread G1/4	For tubing outside diameter of 6 mm	5 mm	10	<b>186139</b>	<b>QSLV-G1/4-6</b>
			100	<b>132063</b>	<b>QSLV-G1/4-6-100</b>	
		For tubing outside diameter of 8 mm	6 mm	10	<b>186141</b>	<b>QSLV-G1/4-8</b>
			50	<b>132064</b>	<b>QSLV-G1/4-8-50</b>	
		For tubing outside diameter of 10 mm	7 mm	10	<b>186143</b>	<b>QSLV-G1/4-10</b>
				50	<b>132065</b>	<b>QSLV-G1/4-10-50</b>
	Male thread G3/8	For tubing outside diameter of 8 mm	6 mm	10	<b>186142</b>	<b>QSLV-G3/8-8</b>
			8 mm		<b>186144</b>	<b>QSLV-G3/8-10</b>
		For tubing outer diameter of 12 mm	8.7 mm		<b>186145</b>	<b>QSLV-G3/8-12</b>

## Ordering data

Ordering data – Push-in L-fitting QSLV, G thread with sealing ring						
	Pneumatic connection, port 1	Pneumatic connection, port 2	Nominal size	Size of pack	Part no.	Type
	Male thread G1/2	For tubing outer diameter of 12 mm	8.7 mm	1	186146	QSLV-G1/2-12
		For tubing outside diameter of 16 mm	13 mm		186147	QSLV-G1/2-16


Ordering data – Push-in L-connector QSL						
	Pneumatic connection, port 1	Pneumatic connection, port 2	Nominal size	Size of pack	Part no.	Type
	For tubing outer diameter of 4 mm	For tubing outside diameter of 4 mm	2.8 mm	10	153070	QSL-4
				100	130740	QSL-4-100
	For tubing outside diameter of 6 mm	For tubing outside diameter of 6 mm	5 mm	10	153071	QSL-6
				100	130741	QSL-6-100
	For tubing outer diameter of 8 mm	For tubing outside diameter of 8 mm	7.2 mm	10	153072	QSL-8
				50	130742	QSL-8-50
	For tubing outer diameter of 10 mm	For tubing outside diameter of 10 mm	8.3 mm	10	153073	QSL-10
				50	130743	QSL-10-50
	For tubing outer diameter of 12 mm	For tubing outer diameter of 12 mm	10 mm	10	153074	QSL-12
				20	130744	QSL-12-20
	For tubing outer diameter of 16 mm	For tubing outside diameter of 16 mm	13 mm	1	153075	QSL-16
				20	133194	QSL-16-20

Ordering data – Push-in L-connector QSL...H with push-in sleeve						
	Pneumatic connection, port 1	Pneumatic connection, port 2	Nominal size	Size of pack	Part no.	Type
	Push-in sleeve Ø 4 mm	For tubing outside diameter of 4 mm	2 mm	10	153056	QSL-4H
				100	130745	QSL-4H-100
	Push-in sleeve Ø 6 mm	For tubing outside diameter of 6 mm	3.2 mm	10	153057	QSL-6H
				100	130746	QSL-6H-100
	Push-in sleeve Ø 8 mm	For tubing outside diameter of 8 mm	4.7 mm	10	153058	QSL-8H
				50	130747	QSL-8H-50
	Push-in sleeve Ø 10 mm	For tubing outside diameter of 10 mm	5.7 mm	10	153059	QSL-10H
				50	130748	QSL-10H-50
	Push-in sleeve Ø 12 mm	For tubing outer diameter of 12 mm	6.8 mm	10	153060	QSL-12H


Ordering data – Push-in L-connector QSL...H with push-in sleeve, reducing						
	Pneumatic connection, port 1	Pneumatic connection, port 2	Nominal size	Size of pack	Part no.	Type
	Push-in sleeve Ø 6 mm	For tubing outside diameter of 4 mm	2.4 mm	10	153061	QSL-6H-4
	Push-in sleeve Ø 8 mm	For tubing outside diameter of 6 mm	3.5 mm		153062	QSL-8H-6

## Ordering data


### Ordering data – Push-in L-connector QSL...H with push-in sleeve, reducing

	Pneumatic connection, port 1	Pneumatic connection, port 2	Nominal size	Size of pack	Part no.	Type
	Push-in sleeve Ø 10 mm	For tubing outside diameter of 8 mm	4.9 mm	10	153063	QSL-10H-8
	Push-in sleeve Ø 12 mm	For tubing outside diameter of 10 mm	6.1 mm		153064	QSL-12H-10


### Ordering data – Push-in L-connector QSL...H with long push-in sleeve


	Pneumatic connection, port 1	Pneumatic connection, port 2	Nominal size	Size of pack	Part no.	Type
	Push-in sleeve Ø 4 mm	For tubing outside diameter of 4 mm	2 mm	10	153065	QSL-4HL
	Push-in sleeve Ø 6 mm	For tubing outside diameter of 6 mm	3.1 mm		153066	QSL-6HL
	Push-in sleeve Ø 8 mm	For tubing outside diameter of 8 mm	4.5 mm		153067	QSL-8HL
	Push-in sleeve Ø 10 mm	For tubing outside diameter of 10 mm	5.6 mm		153068	QSL-10HL
	Push-in sleeve Ø 12 mm	For tubing outer diameter of 12 mm	6.7 mm		153069	QSL-12HL

### Ordering data – Push-in T-fitting QST, R thread

	Pneumatic connection, port 1	Pneumatic connection, port 2	Nominal size	Size of pack	Part no.	Type
	Male thread R1/8	For tubing outside diameter of 4 mm	2.8 mm	10	153106	QST-1/8-4
				100	130793	QST-1/8-4-100
		For tubing outside diameter of 6 mm	4.2 mm	10	153107	QST-1/8-6
				100	130794	QST-1/8-6-100
	For tubing outside diameter of 8 mm	6 mm	6 mm	10	153109	QST-1/8-8
				50	130795	QST-1/8-8-50
	Male thread R1/4	For tubing outside diameter of 4 mm	2.8 mm	10	190667	QST-1/8-10
					190668	QST-1/4-4
		For tubing outside diameter of 6 mm	4.3 mm	100	153108	QST-1/4-6
					130796	QST-1/4-6-100
		For tubing outside diameter of 8 mm	6.7 mm	10	153110	QST-1/4-8
					50	130797
	For tubing outside diameter of 10 mm	8 mm	10	153112	QST-1/4-10	
50				130798	QST-1/4-10-50	
Male thread R3/8	For tubing outer diameter of 12 mm	10	190669	QST-1/4-12		
			190670	QST-3/8-6		


## Ordering data

Ordering data – Push-in T-fitting QST, R thread							
	Pneumatic connection, port 1	Pneumatic connection, port 2	Nominal size	Size of pack	Part no.	Type	
	Male thread R3/8	For tubing outside diameter of 8 mm	6.7 mm	10	153111	QST-3/8-8	
				50	130799	QST-3/8-8-50	
		For tubing outside diameter of 10 mm	8.3 mm	10	153113	QST-3/8-10	
				20	130800	QST-3/8-10-20	
		For tubing outer diameter of 12 mm	10 mm	10	153114	QST-3/8-12	
				20	130801	QST-3/8-12-20	
	Male thread R1/2	For tubing outside diameter of 10 mm	8.3 mm	1		164959	QST-3/8-16
						190672	QST-1/2-10
						153115	QST-1/2-12
		For tubing outer diameter of 12 mm	10.3 mm			153116	QST-1/2-16
For tubing outside diameter of 16 mm	13 mm						


Ordering data – Push-in T-fitting QST, G thread with sealing ring						
	Pneumatic connection, port 1	Pneumatic connection, port 2	Nominal size	Size of pack	Part no.	Type
	Male thread G1/8	For tubing outside diameter of 4 mm	2.8 mm	10	186157	QST-G1/8-4
				100	132066	QST-G1/8-4-100
		For tubing outside diameter of 6 mm	4.2 mm	10	186158	QST-G1/8-6
				100	132067	QST-G1/8-6-100
		For tubing outside diameter of 8 mm	6 mm	10	186160	QST-G1/8-8
				50	132068	QST-G1/8-8-50
	Male thread G1/4	For tubing outside diameter of 6 mm	4.3 mm	10	186159	QST-G1/4-6
				100	132069	QST-G1/4-6-100
		For tubing outside diameter of 8 mm	6.7 mm	10	186161	QST-G1/4-8
				50	132070	QST-G1/4-8-50
		For tubing outside diameter of 10 mm	8 mm	10	186163	QST-G1/4-10
				50	132071	QST-G1/4-10-50
			12 mm	1	132597	QST-G1/4-12
	Male thread G3/8	For tubing outside diameter of 8 mm	6.7 mm	10	186162	QST-G3/8-8
				50	132072	QST-G3/8-8-50
		For tubing outside diameter of 10 mm	8.3 mm	10	186164	QST-G3/8-10
				20	132073	QST-G3/8-10-20
		For tubing outer diameter of 12 mm	10 mm	10	186165	QST-G3/8-12
				20	132074	QST-G3/8-12-20
			16 mm	1	186349	QST-G3/8-16
Male thread G1/2	For tubing outer diameter of 12 mm	10.3 mm			186166	QST-G1/2-12

## Ordering data


### Ordering data – Push-in T-fitting QST, G thread with sealing ring

	Pneumatic connection, port 1	Pneumatic connection, port 2	Nominal size	Size of pack	Part no.	Type
	Male thread G1/2	For tubing outside diameter of 16 mm	13 mm	1	<b>186167</b>	<b>QST-G1/2-16</b>


### Ordering data – Push-in T-connector QST

	Pneumatic connection, port 1	Pneumatic connection, port 2	Nominal size	Size of pack	Part no.	Type
	For tubing outer diameter of 4 mm	For tubing outside diameter of 4 mm	2.8 mm	10	<b>153128</b>	<b>QST-4</b>
				100	<b>130802</b>	<b>QST-4-100</b>
	For tubing outside diameter of 6 mm	For tubing outside diameter of 6 mm	4.8 mm	10	<b>153129</b>	<b>QST-6</b>
				100	<b>130803</b>	<b>QST-6-100</b>
	For tubing outer diameter of 8 mm	For tubing outside diameter of 8 mm	6.2 mm	10	<b>153130</b>	<b>QST-8</b>
				50	<b>130804</b>	<b>QST-8-50</b>
	For tubing outer diameter of 10 mm	For tubing outside diameter of 10 mm	8.1 mm	10	<b>153131</b>	<b>QST-10</b>
				50	<b>130805</b>	<b>QST-10-50</b>
	For tubing outer diameter of 12 mm	For tubing outer diameter of 12 mm	10 mm	10	<b>153132</b>	<b>QST-12</b>
				20	<b>130806</b>	<b>QST-12-20</b>
	For tubing outer diameter of 16 mm	For tubing outside diameter of 16 mm	13 mm	1	<b>153133</b>	<b>QST-16</b>


### Ordering data – Push-in T-connector QST, reducing


	Pneumatic connection, port 1	Pneumatic connection, port 2	Nominal size	Size of pack	Part no.	Type
	For tubing outside diameter of 6 mm	For tubing outside diameter of 4 mm	2.3 mm	10	<b>153134</b>	<b>QST-6-4</b>
				100	<b>130820</b>	<b>QST-6-4-100</b>
	For tubing outer diameter of 8 mm	For tubing outside diameter of 6 mm	3.5 mm	10	<b>130613</b>	<b>QST-8-4</b>
				50	<b>153135</b>	<b>QST-8-6</b>
	For tubing outer diameter of 10 mm	For tubing outside diameter of 6 mm	3.7 mm	10	<b>130614</b>	<b>QST-10-6</b>
				50	<b>153136</b>	<b>QST-10-8</b>
	For tubing outer diameter of 8 mm	For tubing outside diameter of 8 mm	4.9 mm	10	<b>130822</b>	<b>QST-10-8-50</b>
				50	<b>130822</b>	<b>QST-10-8-50</b>
	For tubing outer diameter of 12 mm	For tubing outside diameter of 8 mm	5.1 mm	10	<b>130615</b>	<b>QST-12-8</b>
				20	<b>130823</b>	<b>QST-12-10</b>
	For tubing outer diameter of 10 mm	For tubing outside diameter of 10 mm	6.1 mm	10	<b>153137</b>	<b>QST-12-10</b>
				20	<b>130823</b>	<b>QST-12-10-20</b>
For tubing outer diameter of 16 mm	For tubing outer diameter of 12 mm	7.6 mm	1	<b>130616</b>	<b>QST-16-12</b>	

### Ordering data – Push-in T-fitting QSTF, R thread

	Pneumatic connection, port 1	Pneumatic connection, port 2	Nominal size	Size of pack	Part no.	Type
	Male thread R1/8	Female thread G1/8, For tubing outside diameter of 4 mm	2.8 mm	1	<b>153182</b>	<b>QSTF-1/8-4-B</b>


## Ordering data

Ordering data – Push-in T-fitting QSTF, R thread						
	Pneumatic connection, port 1	Pneumatic connection, port 2	Nominal size	Size of pack	Part no.	Type
	Male thread R1/8	Female thread G1/8, For tubing outside diameter of 6 mm	4.6 mm	1	153183	QSTF-1/8-6-B
		Female thread G1/8, For tubing outside diameter of 8 mm	5.5 mm		153185	QSTF-1/8-8-B
	Male thread R1/4	Female thread G1/4, For tubing outside diameter of 6 mm	4.3 mm		153184	QSTF-1/4-6-B
		Female thread G1/4, For tubing outside diameter of 8 mm	6 mm		153186	QSTF-1/4-8-B
		Female thread G1/4, For tubing outside diameter of 10 mm	7.1 mm		153188	QSTF-1/4-10-B
	Male thread R3/8	Female thread G3/8, For tubing outside diameter of 8 mm	6 mm		153187	QSTF-3/8-8-B
		Female thread G3/8, For tubing outside diameter of 10 mm	8 mm		153189	QSTF-3/8-10-B
		Female thread G3/8, For tubing outer diameter of 12 mm	9.3 mm		153190	QSTF-3/8-12-B
	Male thread R1/2	Female thread G1/2, For tubing outer diameter of 12 mm	10 mm		153191	QSTF-1/2-12-B


Ordering data – Push-in T-fitting QSTF, G thread with sealing ring						
	Pneumatic connection, port 1	Pneumatic connection, port 2	Nominal size	Size of pack	Part no.	Type
	Male thread G1/8	Female thread G1/8, For tubing outside diameter of 4 mm	3 mm	1	186199	QSTF-G1/8-4
		Female thread G1/8, For tubing outside diameter of 6 mm	4 mm		186200	QSTF-G1/8-6
		Female thread 1/8 NPT, For tubing outside diameter of 8 mm	5.6 mm		186202	QSTF-G1/8-8
	Male thread G1/4	Female thread G1/4, For tubing outside diameter of 6 mm	5 mm		186201	QSTF-G1/4-6
		Female thread G1/4, For tubing outside diameter of 8 mm	6 mm		186203	QSTF-G1/4-8

Ordering data


Ordering data – Push-in T-fitting QSTF, G thread with sealing ring


	Pneumatic connection, port 1	Pneumatic connection, port 2	Nominal size	Size of pack	Part no.	Type
	Male thread G1/4	Female thread G1/4, For tubing outside diameter of 10 mm	7 mm	1	186205	QSTF-G1/4-10
	Male thread G3/8	Female thread G3/8, For tubing outside diameter of 8 mm	6 mm		186204	QSTF-G3/8-8
		Female thread G3/8, For tubing outside diameter of 10 mm	8 mm		186206	QSTF-G3/8-10
		Female thread G3/8, For tubing outer diameter of 12 mm	8.7 mm		186207	QSTF-G3/8-12
	Male thread G1/2	Female thread G1/2, For tubing outer diameter of 12 mm			186208	QSTF-G1/2-12

Ordering data – Push-in T-fitting QSTL, R thread

	Pneumatic connection, port 1	Pneumatic connection, port 2	Nominal size	Size of pack	Part no.	Type
	Male thread R1/8	For tubing outside diameter of 4 mm	2.8 mm	10	153117	QSTL-1/8-4
				100	130824	QSTL-1/8-4-100
		For tubing outside diameter of 6 mm	4.3 mm	10	153118	QSTL-1/8-6
				100	130825	QSTL-1/8-6-100
		For tubing outside diameter of 8 mm	6 mm	10	153120	QSTL-1/8-8
				50	130826	QSTL-1/8-8-50
	Male thread R1/4	For tubing outside diameter of 6 mm	4.3 mm	10	153119	QSTL-1/4-6
				100	130827	QSTL-1/4-6-100
		For tubing outside diameter of 8 mm	6.7 mm	10	153121	QSTL-1/4-8
				50	130828	QSTL-1/4-8-50
		For tubing outside diameter of 10 mm	8 mm	10	153123	QSTL-1/4-10
				50	130829	QSTL-1/4-10-50
	Male thread R3/8	For tubing outside diameter of 8 mm	6.7 mm	10	153122	QSTL-3/8-8
For tubing outside diameter of 10 mm					8.3 mm	153124
		For tubing outer diameter of 12 mm	10 mm			153125
Male thread R1/2	For tubing outside diameter of 16 mm	10.3 mm	1	153126	QSTL-1/2-12	
		13 mm		153127	QSTL-1/2-16	


## Ordering data

Ordering data – Push-in T-fitting QSTL, G thread with sealing ring						
	Pneumatic connection, port 1	Pneumatic connection, port 2	Nominal size	Size of pack	Part no.	Type
	Male thread G1/8	For tubing outside diameter of 4 mm	2.8 mm	10	186168	QSTL-G1/8-4
				100	132075	QSTL-G1/8-4-100
		For tubing outside diameter of 6 mm	4.3 mm	10	186169	QSTL-G1/8-6
				100	132076	QSTL-G1/8-6-100
		For tubing outside diameter of 8 mm	6 mm	10	186171	QSTL-G1/8-8
				50	132077	QSTL-G1/8-8-50
	Male thread G1/4	For tubing outside diameter of 6 mm	4.3 mm	10	186170	QSTL-G1/4-6
				100	132078	QSTL-G1/4-6-100
		For tubing outside diameter of 8 mm	6.7 mm	10	186172	QSTL-G1/4-8
				50	132079	QSTL-G1/4-8-50
		For tubing outside diameter of 10 mm	8 mm	10	186174	QSTL-G1/4-10
				50	132080	QSTL-G1/4-10-50
	Male thread G3/8	For tubing outside diameter of 8 mm	6.7 mm	10	186173	QSTL-G3/8-8
					For tubing outside diameter of 10 mm	8.3 mm
For tubing outer diameter of 12 mm		10 mm	186176			
Male thread G1/2	For tubing outside diameter of 16 mm	10.3 mm	1	186177	QSTL-G1/2-12	
		13 mm		186178	QSTL-G1/2-16	


Ordering data – Push-in fitting QSW, R thread						
	Pneumatic connection, port 1	Pneumatic connection, port 2	Nominal size	Size of pack	Part no.	Type
	Male thread R1/8	For tubing outside diameter of 4 mm	2.5 mm	10	130596	QSW-1/8-4
					For tubing outside diameter of 6 mm	130597
		For tubing outside diameter of 8 mm				6 mm
	Male thread R1/4	For tubing outside diameter of 6 mm	3.3 mm	10	130599	QSW-1/4-6
					For tubing outside diameter of 8 mm	130600
		For tubing outside diameter of 10 mm				8 mm
	Male thread R3/8	For tubing outer diameter of 12 mm	8.3 mm	10	130602	QSW-3/8-10
					9.5 mm	130603
	Male thread R1/2	For tubing outside diameter of 16 mm	10.3 mm	1	130604	QSW-1/2-12
			13 mm		130605	QSW-1/2-16

## Ordering data


### Ordering data – Push-in connector QSW-...HL with push-in sleeve

	Pneumatic connection, port 1	Pneumatic connection, port 2	Nominal size	Size of pack	Part no.	Type
	Push-in sleeve Ø 4 mm	For tubing outside diameter of 4 mm	2 mm	10	130617	QSW-4HL
	Push-in sleeve Ø 6 mm	For tubing outside diameter of 6 mm	2.7 mm		130618	QSW-6HL
	Push-in sleeve Ø 8 mm	For tubing outside diameter of 8 mm	5 mm		130619	QSW-8HL
	Push-in sleeve Ø 10 mm	For tubing outside diameter of 10 mm	6.3 mm		130620	QSW-10HL
	Push-in sleeve Ø 12 mm	For tubing outer diameter of 12 mm	6.9 mm		130621	QSW-12HL


### Ordering data – Push-in X-connector QSX

	Pneumatic connection, port 1	Pneumatic connection, port 2	Nominal size	Size of pack	Part no.	Type
	For tubing outer diameter of 8 mm	For tubing outside diameter of 8 mm	4.7 mm	10	153285	QSX-8
	For tubing outer diameter of 10 mm	For tubing outside diameter of 10 mm	6.1 mm		153286	QSX-10
	For tubing outer diameter of 12 mm	For tubing outer diameter of 12 mm	7.5 mm		153287	QSX-12


### Ordering data – Push-in Y-fitting QSY, metric thread with sealing ring


	Pneumatic connection, port 1	Pneumatic connection, port 2	Nominal size	Size of pack	Part no.	Type
	Male thread M5	For tubing outside diameter of 4 mm	2.4 mm	10	190673	QSY-M5-4
		For tubing outside diameter of 6 mm			190674	QSY-M5-6


### Ordering data – Push-in Y-fitting QSY, R thread

	Pneumatic connection, port 1	Pneumatic connection, port 2	Nominal size	Size of pack	Part no.	Type
	Male thread R1/8	For tubing outside diameter of 4 mm	3.1 mm	10	153138	QSY-1/8-4
		For tubing outside diameter of 6 mm	4.2 mm		153139	QSY-1/8-6
		For tubing outside diameter of 8 mm	5.9 mm		153141	QSY-1/8-8
	Male thread R1/4	For tubing outside diameter of 4 mm	3.3 mm		190675	QSY-1/4-4
		For tubing outside diameter of 6 mm	4.8 mm		153140	QSY-1/4-6

## Ordering data


Ordering data – Push-in Y-fitting QSY, R thread						
	Pneumatic connection, port 1	Pneumatic connection, port 2	Nominal size	Size of pack	Part no.	Type
	Male thread R1/4	For tubing outside diameter of 8 mm	6.2 mm	10	153142	QSY-1/4-8
		For tubing outside diameter of 10 mm	7.2 mm		153144	QSY-1/4-10
	Male thread R3/8	For tubing outside diameter of 8 mm	6.6 mm		153143	QSY-3/8-8
		For tubing outside diameter of 10 mm	7.4 mm		153145	QSY-3/8-10
		For tubing outer diameter of 12 mm	8.4 mm		153146	QSY-3/8-12
	Male thread R1/2	For tubing outside diameter of 10 mm	7.8 mm		1	133196
		For tubing outer diameter of 12 mm	8.3 mm	153147		QSY-1/2-12

Ordering data – Push-in Y-fitting QSY, G thread with sealing ring						
	Pneumatic connection, port 1	Pneumatic connection, port 2	Nominal size	Size of pack	Part no.	Type
	Male thread G1/8	For tubing outside diameter of 4 mm	3.1 mm	10	186179	QSY-G1/8-4
		For tubing outside diameter of 6 mm	4.2 mm		186180	QSY-G1/8-6
		For tubing outside diameter of 8 mm	5.9 mm		186182	QSY-G1/8-8
	Male thread G1/4	For tubing outside diameter of 6 mm	4.8 mm		186181	QSY-G1/4-6
		For tubing outside diameter of 8 mm	6.2 mm		186183	QSY-G1/4-8
		For tubing outside diameter of 10 mm	7.2 mm		186185	QSY-G1/4-10
	Male thread G3/8	For tubing outside diameter of 8 mm	6.6 mm	1	186184	QSY-G3/8-8
		For tubing outside diameter of 10 mm	7.4 mm		186186	QSY-G3/8-10
		For tubing outer diameter of 12 mm	8.4 mm		186187	QSY-G3/8-12
	Male thread G1/2		8.3 mm		186188	QSY-G1/2-12


Ordering data – Y-connector QSY						
	Pneumatic connection, port 1	Pneumatic connection, port 2	Nominal size	Size of pack	Part no.	Type
	For tubing outer diameter of 4 mm	For tubing outside diameter of 4 mm	2.6 mm	10	153148	QSY-4

## Ordering data


### Ordering data – Y-connector QSY

	Pneumatic connection, port 1	Pneumatic connection, port 2	Nominal size	Size of pack	Part no.	Type
	For tubing outer diameter of 4 mm	For tubing outside diameter of 4 mm	2.6 mm	100	<b>130807</b>	<b>QSY-4-100</b>
	For tubing outside diameter of 6 mm	For tubing outside diameter of 6 mm	4.3 mm	10	<b>153149</b>	<b>QSY-6</b>
				100	<b>130808</b>	<b>QSY-6-100</b>
	For tubing outer diameter of 8 mm	For tubing outside diameter of 8 mm	5.7 mm	10	<b>153150</b>	<b>QSY-8</b>
				50	<b>130809</b>	<b>QSY-8-50</b>
	For tubing outer diameter of 10 mm	For tubing outside diameter of 10 mm	6.7 mm	10	<b>153151</b>	<b>QSY-10</b>
				20	<b>130810</b>	<b>QSY-10-20</b>
For tubing outer diameter of 12 mm	For tubing outer diameter of 12 mm	8 mm	10	<b>153152</b>	<b>QSY-12</b>	
			20	<b>130811</b>	<b>QSY-12-20</b>	
For tubing outer diameter of 16 mm	For tubing outside diameter of 16 mm	12.7 mm	1	<b>130609</b>	<b>QSY-16</b>	


### Ordering data – Y-connector QSY, reducing

	Pneumatic connection, port 1	Pneumatic connection, port 2	Nominal size	Size of pack	Part no.	Type
	For tubing outside diameter of 6 mm	For tubing outside diameter of 4 mm	2.3 mm	10	<b>153153</b>	<b>QSY-6-4</b>
				100	<b>130812</b>	<b>QSY-6-4-100</b>
	For tubing outer diameter of 8 mm	For tubing outside diameter of 6 mm	3.2 mm	10	<b>130610</b>	<b>QSY-8-4</b>
					<b>153154</b>	<b>QSY-8-6</b>
	For tubing outer diameter of 10 mm	For tubing outside diameter of 8 mm	4.5 mm	50	<b>130813</b>	<b>QSY-8-6-50</b>
					<b>130611</b>	<b>QSY-10-6</b>
	For tubing outer diameter of 12 mm	For tubing outside diameter of 10 mm	5.8 mm	10	<b>153155</b>	<b>QSY-10-8</b>
					<b>130814</b>	<b>QSY-10-8-20</b>
	For tubing outer diameter of 12 mm	For tubing outside diameter of 10 mm	5.8 mm	10	<b>130612</b>	<b>QSY-12-8</b>
					<b>153156</b>	<b>QSY-12-10</b>
For tubing outer diameter of 12 mm	For tubing outside diameter of 10 mm	5.8 mm	20	<b>130815</b>	<b>QSY-12-10-20</b>	
For tubing outer diameter of 16 mm	For tubing outer diameter of 12 mm	7 mm	1	<b>190708</b>	<b>QSY-16-12</b>	

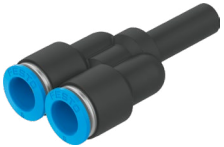
### Ordering data – Push-in Y-connector QSY...H with push-in sleeve


	Pneumatic connection, port 1	Pneumatic connection, port 2	Nominal size	Size of pack	Part no.	Type
	Push-in sleeve Ø 4 mm	For tubing outside diameter of 4 mm	1.6 mm	10	<b>130628</b>	<b>QSY-4H</b>


### Ordering data – Push-in Y-connector QSY...H with push-in sleeve, reducing

	Pneumatic connection, port 1	Pneumatic connection, port 2	Nominal size	Size of pack	Part no.	Type
	Push-in sleeve Ø 6 mm	For tubing outside diameter of 4 mm	2.3 mm	10	<b>130633</b>	<b>QSY-6H-4</b>

## Ordering data


Ordering data – Push-in Y-connector QSY-...H-B with push-in sleeve						
	Pneumatic connection, port 1	Pneumatic connection, port 2	Nominal size	Size of pack	Part no.	Type
	Push-in sleeve Ø 6 mm	For tubing outside diameter of 6 mm	3.1 mm	10	133145	QSY-6H-B
	Push-in sleeve Ø 8 mm	For tubing outside diameter of 8 mm	4.6 mm		133146	QSY-8H-B
	Push-in sleeve Ø 10 mm	For tubing outside diameter of 10 mm	5.9 mm		133148	QSY-10H-B
	Push-in sleeve Ø 12 mm	For tubing outer diameter of 12 mm	7.3 mm		133150	QSY-12H-B

Ordering data – Push-in Y-binding QSY-...H-B with push-in sleeve, reducing						
	Pneumatic connection, port 1	Pneumatic connection, port 2	Nominal size	Size of pack	Part no.	Type
	Push-in sleeve Ø 8 mm	For tubing outside diameter of 6 mm	3.6 mm	10	133147	QSY-8H-6-B
	Push-in sleeve Ø 10 mm	For tubing outside diameter of 8 mm	4.6 mm		133149	QSY-10H-8-B
	Push-in sleeve Ø 12 mm	For tubing outside diameter of 10 mm	5.9 mm		133151	QSY-12H-10-B


Ordering data – Push-in Y-fitting QSYL, R thread						
	Pneumatic connection, port 1	Pneumatic connection, port 2	Nominal size	Size of pack	Part no.	Type
	Male thread R1/8	For tubing outside diameter of 4 mm	3.9 mm	1	153172	QSYL-1/8-4
		For tubing outside diameter of 6 mm	4.2 mm		153173	QSYL-1/8-6
		For tubing outside diameter of 8 mm	5.7 mm		153175	QSYL-1/8-8
	Male thread R1/4	For tubing outside diameter of 6 mm	5.3 mm		153174	QSYL-1/4-6
		For tubing outside diameter of 8 mm	7.3 mm		153176	QSYL-1/4-8
		For tubing outside diameter of 10 mm	8 mm		153178	QSYL-1/4-10
	Male thread R3/8	For tubing outside diameter of 8 mm	7.3 mm		153177	QSYL-3/8-8
		For tubing outside diameter of 10 mm	9.2 mm		153179	QSYL-3/8-10
		For tubing outer diameter of 12 mm	9.7 mm		153180	QSYL-3/8-12

## Ordering data


### Ordering data – Push-in Y-fitting QSYL, R thread

	Pneumatic connection, port 1	Pneumatic connection, port 2	Nominal size	Size of pack	Part no.	Type
	Male thread R1/2	For tubing outer diameter of 12 mm	10.6 mm	1	153181	QSYL-1/2-12


### Ordering data – Push-in Y-fitting QSYL, G thread with sealing ring

	Pneumatic connection, port 1	Pneumatic connection, port 2	Nominal size	Size of pack	Part no.	Type
	Male thread G1/8	For tubing outside diameter of 4 mm	3.9 mm	1	186189	QSYL-G1/8-4
		For tubing outside diameter of 6 mm	4.2 mm		186190	QSYL-G1/8-6
		For tubing outside diameter of 8 mm	5.7 mm		186192	QSYL-G1/8-8
	Male thread G1/4	For tubing outside diameter of 6 mm	5.3 mm		186191	QSYL-G1/4-6
		For tubing outside diameter of 8 mm	7.3 mm		186193	QSYL-G1/4-8
		For tubing outside diameter of 10 mm	8 mm		186195	QSYL-G1/4-10
	Male thread G3/8	For tubing outside diameter of 8 mm	7.3 mm		186194	QSYL-G3/8-8
		For tubing outside diameter of 10 mm	9.2 mm		186196	QSYL-G3/8-10
		For tubing outer diameter of 12 mm	9.7 mm		186197	QSYL-G3/8-12
	Male thread G1/2	For tubing outer diameter of 12 mm	10.6 mm		186198	QSYL-G1/2-12

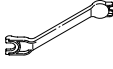
### Ordering data – Push-in Y-fitting QSYLV, R thread

	Pneumatic connection, port 1	Pneumatic connection, port 2	Nominal size	Size of pack	Part no.	Type
	Male thread R1/8	For tubing outside diameter of 6 mm	4.2 mm	1	153192	QSYLV-1/8-6
	Male thread R1/4	For tubing outside diameter of 8 mm	6 mm		153193	QSYLV-1/4-8
	Male thread R3/8	For tubing outside diameter of 10 mm	8 mm		153194	QSYLV-3/8-10
	Male thread R1/2	For tubing outer diameter of 12 mm	10 mm		153195	QSYLV-1/2-12

## Ordering data

Ordering data – Push-in Y-fitting QSYLV, G thread with sealing ring						
	Pneumatic connection, port 1	Pneumatic connection, port 2	Nominal size	Size of pack	Part no.	Type
	Male thread G1/8	For tubing outside diameter of 6 mm	3.5 mm	1	<b>186209</b>	<b>QSYLV-G1/8-6</b>
	Male thread G1/4	For tubing outside diameter of 8 mm	4.7 mm		<b>186210</b>	<b>QSYLV-G1/4-8</b>
	Male thread G3/8	For tubing outside diameter of 10 mm	5.2 mm		<b>186211</b>	<b>QSYLV-G3/8-10</b>
	Male thread G1/2	For tubing outer diameter of 12 mm	7 mm		<b>186212</b>	<b>QSYLV-G1/2-12</b>

Accessories

Release tool QS0					
	Short type code	Size	Product weight	Part no.	Type
	QS0	For tubing O.D. 4 mm For tubing O.D. 6 mm For tubing O.D. 8 mm For tubing O.D. 10 mm	13 g	<b>158419</b>	<b>QS0</b>