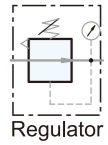


## Symbol



## Features

1. For high pressure use, corrosion and chemical resistance.
2. Good performance for outdoor facility.
3. Suitable for semi-conductor industry.
4. Accurate and sensitive pressure setting.
5. Strict quality control.
6. CE and EX-proof certified.

## How to order

USR	B	-	02	N
Stainless Steel Regulator	Pressure		Port size	Thread
	Blank: 0~30kgf/cm <sup>2</sup> (for 1/4", 3/8", 1/2") 0~28kgf/cm <sup>2</sup> (for 3/4", 1") B: 0~12kgf/cm <sup>2</sup>		02 : 1/4" 03 : 3/8" 04 : 1/2" 06 : 3/4" 08 : 1"	Blank : G N : NPT R : Rc

Please contact our sales for non-relieving type.

\*For non-relieving type, the secondary pressure is not allowed to be exhausted when it is higher than setting pressure.

\*Spring: USRB = SUS303  
USR=Alloy steel

## Specifications

Model	USR-02	USR-03	USR-04	USR-06	USR-08
Port size	1/4"	3/8"	1/2"	3/4"	1"
Fluid	Compressed air				
Regulator construction	Piston				
Body material	Stainless steel SUS316				
Pressure gauge material	Case: Stainless steel SUS304, Thread: Stainless steel SUS316				
Operating pressure range	USRB: 0 ~ 12 kgf/cm <sup>2</sup> USR: 0 ~ 30 kgf/cm <sup>2</sup>		USRB: 0 ~ 12 kgf/cm <sup>2</sup> USR: 0 ~ 28 kgf/cm <sup>2</sup>		
Max. inlet pressure	60 kgf/cm <sup>2</sup>				
Max. flow rate l/min (ANR)	1950	2250	2520	B9000/18000	B9400/22000
Ambient temperature	-10°C ~ 70°C				
Proof pressure	80 kgf/cm <sup>2</sup>				
Net weight	1400g		3400g		
Accessories	Pressure gauge (0~20kg), Plug, Mounting bracket set				
Option	Pressure gauge (0~10kg), Pressure gauge (0~30kg)				

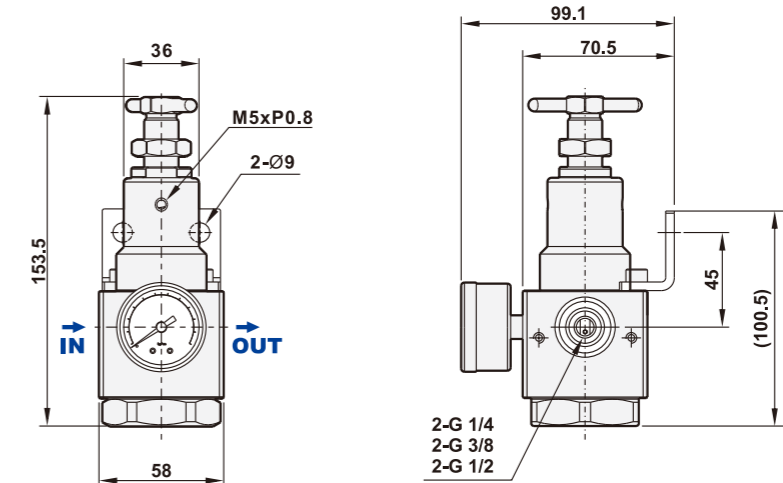
<https://www.markazbargh.com/product-category/automation/>

CE Ex II 2G Ex h IIC T4 Gb  
II 2D Ex h IIC T135°C Db  
-10 °C ≤ Ta ≤ 70 °C



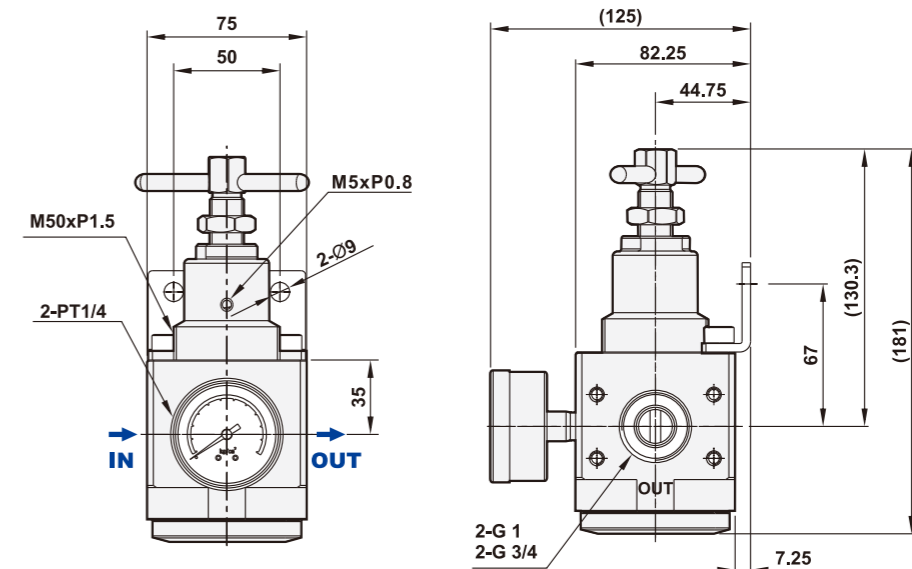
## Dimensions <https://www.markazbargh.com/brand/pneu-control/>

### USR-02, 03, 04



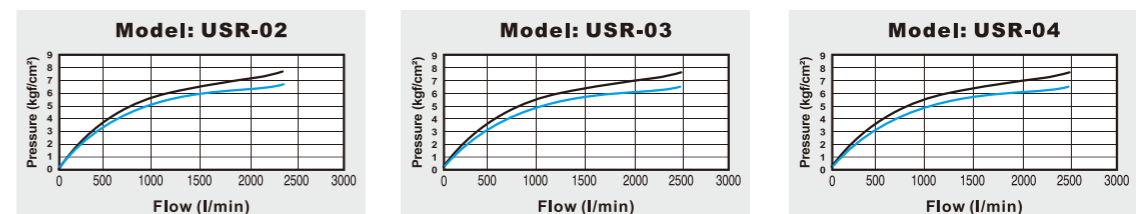
<https://www.markazbargh.com/product-category/air-unit/>

### USR-06, 08



<https://www.markazbargh.com/brand/shako/>

## Flow chart



**Note:** X axis: Flow (l/min), Y axis: Pressure (kgf/cm<sup>2</sup>), Blue line (P0) = Outlet pressure, Black line (P1) = Inlet pressure, P1-P0 = Pressure range

<https://www.markazbargh.com/product-category/hydraulic/>