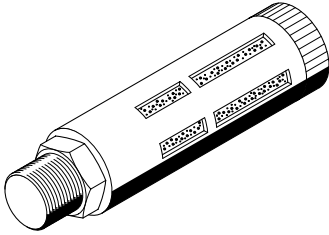


## Datasheet

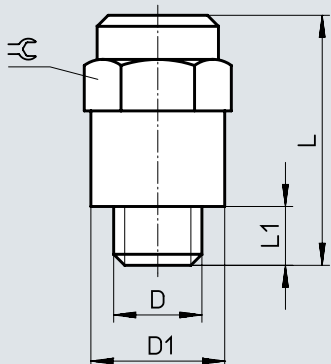
## Technical data – Flow control/silencer GRU



Valve function	Sound pressure control function				
Pneumatic connection, port 1	G1/8	G1/4	G3/8	G1/2	G3/4
Adjustment component	Slotted head screw				
Type of mounting	Screw-in				
Mounting position	optional				
Operating pressure complete temperature range	0 ... 10 bar				
Operating medium	Compressed air to ISO 8573-1:2010 [7:-:]				
Note on operating and pilot medium	Lubricated operation possible				
Ambient temperature	-10 ... 70°C				
Media temperature	-10 ... 70°C				
Material adjusting screw	PA				
Material screwed plug	Die-cast aluminium				
Note on materials	RoHS-compliant				
LABS (PWIS) conformity	VDMA24364-B1/B2-L				

## Dimensions

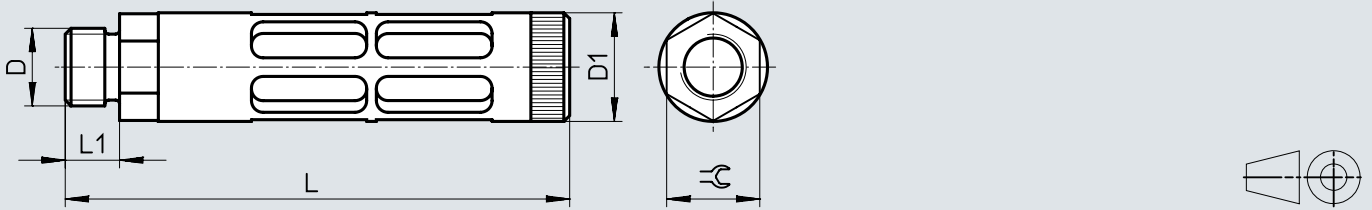
Dimensions – Exhaust air flow control valves GRE



	D	D1	L	L1	☞
GRE-1/8	G1/8	15	27,1	5,1	14
GRE-1/4	G1/4	18,2	32,1	6,1	17
GRE-3/8	G3/8	25	41,1	7,1	22
GRE-1/2	G1/2	27	44,6	8,6	24

## Dimensions

### Dimensions – Flow control/silencer GRU



	D	D1	L	L1	≈C
GRU-1/8-B	G1/8	16	45,9	5,4	14
GRU-1/4-B	G1/4	19,5	63,3	6,4	17
GRU-3/8-B	G3/8	25	95,3	7,5	19
GRU-1/2-B	G1/2	28	130	14	24
GRU-3/4-B	G3/4	38	157,2	16	32