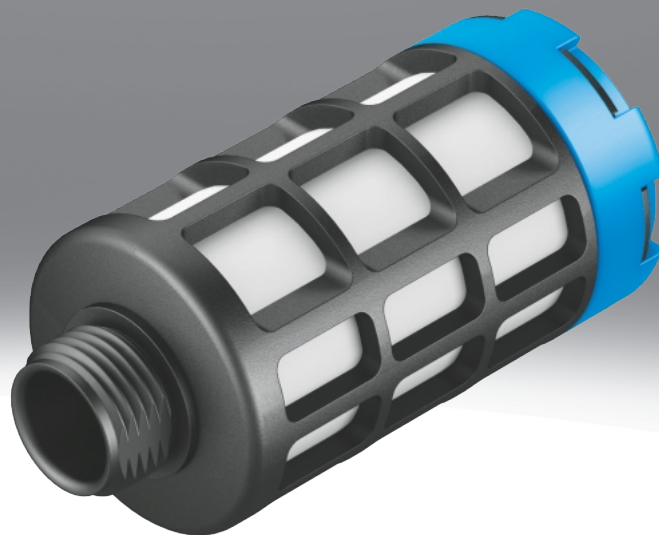


Silencer U

FESTO



Characteristics

At a glance



To reduce noise and prevent contamination at the exhaust ports of pneumatic components.

- Compact design, polymer or die-cast
- Barbed connector or threaded connection
- Operating medium: compressed air

Note: Clean silencers with paraffin (not with petrol or trichloroethylene).

Product segmentation



Festo Core Range

Solves the majority of your automation tasks

With the Festo Core Range, we have selected the most important products and functions from our broad product catalogue, and added the quickest delivery. The Core Range offers you the best value with the expected high Festo quality.

- Quickest delivery, worldwide – wherever, whenever
- Expected high Festo quality
- Easy and fast to select

Type code

001	Series
U	Silencer

002	Pneumatic connection
1/8	G1/8
1/4	G1/4
3/8	G3/8
1/2	G1/2
3/4	G3/4
1	G1
1-NPT	1 NPT
3/4-NPT	3/4 NPT
PK-3	Barbed connector 3 mm
PK-4	Barbed connector 4 mm

003	Product version
	Standard
B	Function-optimised

004	Thread type
	Male thread
I	Female thread

005	Packaging quantity [pieces]
	1
20	20
50	50

Datasheet

Technical data – Sintered metal version

Pneumatic connection	PK-3	PK-4
Mounting position	optional	
Sound pressure level ¹⁾	70 dB(A)	77 dB(A)
Flow rate to atmosphere ²⁾	310 l/min	580 l/min
Operating pressure	0 ... 1 MPa	
Operating pressure	0 ... 10 bar	
Operating pressure	0 ... 145 psi	
Operating medium	Compressed air to ISO 8573-1:2010 [7:-:-]	
Note on operating and pilot medium	Lubricated operation possible	
Ambient temperature	-10 ... 70°C	
Material screwed plug	Brass	
Material shock absorber insert	Bronze	
Note on materials	RoHS-compliant	
LABS (PWIS) conformity	VDMA24364-B1/B2-L	

1) Measured at 6 bar relative to atmosphere at 1 m distance

2) Measured at p1 = 6 bar

Technical data – Polymer version, male thread

Pneumatic connection	G1/8	G1/4	G3/8	G1/2	G3/4	G1
Mounting position	optional					
Sound pressure level ¹⁾	74 dB(A)	76 dB(A)	82 dB(A)	85 dB(A)	90 dB(A)	90 dB(A)
Flow rate to atmosphere ²⁾	2,000 l/min	3,300 l/min	6,000 l/min	10,300 l/min	17,600 l/min	20,800 l/min
Operating pressure	0 ... 1 MPa					
Operating pressure	0 ... 10 bar					
Operating pressure	0 ... 145 psi					
Operating medium	Compressed air to ISO 8573-1:2010 [7:-:-]					
Note on operating and pilot medium	Lubricated operation possible					
Ambient temperature	-10 ... 70°C					
Material shock absorber insert	PE					
Note on materials	RoHS-compliant					
LABS (PWIS) conformity	VDMA24364-B1/B2-L					

1) Measured at 6 bar relative to atmosphere at 1 m distance

2) Measured at p1 = 6 bar

Technical data – Polymer version, female thread

Pneumatic connection	G1/8
Mounting position	optional
Sound pressure level ¹⁾	76.5 dB(A)
Flow rate to atmosphere ²⁾	2,050 l/min
Operating pressure	0 ... 1 MPa
Operating pressure	0 ... 10 bar
Operating pressure	0 ... 145 psi
Operating medium	Compressed air to ISO 8573-1:2010 [7:-:-]
Note on operating and pilot medium	Lubricated operation possible
Ambient temperature	-10 ... 70°C
Material shock absorber insert	PE
Note on materials	RoHS-compliant
LABS (PWIS) conformity	VDMA24364-B1/B2-L

1) Measured at 6 bar relative to atmosphere at 1 m distance

2) Measured at p1 = 6 bar

Datasheet

Technical data – Die-cast metal version						
Pneumatic connection	G1/8	G1/4	G3/8	G1/2	G3/4	G1
Mounting position	optional					
Sound pressure level ¹⁾	74 dB(A)	80 dB(A)		81 dB(A)	83 dB(A)	85 dB(A)
Flow rate to atmosphere ²⁾	1,340 l/min	2,440 l/min	5,800 l/min	7,500 l/min	10,000 l/min	17,500 l/min
Operating pressure complete temperature range	0 ... 1 MPa					
Operating pressure complete temperature range	0 ... 10 bar					
Operating pressure complete temperature range	0 ... 145 psi					
Operating medium	Compressed air to ISO 8573-1:2010 [7:::]					
Note on operating and pilot medium	Lubricated operation possible					
Ambient temperature	-10 ... 70°C					
Corrosion resistance class CRC ³⁾	1 - Low corrosion stress					
Material housing	Aluminium					
Material screwed plug	Aluminium					
Material shock absorber insert	PE					
Note on materials	RoHS-compliant					
LABS (PWIS) conformity	VDMA24364-B1/B2-L					

1) Measured at 6 bar relative to atmosphere at 1 m distance

2) Measured at p1 = 6 bar

3) More information: www.festo.com/x/topic/crc

Technical data – Die-cast metal version (NPT)	
Pneumatic connection	3/4 NPT
Mounting position	optional
Sound pressure level ¹⁾	81 dB(A)
Flow rate to atmosphere ²⁾	11,834 l/min
Operating pressure complete temperature range	0 ... 1 MPa
Operating pressure complete temperature range	0 ... 10 bar
Operating pressure complete temperature range	0 ... 145 psi
Operating medium	Compressed air to ISO 8573-1:2010 [7:::]
Note on operating and pilot medium	Lubricated operation possible
Ambient temperature	-10 ... 70°C
Corrosion resistance class CRC ³⁾	1 - Low corrosion stress
Material housing	Aluminium
Material screwed plug	Aluminium
Material shock absorber insert	PE
Note on materials	RoHS-compliant
LABS (PWIS) conformity	VDMA24364-B1/B2-L

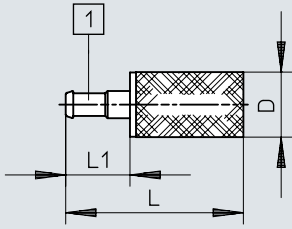
1) Measured at 6 bar relative to atmosphere at 1 m distance

2) Measured at p1 = 6 bar

3) More information: www.festo.com/x/topic/crc

Dimensions

Dimensions – Version with sintered metal,-PK-3

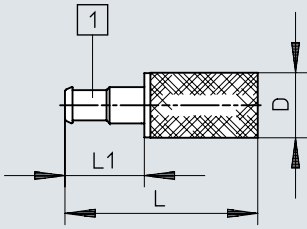


[1] Barbed connector for tubing, inside- \varnothing 3

	D \varnothing	L	L1
PK-3	8,6	23,5	8,5

Dimensions

Dimensions – Sintered metal version,-PK-4

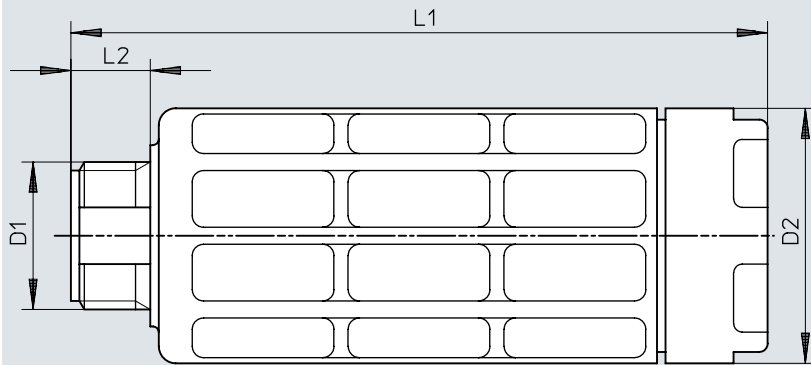


[1] Barbed connector for tubing, inside- \varnothing 4

	D \varnothing	L	L1
PK-4	8,6	25,5	10,5

Dimensions

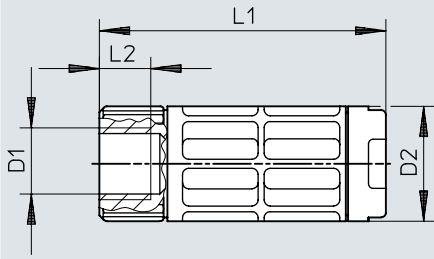
Dimensions – Polymer version, male thread



D1	D2 ø	L1	L2
G1/8	15,2	35,9	5,5
G1/4	19	57	6,5
G3/8	33,5	78,8	7,5
G1/2	43	88,1	9
G3/4	45	120,7	10,5
G1	55	126,5	11,5

Dimensions

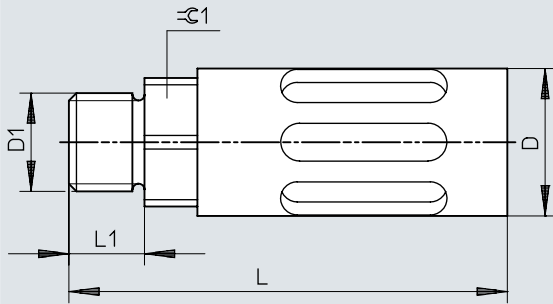
Dimensions – Polymer version, female thread



D1	D2 ∅	L1	L2
G1/8	15,2	38	6,5

Dimensions

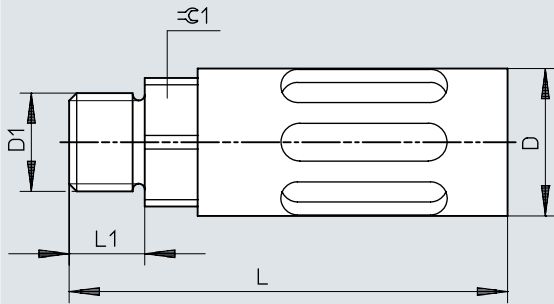
Dimensions – Die-cast metal version



D1	D ∅	L	L1	1°
G1/8	16	39,2	5,5	14
G1/4	19,5	55,6	6,5	17
G3/8	25	86,6	7,5	19
G1/2	28	116,5	9	24
G3/4	38	138	10,5	32
G1	47,8	177	11,5	36

Dimensions


Dimensions – Die-cast metal version (NPT)




D1	D ∅	L	L1	±0.1
3/4 NPT	38	151	18	30

Ordering data


Ordering data – Sintered metal version

	Pneumatic connection	Sound pressure level	Flow rate to atmosphere	Product weight	Part no.	Type
	PK-3	70 dB(A)	310 l/min	4.5 g	4646	U-PK-3
	PK-4	77 dB(A)	580 l/min	4.1 g	4932	U-PK-4


Ordering data – Polymer version, male thread

	Pneumatic connection	Sound pressure level	Flow rate to atmosphere	Product weight	Part no.	Type
	G1/8	74 dB(A)	2,000 l/min	2.3 g	★ 2307 534222	U-1/8 U-1/8-50
	G1/4	76 dB(A)	3,300 l/min	7.7 g	★ 2316	U-1/4
					534223	U-1/4-20
	G3/8	82 dB(A)	6,000 l/min	29.6 g	★ 2309	U-3/8
					534224	U-3/8-20
	G1/2		10,300 l/min	58.2 g	534225 ★ 2310	U-1/2-20 U-1/2
	G3/4	85 dB(A)	17,600 l/min	83 g	★ 2311	U-3/4
G1	90 dB(A)	20,800 l/min	139.8 g	★ 2312	U-1	


Ordering data – Polymer version, female thread

	Pneumatic connection	Sound pressure level	Flow rate to atmosphere	Product weight	Part no.	Type
	G1/8	76.5 dB(A)	2,050 l/min	3.6 g	3670	U-1/8-I


Ordering data – Die-cast version

	Pneumatic connection	Sound pressure level	Flow rate to atmosphere	Product weight	Part no.	Type
	G1/8	74 dB(A)	1,340 l/min	8 g	6841	U-1/8-B
	G1/4	80 dB(A)	2,440 l/min	17 g	6842	U-1/4-B
	G3/8		5,800 l/min	37 g	6843	U-3/8-B
	G1/2	81 dB(A)	7,500 l/min	75 g	6844	U-1/2-B
	G3/4	83 dB(A)	10,000 l/min	120 g	6845	U-3/4-B
	G1	85 dB(A)	17,500 l/min	233 g	151990	U-1-B

Ordering data – Die-cast metal version (NPT)

	Pneumatic connection	Sound pressure level	Flow rate to atmosphere	Product weight	Part no.	Type
	3/4 NPT	81 dB(A)	11,834 l/min	128 g	566823	U-3/4-B-NPT

Ordering data

Ordering data – Die-cast metal version (NPT – for North America only)						
	Pneumatic connection	Sound pressure level	Flow rate to atmosphere	Product weight	Part no.	Type
	1/8 NPT	74 dB(A)	1,450 l/min	8 g	12638	U-1/8-B-NPT
	1/4 NPT	78 dB(A)	3,000 l/min	17 g	12639	U-1/4-B-NPT
	3/8 NPT	80 dB(A)	4,500 l/min	37 g	12740	U-3/8-B-NPT
	1/2 NPT		6,500 l/min	75 g	12741	U-1/2-B-NPT
	1 NPT		15,102 l/min	233 g	571280	U-1-B-NPT