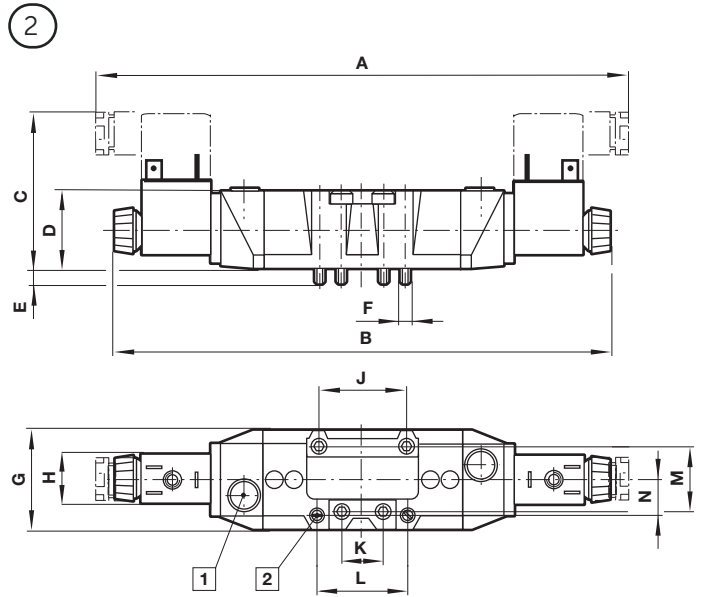
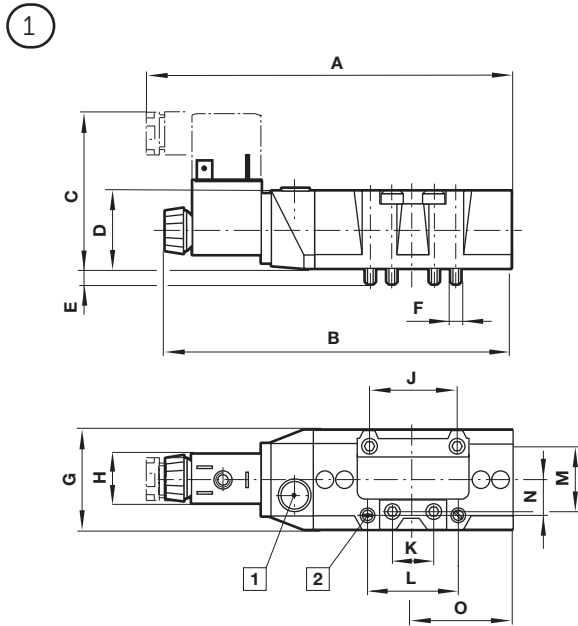


**NON ATEX DRAWINGS**

Dimensions in mm  
Projection/First angle

**SXE957\*-A models**  
**Single end solenoid pilot valves**

**SXE057\*-A and SXE9\*7\*-A models**  
**Double end solenoid pilot valves**

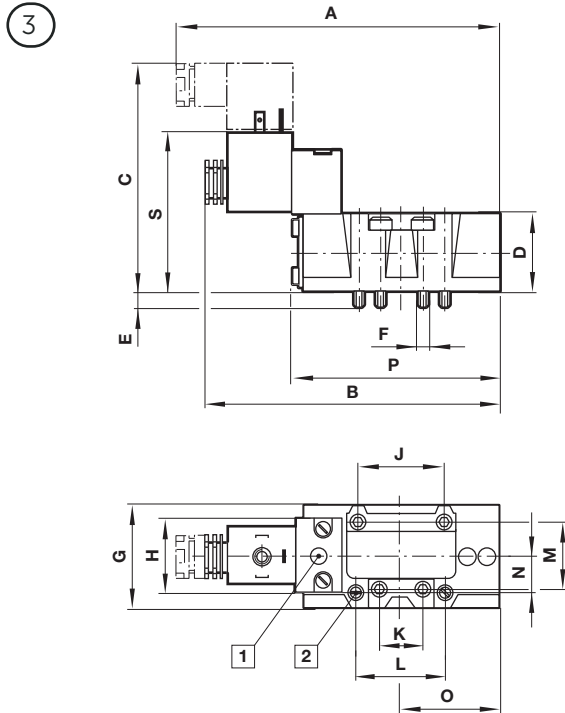


① Manual override  
② Flow regulators

ISO size	A	B	C	D	E	F	G	H	J
1	154	146	66	33	7,5	M5	42	22/30	36
2	181	173	71	42	8	M6	55	22/30	48
3	207,5	197	72	43	11,5	M8	62,5	22/30	64
ISO size	K	L	M	N	O	kg	Model		
1	18	38	28	15	42	0,33	SXE9573-A...		
2	24	48	38	20	53	0,59	SXE9574-A...		
3	32	-	48	-	65,5	0,85	SXE9575-A...		

ISO size	A	B	C	D	E	F	G	H	J
1	222	204	65	33	7,5	M5	42	22/30	36
2	255	239	71	42	8	M6	55	22/30	48
3	284	263	72	43	11,5	M8	62,5	22/30	64
ISO size	K	L	M	N	kg	Model			
1	18	38	28	15	0,45	SXE0573-A..., SXE9.73-A...			
2	24	48	38	20	0,72	SXE0574-A..., SXE9.74-A...			
3	32	-	48	-	0,96	SXE0575-A..., SXE9.75-A...			

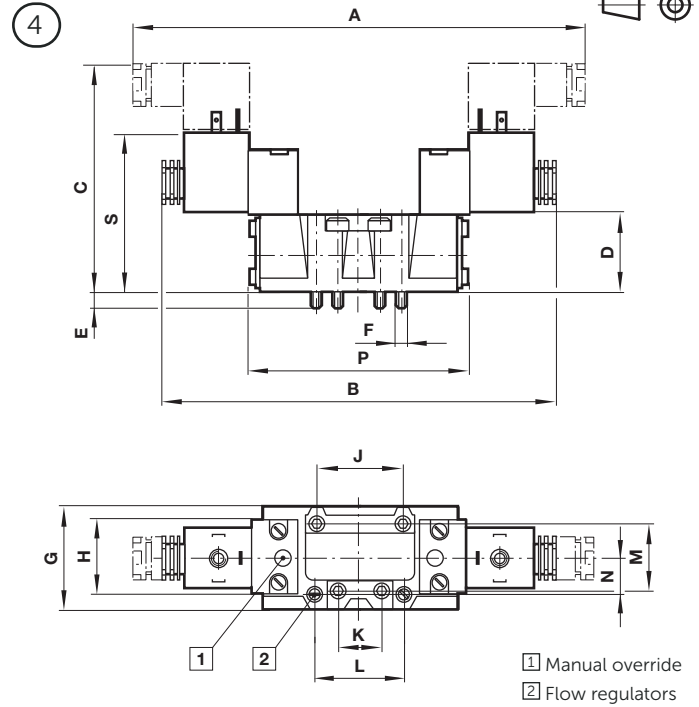
### SXE957\*-Z models Single CNOMO solenoid pilot valves



ISO size	A	B	C	D	E	F	G	H	J	K
1	137,5	128	98	33	7,5	M5	42	32	36	18
2	157,5	148	107	42	8	M6	55	32	48	24
3	181	170	108	43	11,5	M8	62,5	32	64	32
ISO size	L	M	N	O	P	S	kg	Model		
1	38	28	15	42	88	62	0,6	SXE9573-Z...		
2	48	38	20	53	112	71	0,8	SXE9574-Z...		
3	-	48	-	65,5	135,5	78,5	1,0	SXE9575-Z...		

### SXE057\*-Z and SXE9\*7\*-Z models Double CNOMO solenoid pilot valves

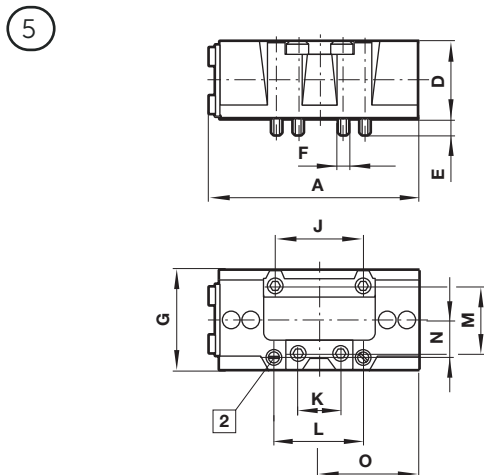
Dimensions in mm  
Projection/First angle



ISO size	A	B	C	D	E	F	G	H	J	K
1	191	171	89	33	7,5	M5	42	32	36	18
2	208	189	107	42	8	M6	55	32	48	24
3	231	212	108	43	11,5	M8	62,5	32	64	32
ISO size	L	M	N	P	S	kg	Model			
1	38	28	15	92,5	62	1,0	SXE0573-Z..., SXE973-Z...			
2	48	38	20	119	71	1,2	SXE0574-Z..., SXE974-Z...			
3	-	48	-	140 (142)	78,5	1,4	SXE0575-Z..., SXE975-Z...			

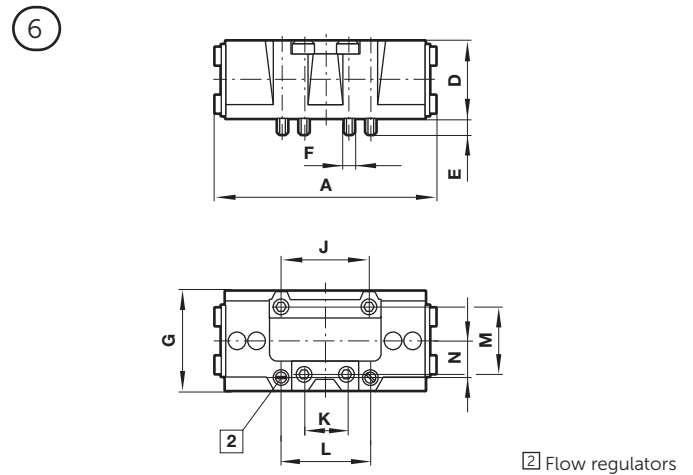
( ) for 5/3 way valves

### SXP957\* models Single air pilot valve



ISO size	A	D	E	F	G	J	K
1	88	33	7,5	M5	42	36	18
2	112	42	8	M6	55	48	24
3	135,5	43	11,5	M8	62,5	64	32
ISO size	L	M	N	O	kg	Model	
1	38	28	15	42	0,3	SXP9573-..., SXP*573-...	
2	48	38	20	53	0,5	SXP9574-..., SXP*574-...	
3	-	48	-	65,5	0,7	SXP9575-..., SXP*574-...	

### SXP\*57\*, SXP967\*, SXP977\* & SXP987\* models Double air pilot valve



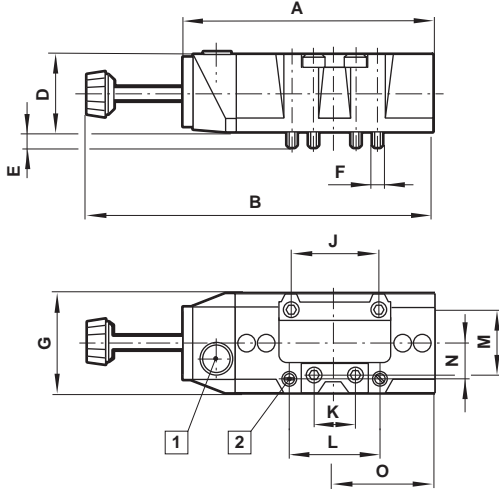
ISO size	A	D	E	F	G	J	K
1	92,5	33	7,5	M5	42	36	18
2	119	42	8	M6	55	48	24
3	140 (142)	43	11,5	M8	62,5	64	32
ISO size	L	M	N	kg	Model		
1	38	28	15	0,3	SXP0573-..., SXP9*73-...		
2	48	38	20	0,5	SXP*574-..., SXP9*74-...		
3	-	48	-	0,7	SXP*575-..., SXP9*75-...		

( ) for 5/3 way valves

## ATEX DRAWINGS

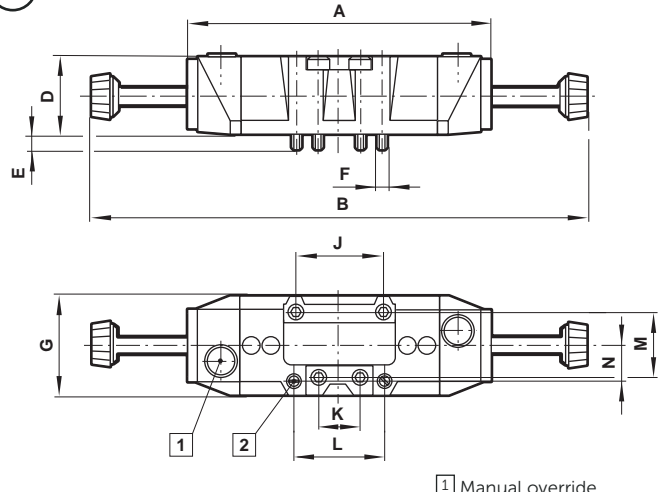
### SXE957\*-A models Single end solenoid pilot valves

①



### SXE057\*-A and SXE9\*7\*-A models Double end solenoid pilot valves

②



Dimensions in mm  
Projection/First angle



① Manual override  
② Flow regulators

### Single end solenoid pilot valves

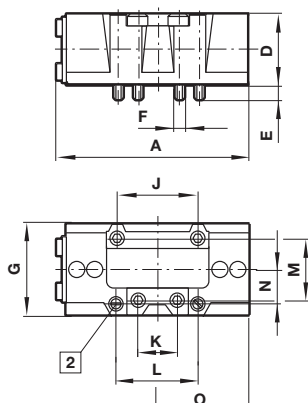
ISO size	A	B	D	E	F	G	H	J
1	107	144	33	7,5	M5	42	22	36
2	135	173	42	8	M6	55	22	48
3	158	197	43	11,5	M8	62,5	22	64
ISO size	K	L	M	N	O	kg	Model	
1	18	38	28	15	42	0,33	SXE9573-1...	
2	24	48	38	20	53	0,59	SXE9574-1...	
3	32	-	48	-	65,5	0,85	SXE9575-1...	

### Double end solenoid pilot valves

ISO size	A	B	D	E	F	G	H	J	K
1	129	204	33	7,5	M5	42	22	36	18
2	163	239	42	8	M6	55	22	48	24
3	185	263	43	11,5	M8	62,5	22	64	32
ISO size	L	M	N	O	kg	Model			
1	38	28	15	42	0,45	SXE0573-1..., SXE973-1...			
2	48	38	20	53	0,72	SXE0574-1..., SXE974-1...			
3	-	48	-	65,5	0,96	SXE0575-1..., SXE975-1...			

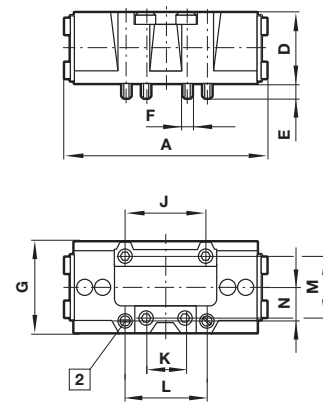
### SXP957\* models Single air pilot valve

⑤



### SXP057\*, SXP967\*, SXP977\* models Double air pilot valve

⑥



ISO size	A	D	E	F	G	J	K	M	kg	Model
1	92,5	33	7,5	M5	42	36	18	28	0,3	SXP9573-170-00
2	118	42	7	M6	55,5	48	24	38	0,5	SXP9574-170-00
3	134	43	11,5	M8	62,5	64	32	48	0,7	SXP9575-170-00

ISO size	A	D	E	F	G	J	K	M	kg	Model
1	88,5	33	7,5	M5	42	36	18	28	0,2	SXP0573-170-00
1	92,5	33	7,5	M5	42	36	18	28	0,3	SXP973-170-00
2	111	42	7	M6	55,5	48	24	38	0,4	SXP0574-170-00
2	118	42	7	M6	55,5	48	24	38	0,5	SXP974-170-00
3	134	43	11,5	M8	62,5	64	32	48	0,7	SXP0575-170-00
3	134	43	11,5	M8	62,5	64	32	48	0,7	SXP975-170-00

## Accessories for ISO G parallel and NPT threads - NON ATEX

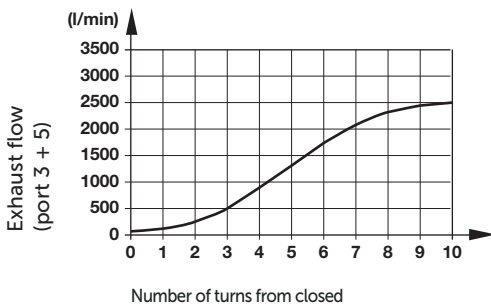
### Flow regulator plate

Symbol	ISO size	Regulated port	Operation	Inlet pressure max. (bar)	Weight (kg)	Model
	3	3 and 5	Piston regulator	-0,9 ... 16	0,86	CQM/22354/3/26

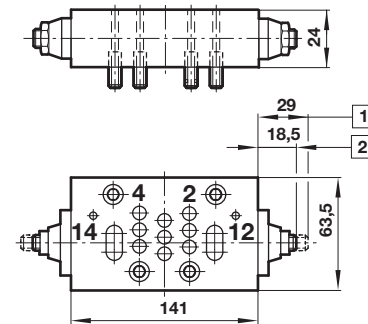
Application:  
Regulation of exhaust ports 3 and 5 allows easy cylinder speed control.

Note:  
The regulator screw can be locked with the lock nut.

### Flow characteristics (inlet pressure: 8 bar)



### Dimensions

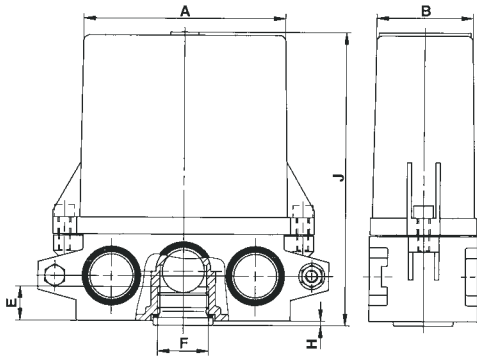


Dimensions in mm  
Projection/First angle



- 1 Fully open
- 2 Fully closed

### Silencer for VDMA & universal sub-bases with ISO G and NPT threads



ISO size	A	B	E	F	H	J	Model
1	77	38	15	G3/8	2	122	0015510

**ATEX permissible accessories**

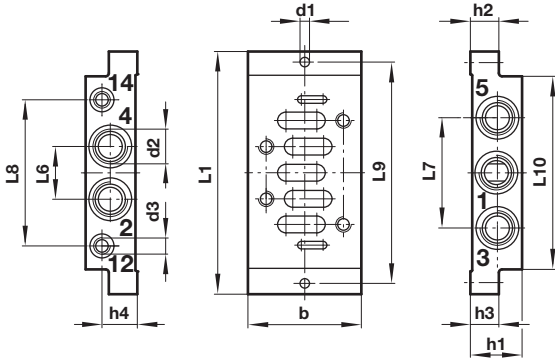
Following accessories of the ISO\*STAR series are applicable in Ex zones 1, 2, 21 and 22:  
Sub-bases and end plates

Dimensions in mm  
Projection/First angle

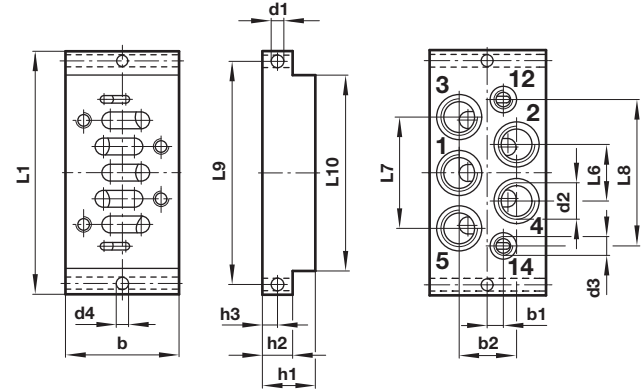


**VDMA 24345 sub-base options**

Single station sub-base side ported (Form A)  
for ISO G and NPT threads



Single station sub-base  
bottom ported (Form B)  
for ISO G and NPT threads



ISO size	b	d1	d2	d3	h1	h2	h3	Model
1	48	5,5	1/4"	1/8"	32	10	10,5 (21,5)	#/P19126
2	57	6,6	3/8"	1/8"	40	13	14 (26)	#/P19132
3	71	6,6	1/2"	1/8"	32	18	179	#/P19138

ISO size	b	b1	b2	d1	d2	d3	d4	h1	Model
1	46	7	23	5,5	1/4"	1/8"	5,5	30	#/P19125
2	56	8	27	6,6	3/8"	1/8"	6,6	35	#/P19131
3	71	10	34	6,6	1/2"	1/8"	6,69	32	#/P19137

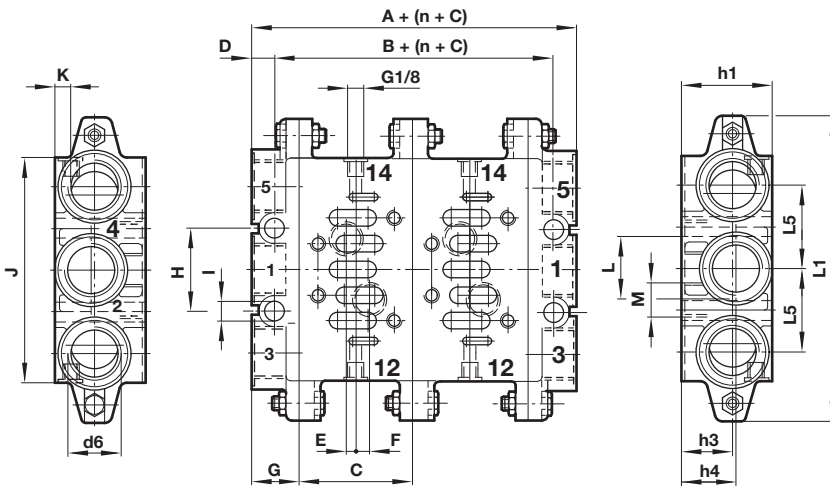
ISO size	h4	L1	L6	L7	L8	L9	L10	kg	Model
1	23,5	110	24	43	58	98	84	0,16	#/P19126
2	30	124	30	56	74	112	95	0,28	#/P19132
3	22	149	32	68	90	136	119	0,36	#/P19138

ISO size	h2	h3	L1	L6	L7	L8	L9	L10	kg	Model
1	10	5	110	23	46	62	98	84	0,19	#/P19125
2	13	6,5	124	28	56	73	112	95	0,32	#/P19131
3	18	9	149	34	68	90	136	119	0,40	#/P19137

( ) Dimension for ports 3 and 5.

# Insert 'M' for ISO G parallel or 'C' for NPT threads

**Modular sub-bases (Form C) and end plates (Form D)  
for ISO G and NPT threads**

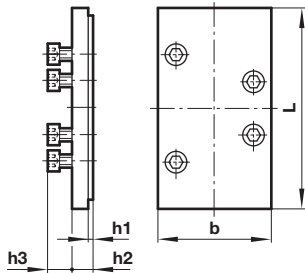


ISO size	A	B	C	D	E	F	G	H	I	kg	Model ISO G thread	Model NPT thread
1	44	22	43	11	1,5	7,5	22	28	7	0,24	CQM/22152/3/21	239-238B
2	52	26	56	13	5	6	26	35	9	0,36	CQM/22253/3/21	239-242B
3	60	30	71	15	6	8	30	52	12	0,72	CQM/22354/3/21	239-246B

ISO size	J	K	L	M	h1	h3	h4	L1	L5	d6	kg	Model ISO G thread	Model NPT thread
1	85	8,5	26	G1/4	46	21	24	110	28	3/8"	0,22	CQM/22152/3/22	239-289B
2	100	9	30	G3/8	47	22	24	135	28	1/2"	0,34	CQM/22253/3/22	239-291B
3	140	10	38	G1/2	56	31	34	190	52	1"	0,66	CQM/22354/3/22	239-293B

**Blanking plate for VDMA & universal sub-bases with ISO G and NPT threads**

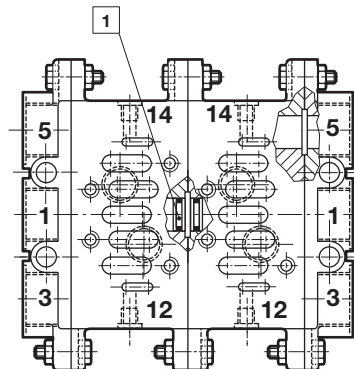
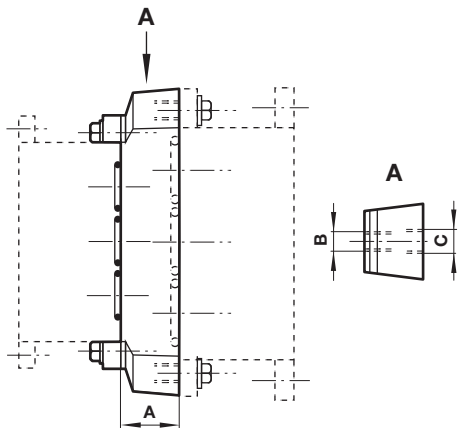
Dimensions in mm  
Projection/First angle



ISO size	b	L	h1	h2	h3	kg	Model
1	42	80	2	14	11	0,05	CQM/22152/3/23
2	55	85	2,5	12,5	13,5	0,09	CQM/22253/3/23
3	70	106	2,5	12,5	15,5	0,26	CQM/22354/3/23

**Transition plate from ISO 1 » ISO 2, ISO 2 » ISO 3 and ISO1 » ISO 3 for VDMA sub-bases for ISO G and NPT threads**

**Blanking disc  
FP8382, FP8482 & FP8582 for ISO G thread  
239-251, 239-252 & 239-253 for NPT thread**



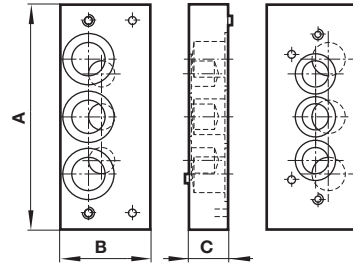
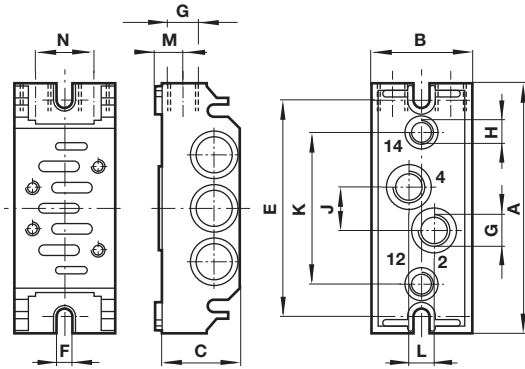
ISO size	A	B	C	kg	Model
1 » 2	25	M5	M6	0,35	CQM/22152/3/24
2 » 3	40	M6	M8	0,65	CQM/22253/3/24
1 » 3	34	M5	M8	0,90	FP8570

1 Blanking disc; FP8\*82 or 239-25\*

**Universal sub-base options for ISO G threads only**  
**Modular base with side and bottom ports open**

**Transition plate from ISO 1 » ISO 2**

Dimensions in mm  
 Projection/First angle



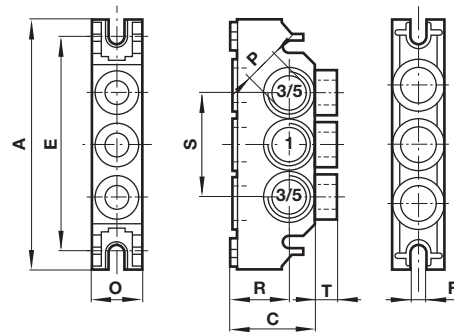
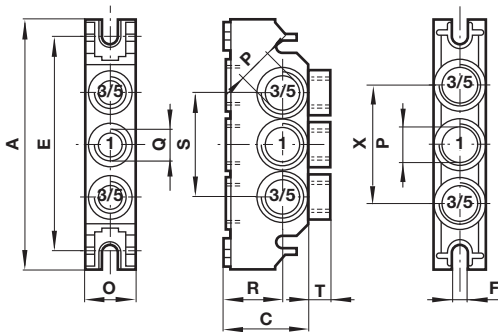
ISO size	A	B	C	E	F	G	H	J	K	L	M	N	kg	Model
1	106	43	36	92	5,5	G1/4	G1/8	18	64	11	12	28	0,16	CQM/22152/3/27
2	120	56	43	102	6,5	G3/8	G1/8	24	68	19	15	38	0,35	CQM/22253/3/27

ISO size	A	B	C	kg	Model
1 » 2	114	46	20	0,23	CQM/22152/3/29

Screws, nuts, seals and plugs for ports 2 & 4 are in scope of delivery.

**Universal end plate, all ports blocked**

**Universal end plate, side ports open**



ISO size	A	C	E	F	O	P	Q	R	S	T	X	kg	Model
1	106	36	92	5,5	22	G3/8	G1/4	25	44	9	50	0,13	CQM/22152/3/28
2	120	46	102	6,5	29	G1/2	G1/4	31	58	7	58	0,23	CQM/22253/3/28

ISO size	A	C	E	F	O	P	R	S	T	kg	Model
1	106	36	92	5,5	22	G3/8	25	44	9	0,13	CQM/22152/3/31
2	120	46	102	6,5	29	G1/2	31	58	7	0,23	CQM/22253/3/31

Drill dimensions for opening ports

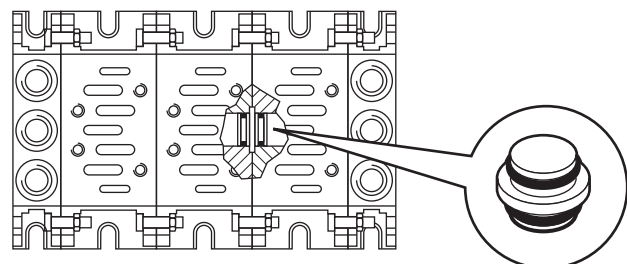
G1/4	Ø 8
G3/8	Ø 15
G1/2	Ø 15

Drill dimensions for opening ports

G1/4	Ø 8
G3/8	Ø 15
G1/2	Ø 15

**Blanking disc for ISO 1 and ISO 2 universal sub-bases**

ISO size	kg	Model
1	0,01	M/P43173
2	0,03	M/P43174



### Sandwich single pressure regulator plate with pressure regulator on port 1

Symbol	ISO size	Regulator on side	Operation	Inlet pressure max. (bar)	Pressure range (bar)	Weight (kg)	Model
	1	14	Membrane pressure regulator with relieving valve	16	0,5 ... 12	0,6	V71010-KB1
	1	12	Membrane pressure regulator with relieving valve	16	0,5 ... 12	0,6	V71011-KB1

Application:  
Pressure of port 1 can be regulated individually by using this intermediate plate.

Note:  
Adjustment knob has push to lock feature.

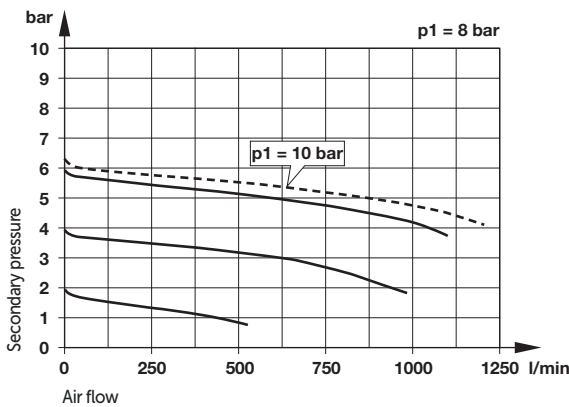
### Sandwich single pressure regulator plate with pressure regulator on port 2 or port 4

Symbol	ISO size	Regulated port	Operation	Inlet pressure max. (bar)	Pressure range (bar)	Weight (kg)	Model
	1	2	Membrane pressure regulator with relieving valve	16	0,5 ... 12	0,39	V71012-KB2
	1	4	Membrane pressure regulator with relieving valve	16	0,5 ... 12	0,39	V71012-KB3

Application:  
Pressure of port 2 and 4 can be regulated individually by using this intermediate plate.

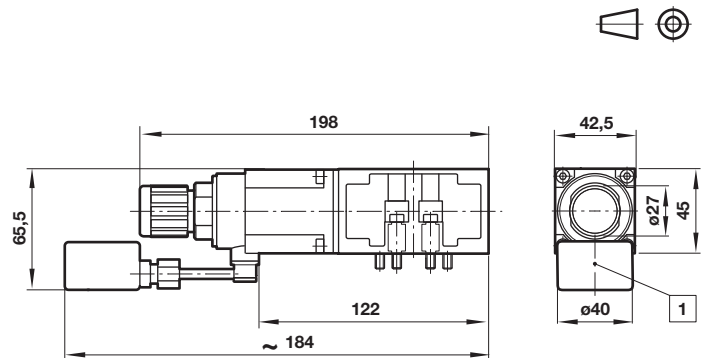
Note:  
Adjustment knob has push to lock feature.

### Flow characteristics (inlet pressure: 8 bar)



### Dimensions:

Dimensions in mm  
Projection/First angle



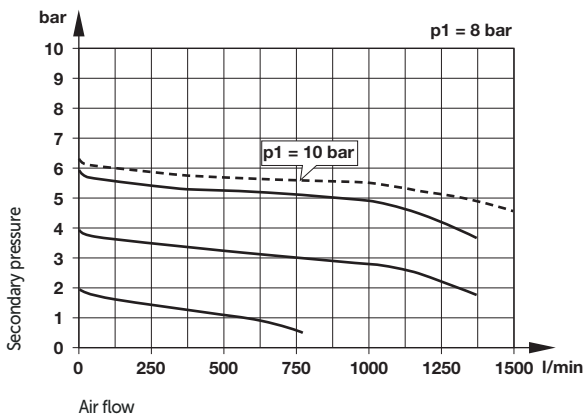
### Sandwich double pressure regulator plate with double pressure regulator on port 2 and 4

Symbol	ISO size	Regulated port	Operation	Inlet pressure max. (bar)	Pressure range (bar)	Weight (kg)	Model
	1	2 and 4	Membrane pressure regulator with relieving valve	16	0,5 ... 12	0,39	V71012-KB4

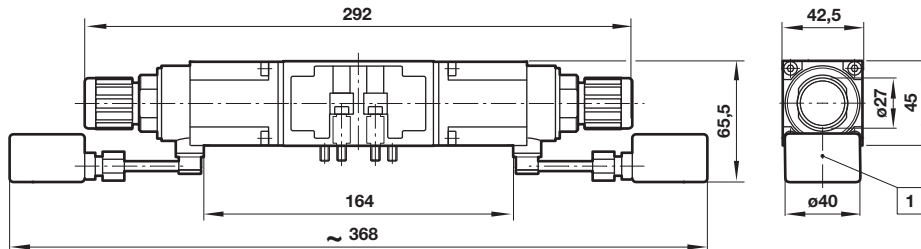
Application:  
Pressure of ports 2 and 4 can be regulated individually by using one of the intermediate plates.

Note:  
Adjustment knob has push to lock feature.

### Flow characteristics (inlet pressure: 8 bar)



### Dimensions:



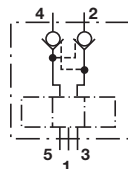
Dimensions in mm  
Projection/First angle



1 Gauge

## Accessories for ISO G parallel and NPT threads - NON ATEX

### Sandwich plate with check valves

Symbol	ISO	Design	Flow (l/min)	Operating pressure (bar)	Weight (kg)	Model
	1	Poppet valves	500	3 ... 8	0,45	FP7050
	3	Poppet valves	3400	3 ... 8	2,05	FP7070

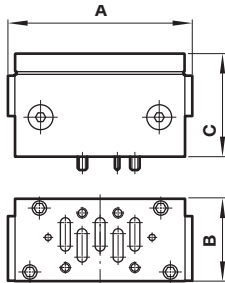
**Application:**  
With this type of intermediate plate together with a 5/3-way valve, center position open, a piston movement can be stopped in any desired position. This position will be kept during a long period.

**Note:**  
Metal to metal sealed spool and sleeve valves have always a small amount of leak because of its design. Therefore 5/3-way valves, center position closed, are only applicable for short stops.

**Caution:** Not suitable for safety applications!

### Dimensions

Dimensions in mm  
Projection/First angle



ISO	A	B	C	Model
1	96	42	52	FP7050
3	165	62	95	FP7070

### Warning

These products are intended for use in industrial compressed air systems only. Do not use these products where pressures and temperatures can exceed those listed under »**Technical features/data**«. Before using these products with fluids other than those specified, for non-industrial applications, life-support systems or other applications not within published specifications, consult Norgren. Through misuse, age, or malfunction, components used in fluid power systems can fail in various modes.

The system designer is warned to consider the failure modes of all component parts used in fluid power systems and to provide adequate safeguards to prevent personal injury or damage to equipment in the event of such failure.

System designers must provide a warning to end users in the system instructional manual if protection against a failure mode cannot be adequately provided.

System designers and end users are cautioned to review specific warnings found in instruction sheets packed and shipped with these products.